

**MODEL:
WAFER-KBN-i1**

**3.5" SBC with AMD Embedded G-Series SoC,
Dual PCIe GbE, VGA, LVDS, iDP, SATA 6Gb/s, USB 3.0,
iRIS-1010, PCIe Mini, HD Audio and RoHS**

User Manual

Revision

Date	Version	Changes
June 30, 2017	1.02	Modified Graphics Engine spec on page 8
August 27, 2015	1.01	Updated Section 1.5: Dimensions Updated Section 4.8: Chassis Installation
March 3, 2014	1.00	Initial release

Copyright

COPYRIGHT NOTICE

The information in this document is subject to change without prior notice in order to improve reliability, design and function and does not represent a commitment on the part of the manufacturer.

In no event will the manufacturer be liable for direct, indirect, special, incidental, or consequential damages arising out of the use or inability to use the product or documentation, even if advised of the possibility of such damages.

This document contains proprietary information protected by copyright. All rights are reserved. No part of this manual may be reproduced by any mechanical, electronic, or other means in any form without prior written permission of the manufacturer.

TRADEMARKS

All registered trademarks and product names mentioned herein are used for identification purposes only and may be trademarks and/or registered trademarks of their respective owners.

Manual Conventions

**WARNING**

Warnings appear where overlooked details may cause damage to the equipment or result in personal injury. Warnings should be taken seriously.

**CAUTION**

Cautionary messages should be heeded to help reduce the chance of losing data or damaging the product.

**NOTE**

These messages inform the reader of essential but non-critical information. These messages should be read carefully as any directions or instructions contained therein can help avoid making mistakes.

**HOT SURFACE**

This symbol indicates a hot surface that should not be touched without taking care.

Table of Contents

1 INTRODUCTION.....	1
1.1 INTRODUCTION.....	2
1.2 MODEL VARIATIONS	3
1.3 FEATURES.....	3
1.4 CONNECTORS	4
1.5 DIMENSIONS.....	5
1.6 DATA FLOW	7
1.7 TECHNICAL SPECIFICATIONS	8
2 PACKING LIST.....	11
2.1 ANTI-STATIC PRECAUTIONS	12
2.2 UNPACKING PRECAUTIONS.....	12
2.3 PACKING LIST.....	13
2.4 OPTIONAL ITEMS	14
3 CONNECTORS	16
3.1 PERIPHERAL INTERFACE CONNECTORS.....	17
3.1.1 <i>Layout</i>	17
3.1.2 <i>Peripheral Interface Connectors</i>	18
3.1.3 <i>External Interface Panel Connectors</i>	19
3.2 INTERNAL PERIPHERAL CONNECTORS	19
3.2.1 <i>+12V Power Connector</i>	20
3.2.2 <i>5 V SATA Power Connectors</i>	20
3.2.3 <i>Audio Connector</i>	21
3.2.4 <i>Battery Connector</i>	22
3.2.5 <i>Chassis Intrusion Connector</i>	23
3.2.6 <i>Digital I/O Connector</i>	24
3.2.7 <i>PC Connector</i>	25
3.2.8 <i>Internal DisplayPort Connector</i>	26
3.2.9 <i>IPMI LED Connector</i>	27

3.2.10 iRIS Module Slot	28
3.2.11 Keyboard and Mouse Connector.....	28
3.2.12 LAN LED Connectors	29
3.2.13 LVDS Backlight Control Connector.....	30
3.2.14 LVDS Connector	31
3.2.15 PCIe Mini Card Slot	33
3.2.16 Power and HDD LED Connector.....	34
3.2.17 Power Button Connector.....	35
3.2.18 Reset Button Connector	36
3.2.19 SATA 6Gb/s Connectors.....	37
3.2.20 Serial Port Connector, RS-232.....	38
3.2.21 Serial Port Connector, RS-422/485.....	39
3.2.22 SMBus Connector	40
3.2.23 SO-DIMM Connector.....	41
3.2.24 S/PDIF Connector	41
3.2.25 SPI Flash Connector.....	42
3.2.26 System Fan Connector	43
3.2.27 USB 2.0 Connectors.....	44
3.3 EXTERNAL INTERFACE CONNECTORS	45
3.3.1 Ethernet Connectors	45
3.3.2 USB 3.0 Ports.....	46
3.3.3 Serial Port Connector (COM1)	46
3.3.4 VGA Connector	47
4 INSTALLATION	49
4.1 ANTI-STATIC PRECAUTIONS	50
4.2 INSTALLATION CONSIDERATIONS.....	50
4.3 SO-DIMM INSTALLATION	51
4.4 iRIS-1010 MODULE INSTALLATION.....	52
4.5 FULL-SIZE PCIe MINI CARD INSTALLATION	54
4.6 HALF-SIZE PCIe MINI CARD INSTALLATION.....	56
4.7 SYSTEM CONFIGURATION.....	59
4.7.1 AT/ATX Power Mode Selection.....	59
4.7.2 Clear CMOS Button.....	59
4.7.3 LVDS Panel Resolution Selection	60

WAFER-KBN-i1 3.5" SBC

4.7.4 LVDS Voltage Selection.....	61
4.8 CHASSIS INSTALLATION.....	62
4.8.1 Heat Sink Enclosure.....	62
4.8.2 Motherboard Installation.....	63
4.9 INTERNAL PERIPHERAL DEVICE CONNECTIONS.....	64
4.9.1 AT/ATX Power Connection.....	64
4.9.2 Audio Kit Installation.....	65
4.9.3 LVDS LCD Installation.....	66
4.9.4 RS-232 Cable Installation.....	68
4.9.5 SATA Drive Connection.....	69
5 BIOS.....	71
5.1 INTRODUCTION.....	72
5.1.1 Starting Setup.....	72
5.1.2 Using Setup.....	72
5.1.3 Getting Help.....	73
5.1.4 Unable to Reboot after Configuration Changes.....	73
5.1.5 BIOS Menu Bar.....	73
5.2 MAIN.....	74
5.3 ADVANCED.....	75
5.3.1 ACPI Settings.....	76
5.3.2 RTC Wake Settings.....	76
5.3.3 CPU Configuration.....	78
5.3.3.1 Node 0 Information.....	79
5.3.4 IDE Configuration.....	79
5.3.5 USB Configuration.....	80
5.3.6 F81866 Super IO Configuration.....	81
5.3.6.1 Serial Port n Configuration.....	82
5.3.7 F81866 H/W Monitor.....	86
5.3.7.1 Smart Fan Mode Configuration.....	86
5.3.8 Serial Port Console Redirection.....	88
5.4 CHIPSET.....	90
5.4.1 Southbridge Configuration.....	91
5.4.1.1 SB SATA Configuration.....	92
5.4.1.2 SB HD Azalia Configuration.....	93

5.4.2 Northbridge Configuration	94
5.5 BOOT	95
5.6 SECURITY	97
5.7 SAVE & EXIT	97
6 SOFTWARE DRIVERS	99
6.1 AVAILABLE SOFTWARE DRIVERS	100
6.2 STARTING THE DRIVER PROGRAM	100
6.3 GRAPHICS DRIVER INSTALLATION	101
6.4 LAN DRIVER INSTALLATION	104
6.5 AUDIO DRIVER INSTALLATION	108
A REGULATORY COMPLIANCE	110
B BIOS OPTIONS	112
C TERMINOLOGY	115
D DIGITAL I/O INTERFACE	119
D.1 INTRODUCTION	120
D.2 ASSEMBLY LANGUAGE SAMPLE 1	121
D.3 ASSEMBLY LANGUAGE SAMPLE 2	121
E HAZARDOUS MATERIALS DISCLOSURE	122

List of Figures

Figure 1-1: WAFER-KBN-i1	2
Figure 1-2: Connectors	4
Figure 1-3: WAFER-KBN-i1 Dimensions (mm)	6
Figure 1-4: Data Flow Diagram.....	7
Figure 3-1: Peripheral Interface Connectors	17
Figure 3-2: Power Connector Location	20
Figure 3-3: 5 V SATA Power Connector Locations	21
Figure 3-4: Audio Connector Location	22
Figure 3-5: Battery Connector Location.....	23
Figure 3-6: Chassis Intrusion Connector Location.....	24
Figure 3-7: Digital I/O Connector Location	24
Figure 3-8: I ² C Connector Location	25
Figure 3-9: Internal DisplayPort Connector Location.....	26
Figure 3-10: IPMI LED Connector Location	27
Figure 3-11: iRIS Module Slot Location.....	28
Figure 3-12: Keyboard and Mouse Connector Location.....	29
Figure 3-13: LAN LED Connector Locations	30
Figure 3-14: LVDS Backlight Control Connector Location	31
Figure 3-15: LVDS Connector Location.....	32
Figure 3-16: PCIe Mini Card Slot Location.....	33
Figure 3-17: Power and HDD LED Connector Location.....	35
Figure 3-18: Power Button Connector Location.....	36
Figure 3-19: Reset Button Connector Location.....	36
Figure 3-20: SATA 6Gb/s Connector Locations	37
Figure 3-21: RS-232 Serial Port Connector Locations.....	38
Figure 3-22: RS-422/485 Serial Port Connector Location.....	39
Figure 3-23: SMBus Connector Location	40
Figure 3-24: SO-DIMM Connector Location	41
Figure 3-25: S/PDIF Connector Location	42
Figure 3-26: SPI Flash Connector Location.....	43

Figure 3-27: System Fan Connector Location.....	44
Figure 3-28: USB 2.0 Connector Locations	44
Figure 3-29: External Interface Connectors.....	45
Figure 3-30: Serial Port	47
Figure 3-31: VGA Connector	48
Figure 4-1: SO-DIMM Installation	52
Figure 4-2: Removing the Retention Screw for the iRIS-1010 Module.....	53
Figure 4-3: Inserting the iRIS-1010 Module into the Slot at an Angle	53
Figure 4-4: Securing the iRIS-1010 Module	54
Figure 4-5: Removing the Retention Screw	55
Figure 4-6: Inserting the Full-size PCIe Mini Card into the Slot at an Angle	55
Figure 4-7: Securing the Full-size PCIe Mini Card	56
Figure 4-8: Removing the Standoff.....	57
Figure 4-9: Installing the Standoff	57
Figure 4-10: Inserting the Half-size PCIe Mini Card into the Slot at an Angle.....	58
Figure 4-11: Securing the Half-size PCIe Mini Card	58
Figure 4-12: AT/ATX Power Mode Switch Location	59
Figure 4-13: Clear CMOS Button Location.....	59
Figure 4-14: LVDS Panel Resolution Selection Switch Location	60
Figure 4-15: LVDS Voltage Selection Jumper Location	61
Figure 4-16: Heat Sink Retention Screws	62
Figure 4-17: Motherboard Installation Example	63
Figure 4-18: Power Cable to Motherboard Connection	64
Figure 4-19: Connect Power Cable to Power Supply.....	65
Figure 4-20: Audio Kit Cable Connection	66
Figure 4-21: LVDS Connector.....	67
Figure 4-22: Backlight Inverter Connection.....	68
Figure 4-23: RS-232 Cable Installation	69
Figure 4-24: SATA Drive Cable Connection.....	70
Figure 6-1: Graphics Driver Welcome Screen	101
Figure 6-2: Select Installation Operation Screen	102
Figure 6-3: Select Express or Custom Install Screen.....	102
Figure 6-4: Graphics Driver License Agreement.....	103
Figure 6-5: Graphics Driver Setup Operations	103
Figure 6-6: Graphics Driver Installation Finished Screen	104

WAFER-KBN-i1 3.5" SBC

Figure 6-7: Reboot Screen.....	104
Figure 6-8: Intel® Network Connection Menu.....	105
Figure 6-9: LAN Driver Welcome Screen.....	105
Figure 6-10: LAN Driver License Agreement.....	106
Figure 6-11: LAN Driver Setup Options.....	106
Figure 6-12: LAN Driver Installation	107
Figure 6-13: LAN Driver Installation Complete.....	107
Figure 6-14: Audio Driver Welcome Screen.....	108
Figure 6-15: Audio Driver Installation.....	109
Figure 6-16: Audio Driver Installation Complete	109

List of Tables

Table 1-1: WAFER-KBN-i1 Model Variations	3
Table 1-2: Technical Specifications.....	10
Table 2-1: Packing List.....	14
Table 2-2: Optional Items.....	15
Table 3-1: Peripheral Interface Connectors	19
Table 3-2: Rear Panel Connectors	19
Table 3-3: Power Connector Pinouts.....	20
Table 3-4: 5 V SATA Power Connector Pinouts	21
Table 3-5: Audio Connector Pinouts	22
Table 3-6: Battery Connector Pinouts	23
Table 3-7: Chassis Intrusion Connector Pinouts	24
Table 3-8: Digital I/O Connector Pinouts.....	25
Table 3-9: I ² C Connector Pinouts.....	26
Table 3-10: Internal DisplayPort Connector Pinouts	27
Table 3-11: IPMI LED Connector Pinouts.....	27
Table 3-12: Keyboard and Mouse Connector Pinouts.....	29
Table 3-13: LAN LED Connector Pinouts.....	30
Table 3-14: LVDS Backlight Control Connector Pinouts.....	31
Table 3-15: LVDS Connector Pinouts.....	32
Table 3-16: PCIe Mini Card Slot Pinouts	34
Table 3-17: Power and HDD LED Connector Pinouts	35
Table 3-18: Power Button Connector Pinouts	36
Table 3-19: Reset Button Connector Pinouts	37
Table 3-20: SATA 6Gb/s Drive Connector Pinouts.....	38
Table 3-21: RS-232 Serial Port Connector Pinouts	38
Table 3-22: RS-422/485 Serial Port Connector Pinouts	39
Table 3-23: DB-9 RS-422/485 Pinouts.....	40
Table 3-24: SMBus Connector Pinouts	41
Table 3-25: S/PDIF Connector Pinouts.....	42
Table 3-26: SPI Flash Connector Pinouts	43

WAFER-KBN-i1 3.5" SBC

Table 3-27: System Fan Connector Pinouts	44
Table 3-28: USB 2.0 Connector Pinouts	45
Table 3-29: LAN Pinouts	45
Table 3-30: USB 3.0 Port Pinouts	46
Table 3-31: Serial Port Pinouts.....	47
Table 3-32: VGA Connector Pinouts.....	47
Table 4-1: AT/ATX Power Mode Switch Settings.....	59
Table 4-2: LVDS Panel Resolution Selection.....	60
Table 4-3: LVDS Voltage Selection Jumper Settings.....	61
Table 5-1: BIOS Navigation Keys	73

BIOS Menus

BIOS Menu 1: Main	74
BIOS Menu 2: Advanced	75
BIOS Menu 3: ACPI Settings	76
BIOS Menu 4: RTC Wake Settings	77
BIOS Menu 5: CPU Configuration	78
BIOS Menu 6: Node 0 Information	79
BIOS Menu 7: IDE Configuration	79
BIOS Menu 8: USB Configuration	80
BIOS Menu 9: F81866 Super IO Configuration	81
BIOS Menu 10: Serial Port n Configuration Menu	82
BIOS Menu 11: F81866 H/W Monitor	86
BIOS Menu 12: Smar Fan Mode Configuration	87
BIOS Menu 13: Serial Port Console Redirection	88
BIOS Menu 14: Chipset	90
BIOS Menu 15: Southbridge Configuration	91
BIOS Menu 16: SB SATA Configuration	92
BIOS Menu 17: SB HD Azalia Configuration Menu	93
BIOS Menu 18: Northbridge Configuration	94
BIOS Menu 19: Boot	95
BIOS Menu 20: Security	97
BIOS Menu 21: Save & Exit	98

Chapter

1

Introduction

1.1 Introduction



Figure 1-1: WAFER-KBN-i1

The WAFER-KBN-i1 3.5" SBC is an AMD Embedded G-Series SoC platform that supports one 1600 MHz or 1333 MHz DDR3 SO-DIMM memory. The WAFER-KBN-i1 provides two GbE interfaces through the Intel® I211 and the Intel® I210 GbE controllers. In addition, the WAFER-KBN-i1 includes VGA, LVDS and iDP interfaces for dual independent display. Two USB 3.0 on the rear panel, four USB 2.0 by pin headers, two SATA 6Gb/s, three RS-232, one RS-422/485, one PCIe Mini card slot and one audio connector provide flexible expansion options.

WAFER-KBN-i1 3.5" SBC

1.2 Model Variations

The model variations of the WAFER-KBN-i1 are listed below.

Model No.	SoC
WAFER-KBN-i1-4151-R10	AMD GX-415GA on-board SoC (1.5 GHz, quad-core, 2 MB cache, TDP=15W)
WAFER-KBN-i1-2101-R10	AMD GX-210HA on-board SoC (1.0 GHz, dual-core, 1 MB cache, TDP=9W)

Table 1-1: WAFER-KBN-i1 Model Variations

1.3 Features

Some of the WAFER-KBN-i1 motherboard features are listed below:

- 3.5" form factor
- AMD Embedded G-Series SoC
- Outstanding graphics performance and power saving through integrated advanced graphics and hardware
- Dual independent display by VGA, LVDS and iDP interfaces
- 18/24-bit dual-channel LVDS for high resolution panel
- Supports IPMI 2.0 via the optional iRIS-1010 module
- Two Intel® PCIe GbE connectors
- One PCIe Mini card slot with mSATA support
- High Definition Audio
- RoHS compliant

1.4 Connectors

The connectors on the WAFER-KBN-i1 are shown in the figures below.

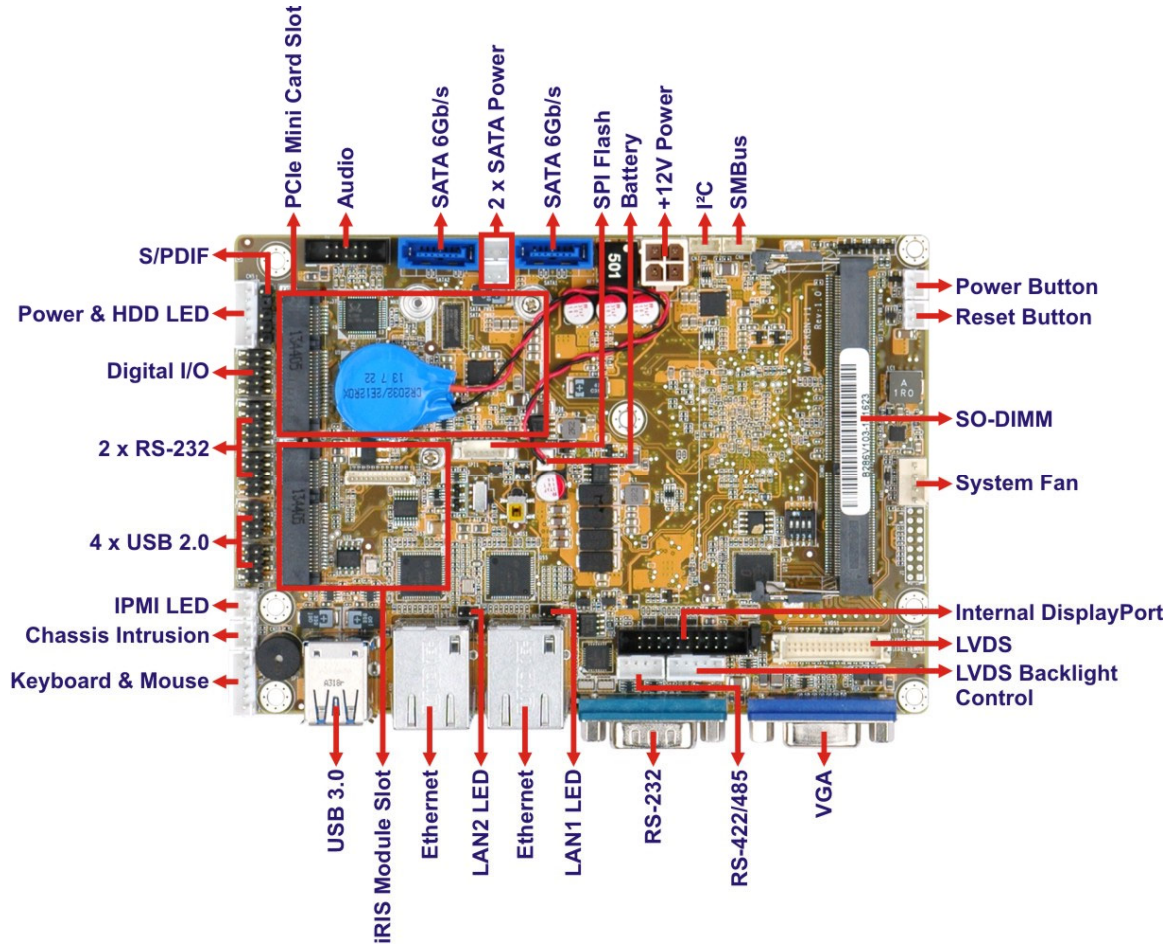
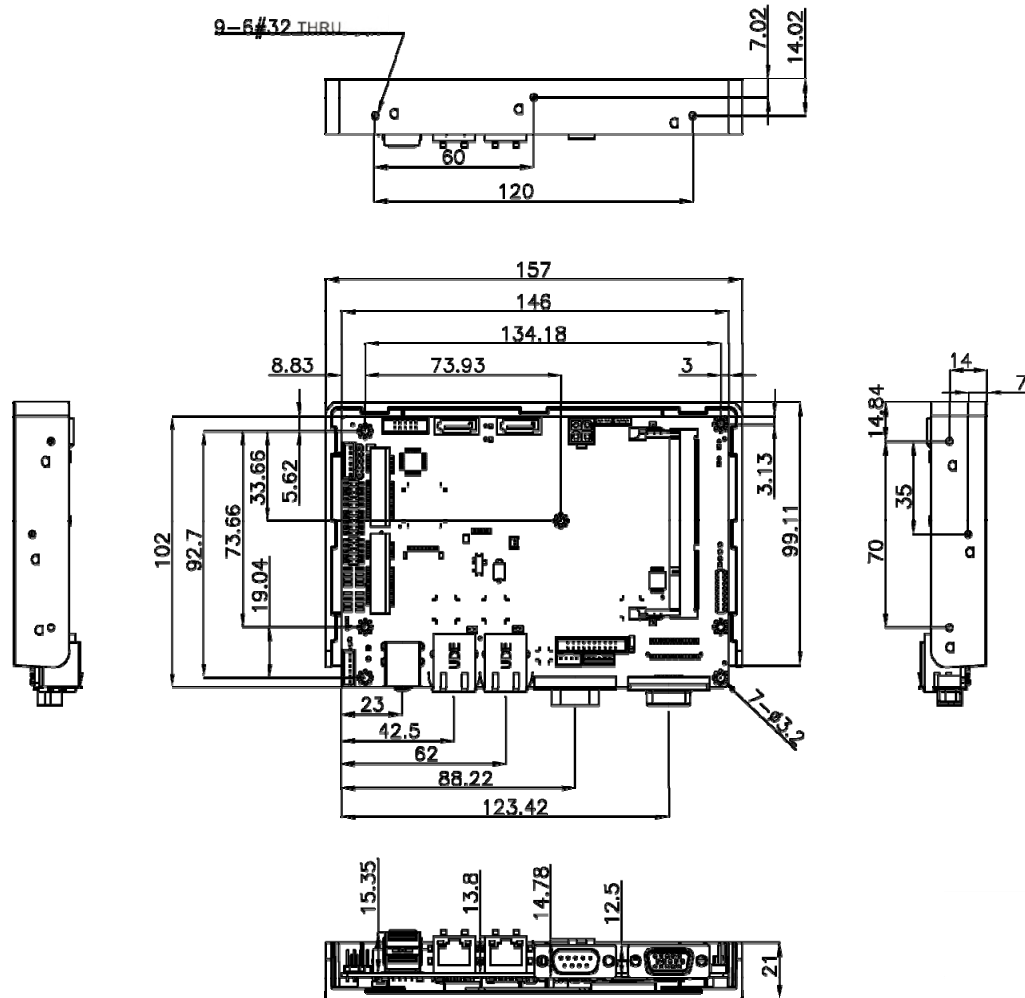


Figure 1-2: Connectors

WAFER-KBN-i1 3.5" SBC

1.5 Dimensions

The main dimensions of the WAFER-KBN-i1 are shown in the diagram below.



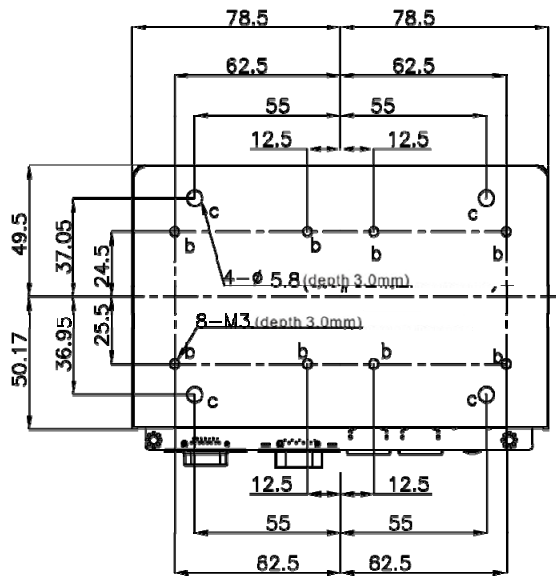


Figure 1-3: WAFER-KBN-i1 Dimensions (mm)

WAFER-KBN-i1 3.5" SBC

1.6 Data Flow

Figure 1-4 shows the data flow between the system chipset, the CPU and other components installed on the motherboard.

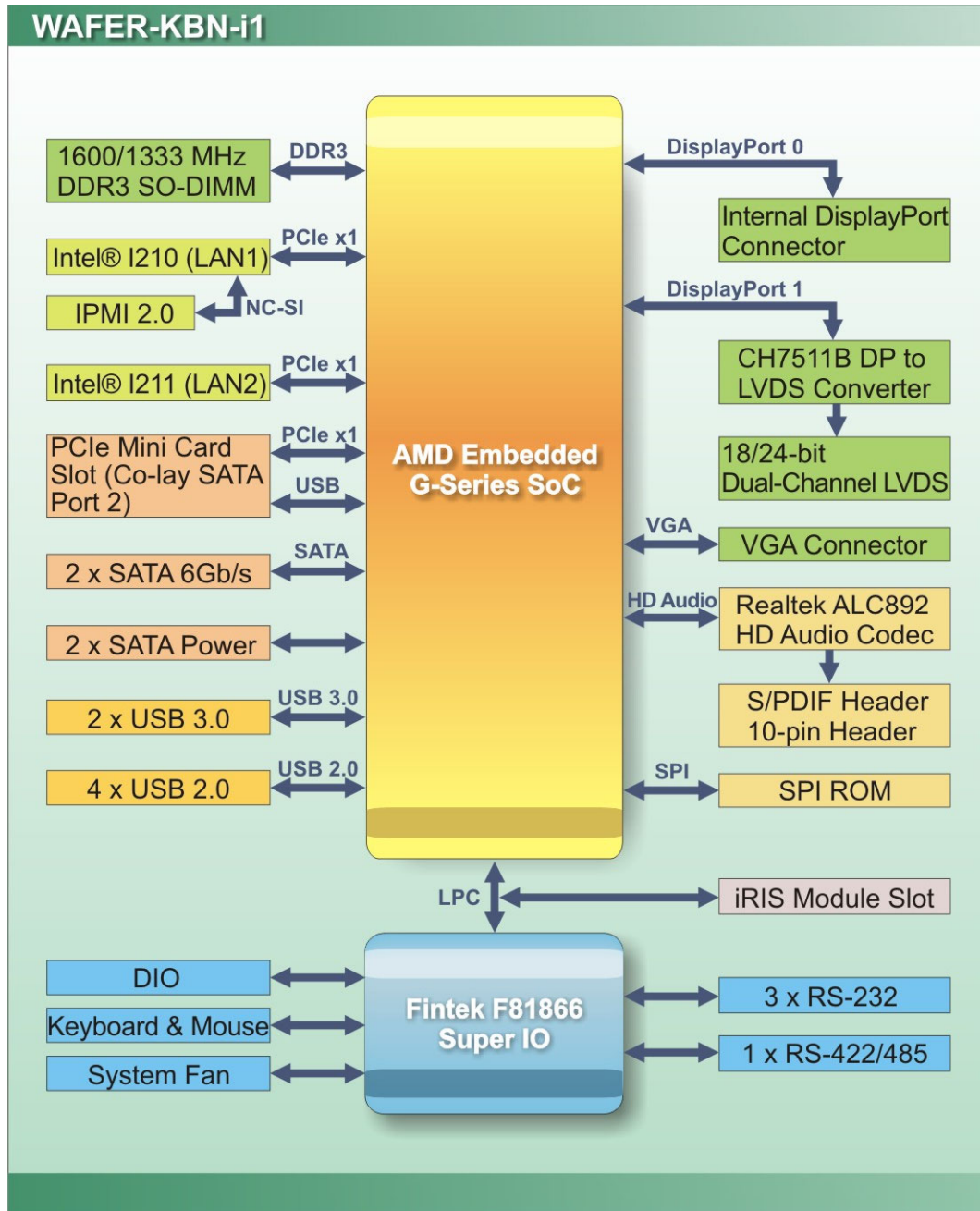


Figure 1-4: Data Flow Diagram

1.7 Technical Specifications

The WAFER-KBN-i1 technical specifications are listed in **Table 1-2**.

Specification/Model	WAFER-KBN-i1
Form Factor	3.5"
SoC	<p>AMD GX-415GA on-board SoC (1.5GHz, quad-core, 2 MB cache, TDP=15W)</p> <p>AMD GX-210HA on-board SoC (1.0 GHz, dual-core, 1 MB cache, TDP=9W)</p> <p>AMD GX-420CA on-board SoC (2.0GHz, quad-core, 2 MB cache, TDP=25W) (by request)</p> <p>AMD GX-217GA on-board SoC (1.65 GHz, dual-core, 1 MB cache, TDP=15W) (by request)</p>
Memory	One 204-pin 1600/1333 MHz unbuffered DDR3/DDR3L SDRAM SO-DIMM supported (up to 8 GB)
Graphics Engine	<p>For GX-415GA: Radeon™ HD 8330E, 500 MHz GPU frequency</p> <p>For GX-210HA: Radeon™ HD 8210E, 450 MHz GPU frequency</p> <p>For GX-420CA: Radeon™ HD 8400E, 600 MHz GPU frequency</p> <p>For GX-217GA: Radeon™ HD 8280E, 300 MHz GPU frequency</p> <p>Supports DirectX 11.1, OpenGL 4.1 and OpenCL 1.2</p> <p>UVD 4.2 decode for H.264, MPEG2/4, VC1 and MVC</p> <p>VCE 2.0 encode for H.264 and VCE</p>
Display Output	<p>Dual independent display support</p> <p>One VGA (up to 2048 x 1536, 60 Hz)</p> <p>One 18/24-bit dual-channel LVDS by CH7511B DP to LVDS converter (up to 1920 x 1200, 60 Hz)</p> <p>One iDP interface for HDMI, LVDS, VGA, DVI and DisplayPort (up to 2560 x 1600, 60 Hz)</p>
BIOS	AMI UEFI BIOS
Ethernet Controllers	<p>LAN1: Intel® I210 PCIe GbE controller with NC-SI support</p> <p>LAN2: Intel® I211 PCIe GbE controller</p>

WAFER-KBN-i1 3.5" SBC

Audio	<p>Realtek ALC892 HD Audio codec</p> <p>One S/PDIF connector for digital audio (5-pin header)</p> <p>One analog audio connector (10-pin box header)</p>
Super I/O Controller	Fintek F81866
Watchdog Timer	Software programmable, supports 1~255 sec. system reset
Expansion	One full-size/half-size PCIe Mini card slot with mSATA support (co-lay SATA port 2)
IPMI 2.0	One iRIS module slot
IPMI LED	One 2-pin wafer connector for IPMI LED
Chassis Intrusion	One 2-pin wafer connector
Digital I/O	8-bit, 4-bit input/4-bit output
Fan Connector	One system fan connector (4-pin wafer)
Front Panel	<p>One power & HDD LED connector (6-pin wafer)</p> <p>One power button connector (2-pin wafer)</p> <p>One reset button connector (2-pin wafer)</p>
Keyboard and Mouse	One 6-pin wafer connector for PS/2 keyboard and mouse
LAN LEDs	Two 2-pin headers for LAN1 LED and LAN2 LED (link signal)
Serial ATA	<p>Two SATA 6Gb/s connectors</p> <p>Two 5 V SATA power connectors (2-pin wafer)</p>
Serial Ports	<p>One external RS-232 serial port</p> <p>Two RS-232 serial ports via internal pin headers</p> <p>One RS-422/485 via internal 4-pin wafer connector</p>
SMBus	One 4-pin wafer connector
I²C	One 4-pin wafer connector
USB	<p>Two USB 3.0 ports on rear panel</p> <p>Four USB 2.0 ports by pin headers</p>
Power Supply	<p>12V only DC input</p> <p>AT/ATX power support</p> <p>One Internal 4-pin (2x2) power connector</p>

Power Consumption	+12V@2.12A (AMD GX-415GA SoC with one 4 GB 1333 MHz DDR3 SO-DIMM)
Operating Temperature	0°C ~ 60°C
Storage Temperature	-10°C ~ 85°C
Operating Humidity	5% ~ 95% (non-condensing)
Dimensions	146 mm x 102 mm
Weight (GW/NW)	600 g/250 g

Table 1-2: Technical Specifications

Chapter

2

Packing List

2.1 Anti-static Precautions



WARNING!

Static electricity can destroy certain electronics. Make sure to follow the ESD precautions to prevent damage to the product, and injury to the user.

Make sure to adhere to the following guidelines:

- **Wear an anti-static wristband:** Wearing an anti-static wristband can prevent electrostatic discharge.
- **Self-grounding:** Touch a grounded conductor every few minutes to discharge any excess static buildup.
- **Use an anti-static pad:** When configuring any circuit board, place it on an anti-static mat.
- **Only handle the edges of the PCB:** Don't touch the surface of the motherboard. Hold the motherboard by the edges when handling.

2.2 Unpacking Precautions

When the WAFER-KBN-i1 is unpacked, please do the following:

- Follow the antistatic guidelines above.
- Make sure the packing box is facing upwards when opening.
- Make sure all the packing list items are present.

WAFER-KBN-i1 3.5" SBC







2.3 Packing List



NOTE:

If any of the components listed in the checklist below are missing, do not proceed with the installation. Contact the IEI reseller or vendor the WAFER-KBN-i1 was purchased from or contact an IEI sales representative directly by sending an email to sales@ieiworld.com.

The WAFER-KBN-i1 is shipped with the following components:

Quantity	Item and Part Number	Image
1	WAFER-KBN-i1 SBC with heat sink enclosure	
2	SATA signal and power cable (P/N: 32801-000201-100-RS)	
1	Audio cable (P/N: 32007-002600-100-RS)	
1	RS-232 cable (P/N: 19800-000300-200-RS)	
1	Power cable (P/N: 32100-087100-RS)	
1	Utility CD	



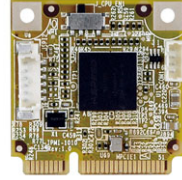




Quantity	Item and Part Number	Image
1	One Key Recovery CD	
1	Quick installation guide	

Table 2-1: Packing List

2.4 Optional Items

These optional items are available.

Item and Part Number	Image
iRIS-1010 module, IPMI 2.0 adapter card with AST1010 BMC chip for PCIe Mini socket interface (P/N: iRIS-1010-R10)	
Dual-port USB 2.0 cable (P/N: 32000-070301-RS)	
RS-422/485 cable (200 mm) (P/N: 32205-003800-100-RS)	
PS/2 keyboard and mouse Y cable (P/N: 32006-001100-100-RS)	
DisplayPort to 24-bit dual-channel LVDS converter board for IEI iDP connector (P/N: DP-LVDS-R10)	

WAFER-KBN-i1 3.5" SBC





Item and Part Number	Image
DisplayPort to HDMI converter board for IEI iDP connector (P/N: DP-HDMI-R10)	
DisplayPort to VGA converter board for IEI iDP connector (P/N: DP-VGA-R10)	
DisplayPort to DVI-D converter board for IEI iDP connector (P/N: DP-DVI-R10)	
DisplayPort to DisplayPort converter board for IEI iDP connector (P/N: DP-DP-R10)	

Table 2-2: Optional Items

Chapter

3

Connectors

WAFER-KBN-i1 3.5" SBC

3.1 Peripheral Interface Connectors

This chapter details all the peripheral interface connectors.

3.1.1 Layout

The figures below show all the peripheral interface connectors.

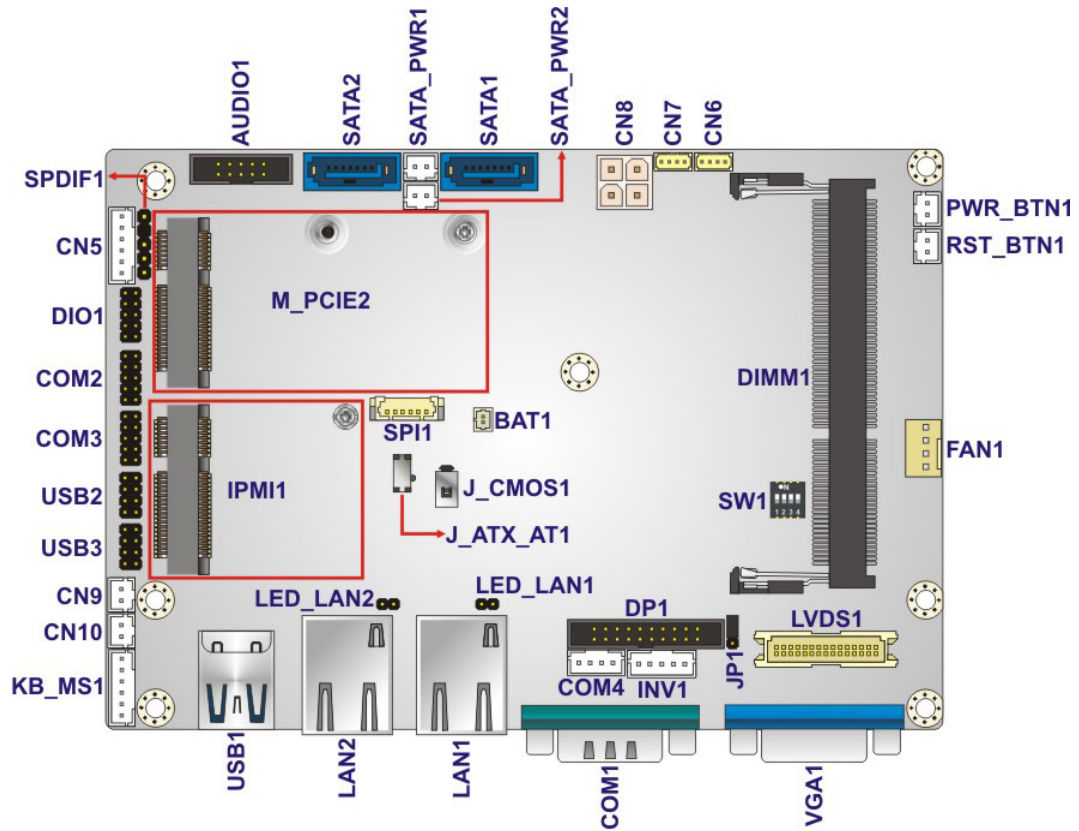


Figure 3-1: Peripheral Interface Connectors

3.1.2 Peripheral Interface Connectors

The table below shows a list of the peripheral interface connectors on the WAFER-KBN-i1. Detailed descriptions of these connectors can be found below.

Connector	Type	Label
+12V power connector	4-pin Molex power connector	CN8
5 V SATA power connectors	2-pin wafer	SATA_PWR1, SATA_PWR2
Audio connector	10-pin box header	AUDIO1
Battery connector	2-pin wafer	BAT1
Chassis intrusion connector	2-pin wafer	CN10
Digital I/O connector	10-pin header	DIO1
I ² C connector	4-pin wafer	CN7
Internal DisplayPort connector	20-pin box header	DP1
IPMI LED connector	2-pin wafer	CN9
iRIS module slot	iRIS module slot	IPMI1
Keyboard and mouse connector	6-pin wafer	KB_MS1
LAN1 LED connector	2-pin header	LED_LAN1
LAN2 LED connector	2-pin header	LED_LAN2
LVDS backlight control connector	5-pin wafer	INV1
LVDS connector	30-pin crimp	LVDS1
PCIe Mini card slot	PCIe Mini card slot	M_PCIE2
Power & HDD LED connector	6-pin wafer	CN5
Power button connector	2-pin wafer	PWR_BTN1
Reset button connector	2-pin wafer	RST_BTN1
SATA 6Gb/s connectors	7-pin SATA connector	SATA1, SATA2
Serial port, RS-232	10-pin header	COM2, COM3

WAFER-KBN-i1 3.5" SBC

Connector	Type	Label
Serial port, RS-422/485	4-pin wafer	COM4
SMBus connector	4-pin wafer	CN6
SO-DIMM connector	204-pin DDR3 SO-DIMM connector	DIMM1
S/PDIF connector	5-pin header	SPDIF1
SPI flash connector	6-pin wafer	SPI1
System fan connector	4-pin wafer	FAN1
USB 2.0 connectors	8-pin header	USB2, USB3

Table 3-1: Peripheral Interface Connectors

3.1.3 External Interface Panel Connectors

The table below lists the rear panel connectors on the WAFER-KBN-i1. Detailed descriptions of these connectors can be found in a later section.

Connector	Type	Label
Ethernet connectors	RJ-45	LAN1, LAN2
USB 3.0 ports	Dual USB 3.0 port	USB1
RS-232 serial port	Male DB-9	COM1
VGA connector	15-pin female	VGA1

Table 3-2: Rear Panel Connectors

3.2 Internal Peripheral Connectors

Internal peripheral connectors are found on the motherboard and are only accessible when the motherboard is outside of the chassis. This section has complete descriptions of all the internal peripheral connectors on the WAFER-KBN-i1.

3.2.1 +12V Power Connector

- CN Label:** CN8
- CN Type:** 4-pin Molex power connector
- CN Location:** See **Figure 3-2**
- CN Pinouts:** See **Table 3-3**

The power connector is connected to an external power supply and supports +12V power input. Power is provided to the system, from the power supply through this connector.

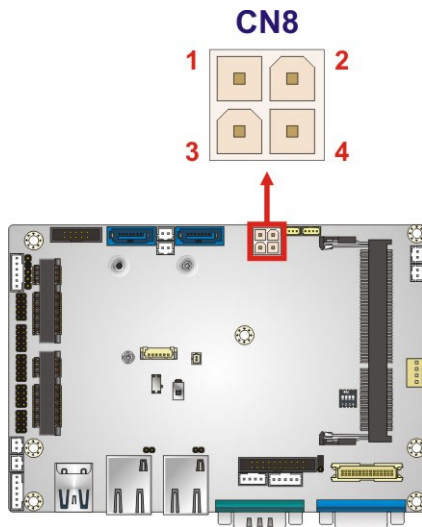


Figure 3-2: Power Connector Location

Pin	Description	Pin	Description
1	GND	2	GND
3	+12V	4	+12V

Table 3-3: Power Connector Pinouts

3.2.2 5 V SATA Power Connectors

- CN Label:** SATA_PWR1, SATA_PWR2
- CN Type:** 2-pin wafer
- CN Location:** See **Figure 3-3**
- CN Pinouts:** See **Table 3-4**

WAFER-KBN-i1 3.5" SBC

Use the 5 V SATA power connectors to connect to SATA device power connections.

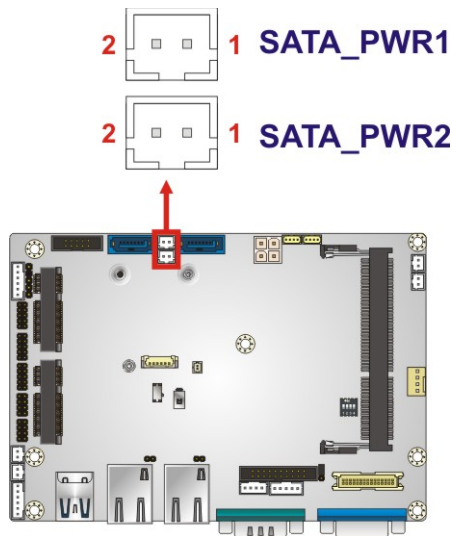


Figure 3-3: 5 V SATA Power Connector Locations

Pin	Description
1	+5V
2	GND

Table 3-4: 5 V SATA Power Connector Pinouts

3.2.3 Audio Connector

- CN Label:** AUDIO1
- CN Type:** 10-pin box header
- CN Location:** See **Figure 3-4**
- CN Pinouts:** See **Table 3-5**

This connector connects to speakers, a microphone and an audio input.

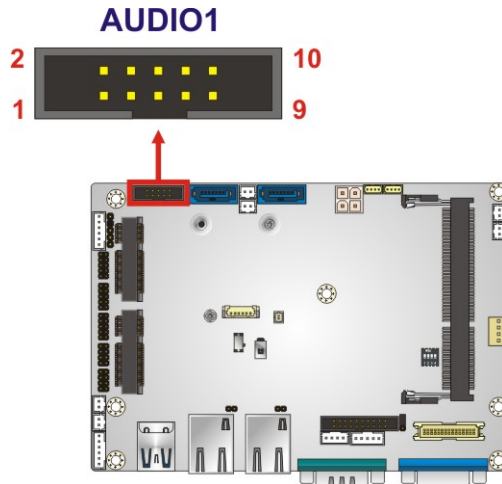


Figure 3-4: Audio Connector Location

Pin	Description	Pin	Description
1	SPK_R	2	LINE1_R
3	AUD_GND	4	AUD_GND
5	SPK_L	6	LINE1_L
7	AUD_GND	8	AUD_GND
9	MIC1_R	10	MIC1_L

Table 3-5: Audio Connector Pinouts

3.2.4 Battery Connector



CAUTION:

Risk of explosion if battery is replaced by an incorrect type. Only certified engineers should replace the on-board battery.

Dispose of used batteries according to instructions and local regulations.

- CN Label:** **BAT1**
- CN Type:** 2-pin wafer
- CN Location:** See **Figure 3-5**
- CN Pinouts:** See **Table 3-6**

WAFER-KBN-i1 3.5" SBC

This is connected to the system battery. The battery provides power to the system clock to retain the time when power is turned off.

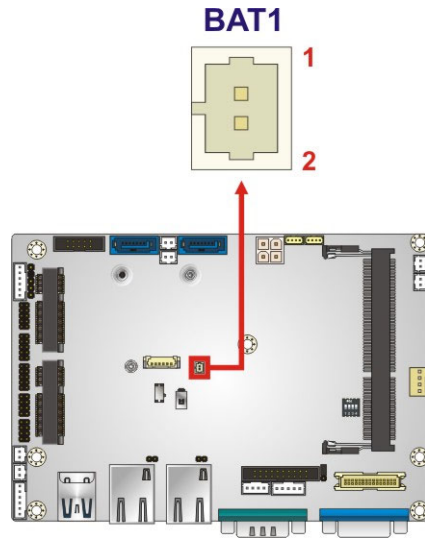


Figure 3-5: Battery Connector Location

Pin	Description
1	VBATT
2	GND

Table 3-6: Battery Connector Pinouts

3.2.5 Chassis Intrusion Connector

- CN Label:** CN10
- CN Type:** 2-pin wafer
- CN Location:** See **Figure 3-6**
- CN Pinouts:** See **Table 3-7**

The chassis intrusion connector is for a chassis intrusion detection sensor or switch that detects if a chassis component is removed or replaced.

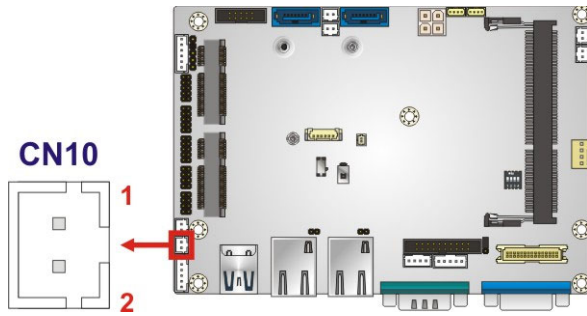


Figure 3-6: Chassis Intrusion Connector Location

Pin	Description
1	Pull high to +3.3V_ALW
2	CHASSIS OPEN#

Table 3-7: Chassis Intrusion Connector Pinouts

3.2.6 Digital I/O Connector

- CN Label:** DIO1
- CN Type:** 10-pin header
- CN Location:** See **Figure 3-7**
- CN Pinouts:** See **Table 3-8**

The digital I/O connector provides programmable input and output for external devices. The digital I/O provides 4-bit output and 4-bit input.

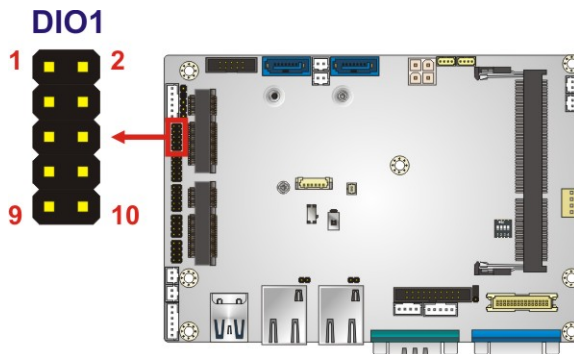


Figure 3-7: Digital I/O Connector Location

WAFER-KBN-i1 3.5" SBC

Pin	Description	Pin	Description
1	GND	2	VCC
3	Output 3	4	Output 2
5	Output 1	6	Output 0
7	Input 3	8	Input 2
9	Input 1	10	Input 0

Table 3-8: Digital I/O Connector Pinouts

3.2.7 I²C Connector

- CN Label:** CN7
- CN Type:** 4-pin wafer
- CN Location:** See **Figure 3-8**
- CN Pinouts:** See **Table 3-9**

The I²C connector is used to connect I²C-bus devices to the mainboard.

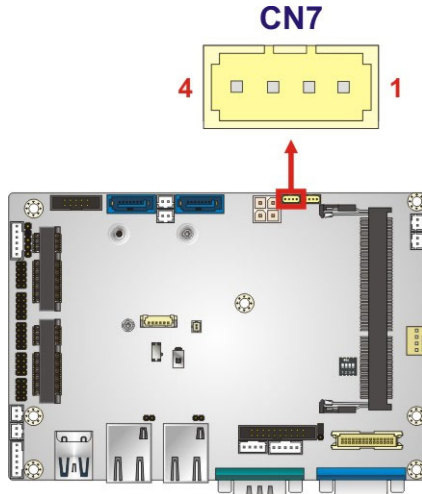


Figure 3-8: I²C Connector Location

Pin	Description
1	GND
2	I ² C DATA
3	I ² C CLK
4	+5V

Table 3-9: I²C Connector Pinouts

3.2.8 Internal DisplayPort Connector

- CN Label:** DP1
- CN Type:** 20-pin box header
- CN Location:** See **Figure 3-9**
- CN Pinouts:** See **Table 3-10**

The DisplayPort connector supports HDMI, LVDS, VGA, DVI and DisplayPort graphics interfaces with up to 2560x1600 resolution.

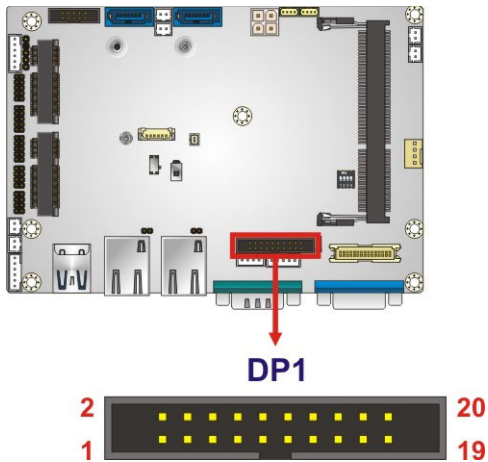


Figure 3-9: Internal DisplayPort Connector Location

Pin	Description	Pin	Description
1	HPD	2	AUX+
3	GND	4	AUX-
5	CAD	6	GND
7	GND	8	Lane2+
9	Lane3+	10	Lane2-

WAFER-KBN-i1 3.5" SBC

Pin	Description	Pin	Description
11	Lane3-	12	GND
13	GND	14	Lane0+
15	Lane1+	16	Lane0-
17	Lane1-	18	VCC3
19	VCC5	20	N/C

Table 3-10: Internal DisplayPort Connector Pinouts

3.2.9 IPMI LED Connector

- CN Label:** CN9
- CN Type:** 2-pin wafer
- CN Location:** See **Figure 3-10**
- CN Pinouts:** See **Table 3-11**

The IPMI LED connector is used to connect to the IPMI LED indicator on the chassis.

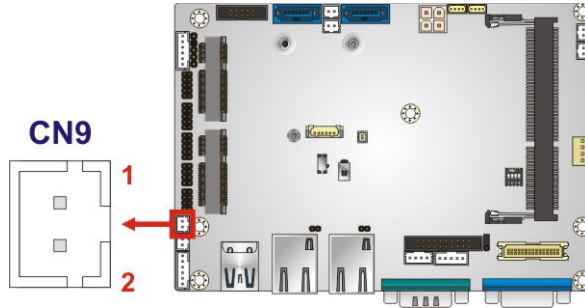


Figure 3-10: IPMI LED Connector Location

Pin	Description
1	ID_LED+
2	ID_LED-

Table 3-11: IPMI LED Connector Pinouts

3.2.10 iRIS Module Slot

- CN Label:** IPMI1
- CN Type:** iRIS module slot
- CN Location:** See **Figure 3-11**

The iRIS module slot allows installation of the iRIS-1010 module.

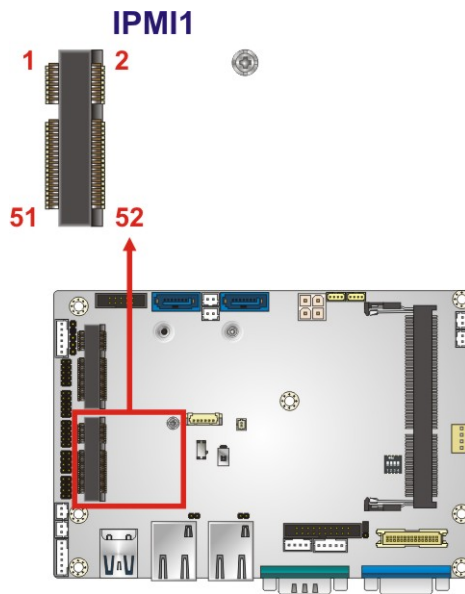


Figure 3-11: iRIS Module Slot Location



WARNING:

The iRIS module slot is designed to install the iRIS-1010 module only. DO NOT install other modules into the iRIS module slot. Doing so may cause damage to the WAFER-KBN-i1.

3.2.11 Keyboard and Mouse Connector

- CN Label:** KB_MS1
- CN Type:** 6-pin wafer

WAFER-KBN-i1 3.5" SBC

CN Location: See **Figure 3-12**

CN Pinouts: See **Table 3-12**

The keyboard and mouse connector connects to a PS/2 Y-cable that can be connected to a PS/2 keyboard and mouse.

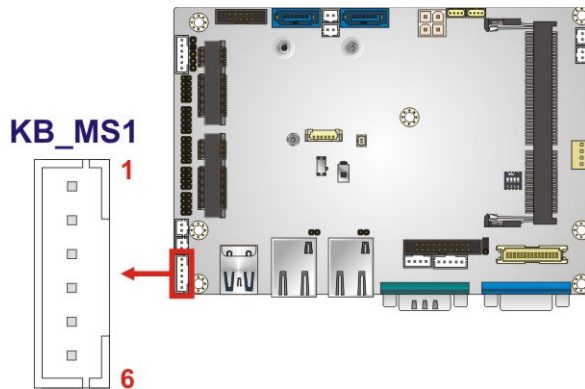


Figure 3-12: Keyboard and Mouse Connector Location

Pin	Description
1	VCC
2	Mouse Data
3	Mouse Clock
4	Keyboard Data
5	Keyboard Clock
6	GND

Table 3-12: Keyboard and Mouse Connector Pinouts

3.2.12 LAN LED Connectors

CN Label: LED_LAN1, LED_LAN2

CN Type: 2-pin header

CN Location: See **Figure 3-13**

CN Pinouts: See **Table 3-13**

The LAN LED connectors are used to connect to the LAN LED indicators on the chassis to indicate users the link activities of the two LAN ports.

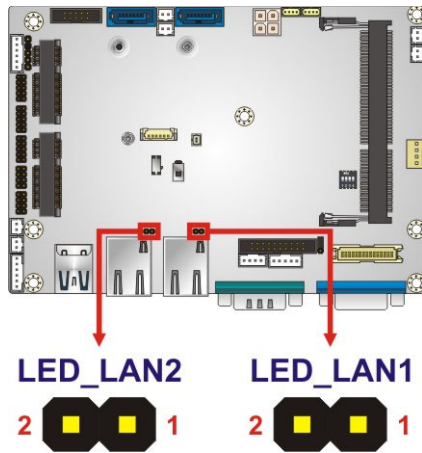


Figure 3-13: LAN LED Connector Locations

Pin	Description
1	+V3.3LAN
2	LED LINK_ACT-

Table 3-13: LAN LED Connector Pinouts

3.2.13 LVDS Backlight Control Connector

- CN Label:** INV1
- CN Type:** 5-pin wafer
- CN Location:** See **Figure 3-14**
- CN Pinouts:** See **Table 3-14**

The backlight control connector provides the backlight on the LCD display connected to the WAFER-KBN-i1 with +12V of power.

WAFER-KBN-i1 3.5" SBC

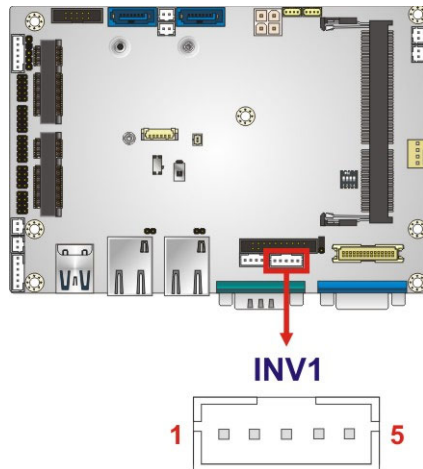


Figure 3-14: LVDS Backlight Control Connector Location

Pin	Description
1	LCD_BKLTCTL
2	GROUND
3	+12V
4	GROUND
5	BACKLIGHT ENABLE

Table 3-14: LVDS Backlight Control Connector Pinouts

3.2.14 LVDS Connector



NOTE:

Before using the LVDS connector, the user has to enable the **LVDS Output** BIOS option. Refer to **Section 5.4.1** for details.

- CN Label:** LVDS1
- CN Type:** 30-pin crimp
- CN Location:** See **Figure 3-15**
- CN Pinouts:** See **Table 3-15**

The 30-pin LVDS LCD connector can be connected to an 18/24-bit dual-channel LVDS panel.

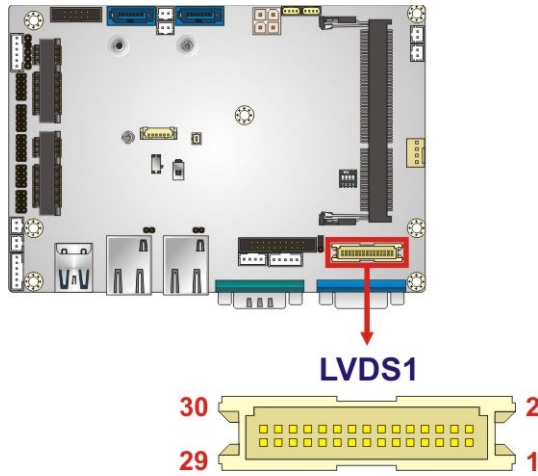


Figure 3-15: LVDS Connector Location

Pin	Description	Pin	Description
1	GND	2	GND
3	A_Y0	4	A_Y0#
5	A_Y1	6	A_Y1#
7	A_Y2	8	A_Y2#
9	A_CK	10	A_CK#
11	A_Y3	12	A_Y3#
13	GND	14	GND
15	B_Y0	16	B_Y0#
17	B_Y1	18	B_Y1#
19	B_Y2	20	B_Y2#
21	B_CK	22	B_CK#
23	B_Y3	24	B_Y3#
25	GND	26	GND
27	VCC/VCC3	28	VCC/VCC3
29	VCC/VCC3	30	VCC/VCC3

Table 3-15: LVDS Connector Pinouts

WAFER-KBN-i1 3.5" SBC

3.2.15 PCIe Mini Card Slot

- CN Label:** M_PCIE2
- CN Type:** PCIe Mini card slot
- CN Location:** See **Figure 3-16**
- CN Pinouts:** See **Table 3-16**

The PCIe Mini card slot enables a full-size/half-size PCIe Mini card expansion module to be connected to the board.

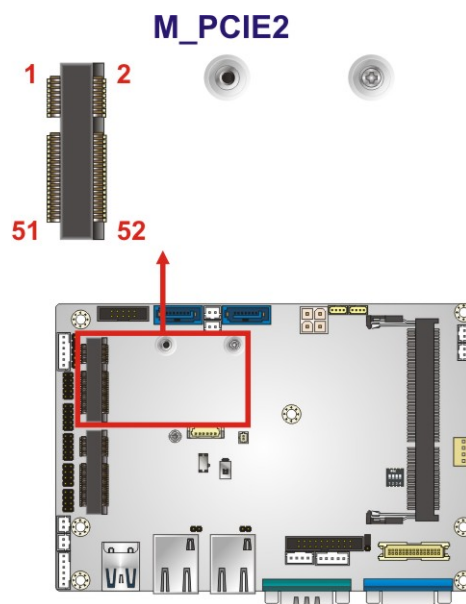


Figure 3-16: PCIe Mini Card Slot Location

Pin	Description	Pin	Description
1	PCIE_WAKE#	2	VCC3
3	N/C	4	GND
5	N/C	6	1.5V
7	N/C	8	N/C
9	GND	10	N/C
11	PCIE_CLK#	12	N/C
13	PCIE_CLK	14	N/C
15	GND	16	N/C

Pin	Description	Pin	Description
17	N/C	18	GND
19	N/C	20	N/C
21	GND	22	PCIRST#
23	PCIE_RXN (SATA_RX+)	24	VCC3
25	PCIE_RXP (SATA_RX-)	26	GND
27	GND	28	1.5V
29	GND	30	SMBCLK
31	PCIE_TXN (SATA_TX-)	32	SMBDATA
33	PCIE_TXP (SATA_TX+)	34	GND
35	GND	36	USBD-
37	GND	38	USBD+
39	VCC3	40	GND
41	VCC3	42	N/C
43	GND	44	N/C
45	N/C	46	N/C
47	N/C	48	1.5V
49	N/C	50	GND
51	N/C	52	VCC3

Table 3-16: PCIe Mini Card Slot Pinouts

3.2.16 Power and HDD LED Connector

- CN Label:** CN5
- CN Type:** 6-pin wafer
- CN Location:** See **Figure 3-17**
- CN Pinouts:** See **Table 3-17**

The LED connector connects to an HDD indicator LED and a power LED on the system chassis to inform the user about HDD activity and the power on/off status of the system.

WAFER-KBN-i1 3.5" SBC

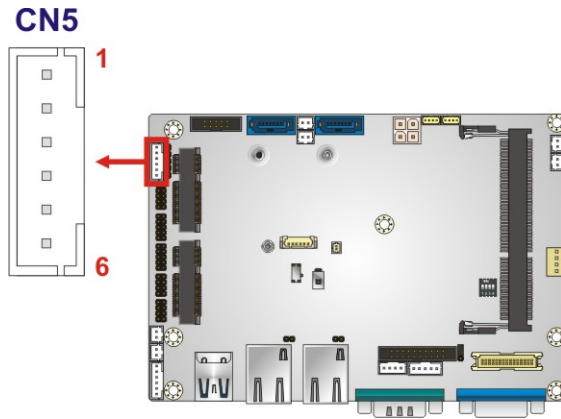


Figure 3-17: Power and HDD LED Connector Location

Function	Pin	Description
+5V	1	VCC
	2	GND
Power LED	3	Power LED+
	4	Power LED-
HDD LED	5	HDD LED+
	6	HDD LED-

Table 3-17: Power and HDD LED Connector Pinouts

3.2.17 Power Button Connector

- CN Label:** PWR_BTN1
- CN Type:** 2-pin wafer
- CN Location:** See **Figure 3-18**
- CN Pinouts:** See **Table 3-18**

The power button connector is connected to a power switch on the system chassis to enable users to turn the system on and off.

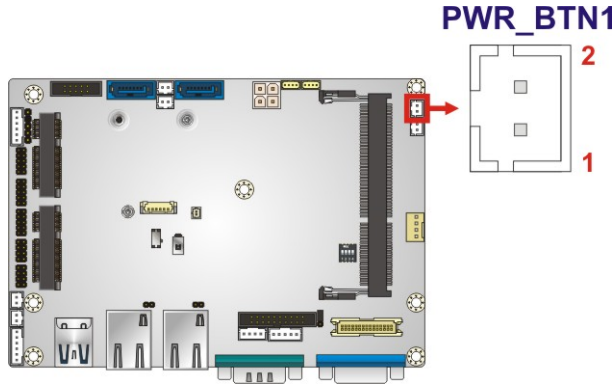


Figure 3-18: Power Button Connector Location

Pin	Description
1	PWR_BTN+
2	PWR_BTN-

Table 3-18: Power Button Connector Pinouts

3.2.18 Reset Button Connector

- CN Label:** RST_BTN1
- CN Type:** 2-pin wafer
- CN Location:** See **Figure 3-19**
- CN Pinouts:** See **Table 3-19**

The reset button connector is connected to a reset switch on the system chassis to enable users to reboot the system when the system is turned on.

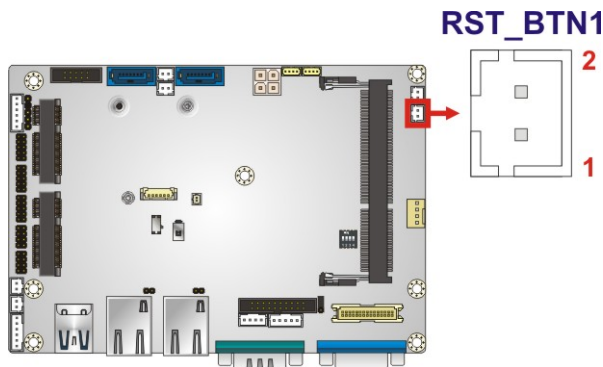


Figure 3-19: Reset Button Connector Location

WAFER-KBN-i1 3.5" SBC

Pin	Description
1	RESET+
2	RESET-

Table 3-19: Reset Button Connector Pinouts

3.2.19 SATA 6Gb/s Connectors

- CN Label:** SATA1, SATA2
- CN Type:** 7-pin SATA drive connector
- CN Location:** See **Figure 3-20**
- CN Pinouts:** See **Table 3-20**

The SATA drive connectors can be connected to SATA drives and support up to 6Gb/s data transfer rate.

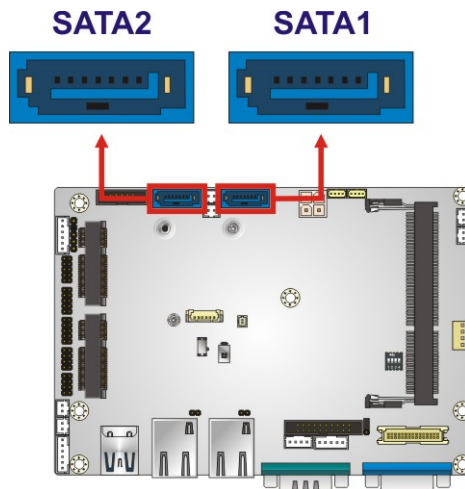


Figure 3-20: SATA 6Gb/s Connector Locations

Pin	Description
1	GND
2	TX+
3	TX-
4	GND
5	RX-

Pin	Description
6	RX+
7	GND

Table 3-20: SATA 6Gb/s Drive Connector Pinouts

3.2.20 Serial Port Connector, RS-232

- CN Label:** COM2, COM3
- CN Type:** 10-pin header
- CN Location:** See **Figure 3-21**
- CN Pinouts:** See **Table 3-21**

The 10-pin serial port connector provides one RS-232 serial communications channel. The COM serial port connector can be connected to an external RS-232 serial port device.

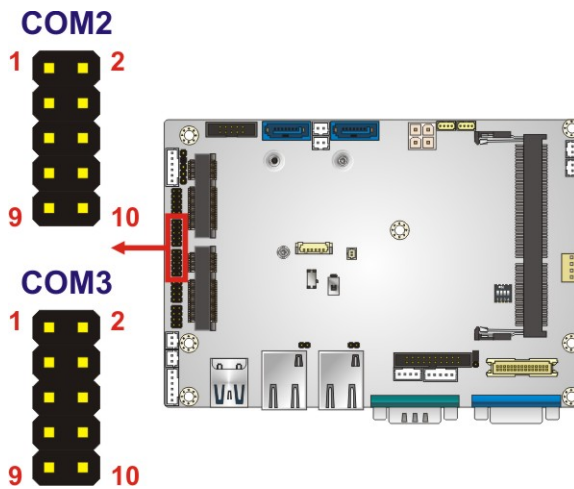


Figure 3-21: RS-232 Serial Port Connector Locations

Pin	Description	Pin	Description
1	DATA CARRIER DETECT (DCD)	2	DATA SET READY (DSR)
3	RECEIVE DATA (RXD)	4	REQUEST TO SEND (RTS)
5	TRANSMIT DATA (TXD)	6	CLEAR TO SEND (CTS)
7	DATA TERMINAL READY (DTR)	8	RING INDICATOR (RI)
9	GND	10	GND

Table 3-21: RS-232 Serial Port Connector Pinouts

WAFER-KBN-i1 3.5" SBC

3.2.21 Serial Port Connector, RS-422/485

- CN Label:** COM4
- CN Type:** 4-pin wafer
- CN Location:** See **Figure 3-22**
- CN Pinouts:** See **Table 3-22**

This connector provides RS-422 or RS-485 communications.

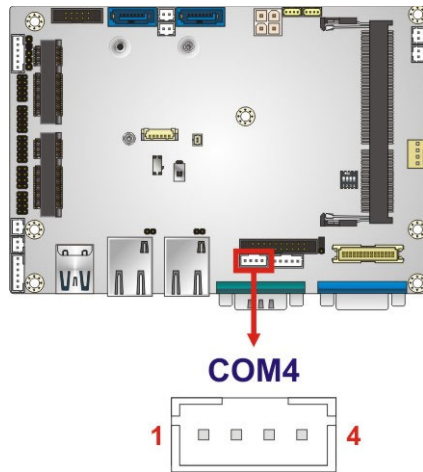


Figure 3-22: RS-422/485 Serial Port Connector Location

Pin	Description
1	RXD422-
2	RXD422+
3	TXD422+/TXD485+
4	TXD422-/TXD485-

Table 3-22: RS-422/485 Serial Port Connector Pinouts

Use the optional RS-422/485 cable to connect to a serial device. The pinouts of the DB-9 connector are listed below.

RS-422 Pinouts	RS-485 Pinouts

Table 3-23: DB-9 RS-422/485 Pinouts

3.2.22 SMBus Connector

- CN Label:** CN6
- CN Type:** 4-pin wafer
- CN Location:** See **Figure 3-23**
- CN Pinouts:** See **Table 3-24**

The SMBus (System Management Bus) connector provides low-speed system management communications.

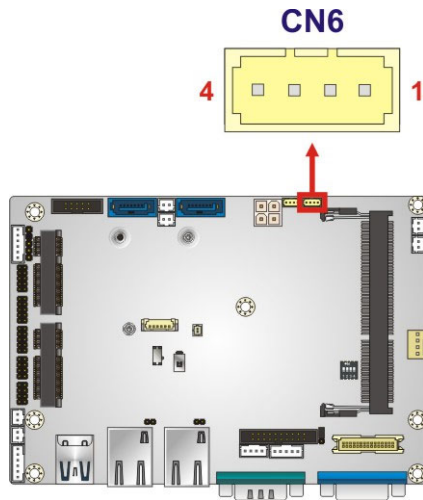


Figure 3-23: SMBus Connector Location

Pin	Description
1	GND
2	SMBUS DATA

WAFER-KBN-i1 3.5" SBC

Pin	Description
3	SMBUS CLK
4	+5V

Table 3-24: SMBus Connector Pinouts

3.2.23 SO-DIMM Connector

- CN Label:** DIMM1
- CN Type:** 204-pin DDR3 SO-DIMM connector
- CN Location:** See **Figure 3-24**

The SO-DIMM connector is for installing the SO-DIMM on the system.

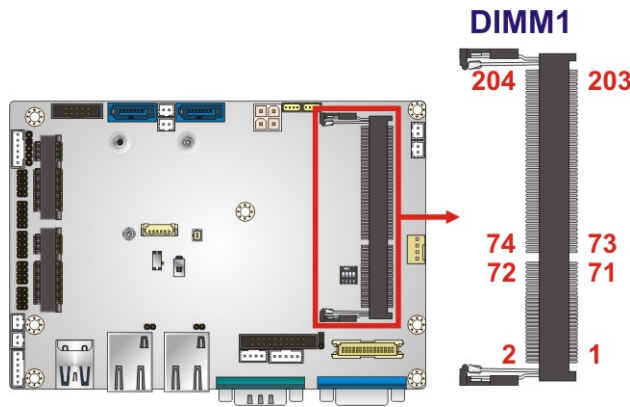


Figure 3-24: SO-DIMM Connector Location

3.2.24 S/PDIF Connector

- CN Label:** SPDIF1
- CN Type:** 5-pin header
- CN Location:** See **Figure 3-25**
- CN Pinouts:** See **Table 3-25**

Use the S/PDIF connector to connect digital audio devices to the system.

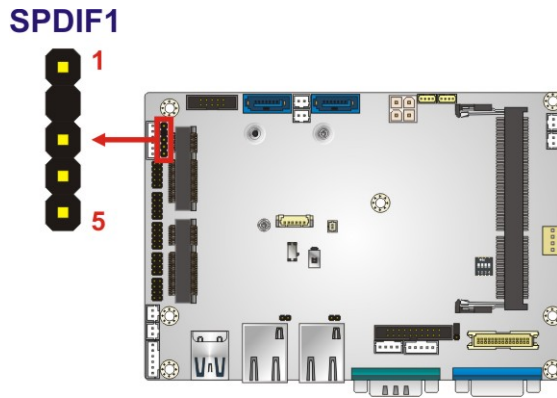


Figure 3-25: S/PDIF Connector Location

Pin	Description
1	+5V
2	NC
3	SPDIF_OUT
4	GND
5	SPDIF_IN

Table 3-25: S/PDIF Connector Pinouts

3.2.25 SPI Flash Connector

- CN Label:** SPI1
- CN Type:** 6-pin wafer
- CN Location:** See **Figure 3-26**
- CN Pinouts:** See **Table 3-26**

The SPI flash connector is used to flash the SPI ROM.

WAFER-KBN-i1 3.5" SBC

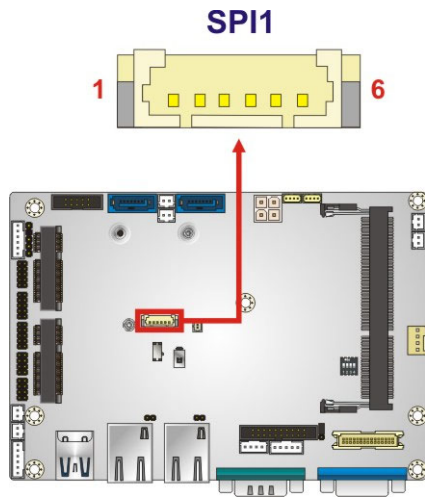


Figure 3-26: SPI Flash Connector Location

Pin	Description
1	SPI_POWER
2	SPI_2N_CS#
3	SPI_2N_MISO
4	SPI_2N_CLK
5	SPI_2N_MOSI
6	GND

Table 3-26: SPI Flash Connector Pinouts

3.2.26 System Fan Connector

- CN Label:** FAN1
- CN Type:** 4-pin wafer
- CN Location:** See **Figure 3-27**
- CN Pinouts:** See **Table 3-27**

The fan connector attaches to a system cooling fan.

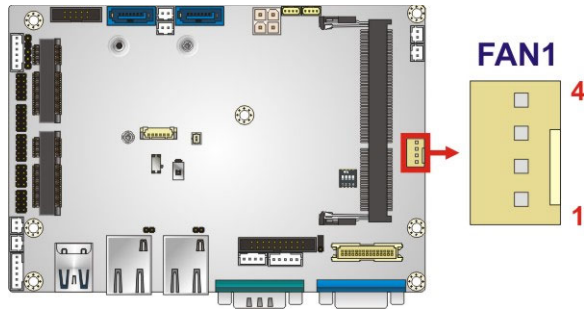


Figure 3-27: System Fan Connector Location

Pin	Description
1	GND
2	+V12S
3	Rotation Signal
4	PWM Control Signal

Table 3-27: System Fan Connector Pinouts

3.2.27 USB 2.0 Connectors

CN Label: USB2, USB3

CN Type: 8-pin header

CN Location: See **Figure 3-28**

CN Pinouts: See **Table 3-28**

Each USB header can connect to two USB 2.0 devices.

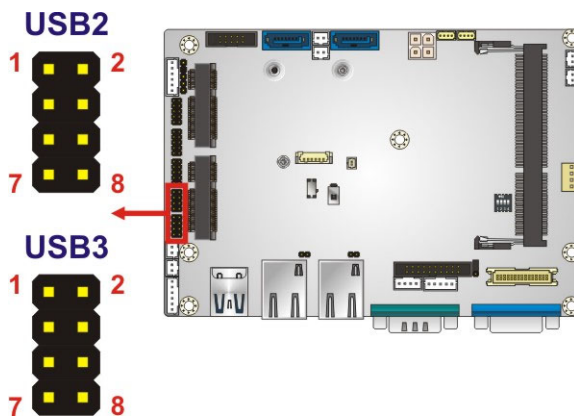


Figure 3-28: USB 2.0 Connector Locations

WAFER-KBN-i1 3.5" SBC

Pin	Description	Pin	Description
1	USB_VCC	2	GND
3	DATA-	4	DATA+
5	DATA+	6	DATA-
7	GND	8	USB_VCC

Table 3-28: USB 2.0 Connector Pinouts

3.3 External Interface Connectors

The figure below shows the external peripheral interface connector (EPIC) panel. The EPIC panel consists of the following:

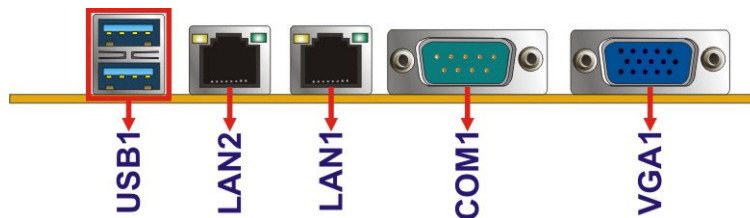


Figure 3-29: External Interface Connectors

3.3.1 Ethernet Connectors

- CN Label:** LAN1, LAN2
- CN Type:** RJ-45
- CN Location:** See **Figure 3-29**
- CN Pinouts:** See **Table 3-29**

Each LAN connector connects to a local network.

Pin	Description	Pin	Description
1	LAN_MDI0+	7	LAN_MDI2+
2	LAN_MDI0-	8	LAN_MDI2-
3	LAN_MDI1+	9	LAN_MDI3+
4	LAN_MDI1-	10	LAN_MDI3-

Table 3-29: LAN Pinouts

3.3.2 USB 3.0 Ports

- CN Label:** USB1
- CN Type:** Dual USB 3.0 port
- CN Location:** See **Figure 3-29**
- CN Pinouts:** See **Table 3-30**

The WAFER-KBN-i1 has two external USB 3.0 ports.

Pin	Description	Pin	Description
1	USB_VCC	2	USB2_D0-
3	USB2_D0-	4	GND
5	USB3_RXD0-	6	USB3_RXD0+
7	GND	8	USB3_TXD0-
9	USB3_TXD0+	10	USB_VCC
11	USB2_D1-	12	USB2_D1+
13	GND	14	USB3_RXD1-
15	USB3_RXD1+	16	GND
17	USB3_TXD1-	18	USB3_TXD1+

Table 3-30: USB 3.0 Port Pinouts

3.3.3 Serial Port Connector (COM1)

- CN Label:** COM1
- CN Type:** DB-9
- CN Location:** See **Figure 3-29**
- CN Pinouts:** See **Table 3-31**

The serial port connects to an RS-232 serial communications device.

Pin	Description	Pin	Description
1	DATA CARRIER DETECT (DCD)	6	DATA SET READY (DSR)
2	RECEIVE DATA (RXD)	7	REQUEST TO SEND (RTS)
3	TRANSMIT DATA (TXD)	8	CLEAR TO SEND (CTS)

WAFER-KBN-i1 3.5" SBC

Pin	Description	Pin	Description
4	DATA TERMINAL READY (DTR)	9	RING INDICATOR (RI)
5	GND		

Table 3-31: Serial Port Pinouts

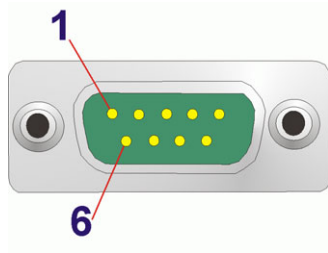


Figure 3-30: Serial Port

3.3.4 VGA Connector

- CN Label:** VGA1
- CN Type:** 15-pin female
- CN Location:** See **Figure 3-29**
- CN Pinouts:** See **Figure 3-31** and **Table 3-32**

The VGA connector connects to a monitor that accepts a standard VGA input.

Pin	Description	Pin	Description
1	RED	2	GREEN
3	BLUE	4	NC
5	GND	6	GND
7	GND	8	GND
9	VGAVCC	10	GND
11	NC	12	DDCDAT
13	HSYNC	14	VSYNC
15	DDCCLK		

Table 3-32: VGA Connector Pinouts

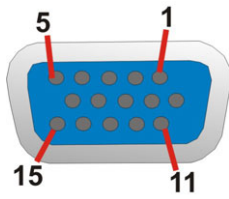


Figure 3-31: VGA Connector

Chapter

4

Installation

4.1 Anti-static Precautions



WARNING:

Failure to take ESD precautions during installation may result in permanent damage to the product and severe injury to the user.

Electrostatic discharge (ESD) can cause serious damage to electronic components, including the WAFER-KBN-i1. Dry climates are especially susceptible to ESD. It is therefore critical to strictly adhere to the following anti-static precautions whenever the WAFER-KBN-i1, or any other electrical component, is handled.

- **Wear an anti-static wristband:** - Wearing a simple anti-static wristband can help to prevent ESD from damaging the board.
- **Self-grounding:** - Before handling the board touch any grounded conducting material. During the time the board is handled, frequently touch any conducting materials that are connected to the ground.
- **Use an anti-static pad:** When configuring the WAFER-KBN-i1, place it on an anti-static pad. This reduces the possibility of ESD damaging the WAFER-KBN-i1.
- **Only handle the edges of the PCB:-** When handling the PCB, hold it by the edges.

4.2 Installation Considerations



NOTE:

The following installation notices and installation considerations should be read and understood before the WAFER-KBN-i1 is installed. All installation notices pertaining to the installation of WAFER-KBN-i1 should be strictly adhered to. Failing to adhere to these precautions may lead to severe damage of the WAFER-KBN-i1 and injury to the person installing the motherboard.

WAFER-KBN-i1 3.5" SBC



WARNING:

The installation instructions described in this manual should be carefully followed in order to prevent damage to the WAFER-KBN-i1, WAFER-KBN-i1 components and injury to the user.

Before and during the installation please **DO** the following:

- **Read the user manual:**
 - The user manual provides a complete description of the installation instructions and configuration options.
- **Wear an electrostatic discharge cuff (ESD):**
 - Electronic components are easily damaged by ESD. Wearing an ESD cuff removes ESD from the body and helps prevent ESD damage.
- **Place on an antistatic pad:**
 - When installing or configuring the motherboard, place it on an antistatic pad. This helps to prevent potential ESD damage.
- **Turn all power off:**
 - Make sure the product is disconnected from all power supplies and that no electricity is being fed into the system.

Before and during the installation of the WAFER-KBN-i1, **DO NOT:**

- Remove any of the stickers on the PCB board. These stickers are required for warranty validation.
- Use the product before verifying all the cables and power connectors are properly connected.
- Allow screws to come in contact with the PCB circuit, connector pins, or its components.

4.3 SO-DIMM Installation

To install a SO-DIMM, please follow the steps below and refer to **Figure 4-1**.

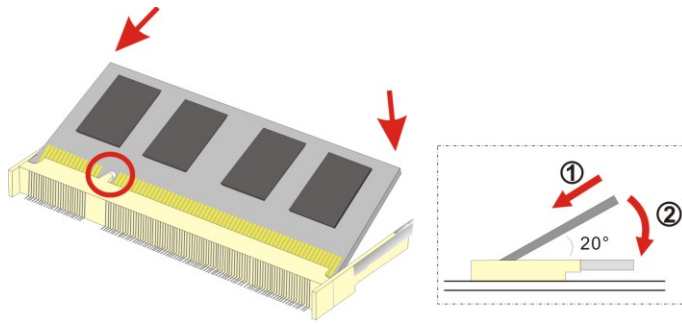


Figure 4-1: SO-DIMM Installation

- Step 1:** Locate the **SO-DIMM socket**. Place the board on an anti-static mat.
- Step 2:** **Align the SO-DIMM with the socket**. Align the notch on the memory with the notch on the memory socket.
- Step 3:** **Insert the SO-DIMM**. Push the memory in at a 20° angle. (See **Figure 4-1**)
- Step 4:** **Seat the SO-DIMM**. Gently push downwards and the arms clip into place. (See **Figure 4-1**).

4.4 iRIS-1010 Module Installation



WARNING:

The iRIS module slot is designed to install the iRIS-1010 module only. DO NOT install other modules into the iRIS module slot. Doing so may cause damage to the WAFER-KBN-i1.

To install the iRIS-1010 module, please follow the steps below.

- Step 1:** **Locate the iRIS module slot**. See **Figure 3-11**.
- Step 2:** **Remove the retention screw**. Remove the retention screw as shown in **Figure 4-2**.

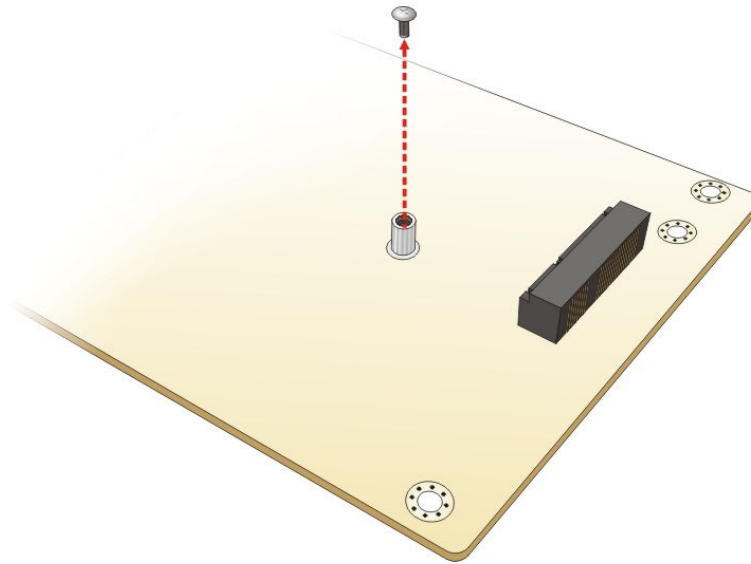


Figure 4-2: Removing the Retention Screw for the iRIS-1010 Module

Step 3: Insert into the slot at an angle. Line up the notch on the module with the notch on the slot. Slide the iRIS-1010 module into the slot at an angle of about 20° (Figure 4-3).

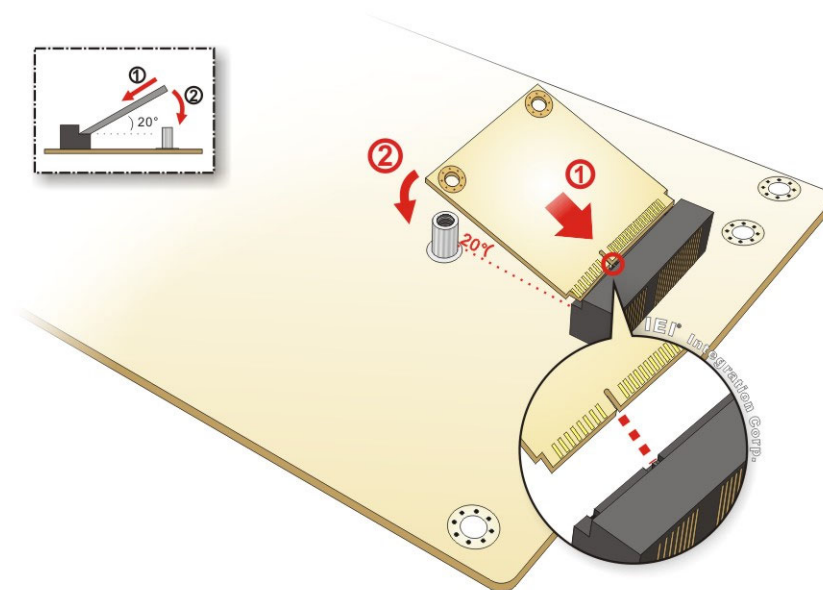


Figure 4-3: Inserting the iRIS-1010 Module into the Slot at an Angle

Step 4: Secure the iRIS-1010 module. Secure the iRIS-1010 module with the retention screw previously removed (**Figure 4-4**).

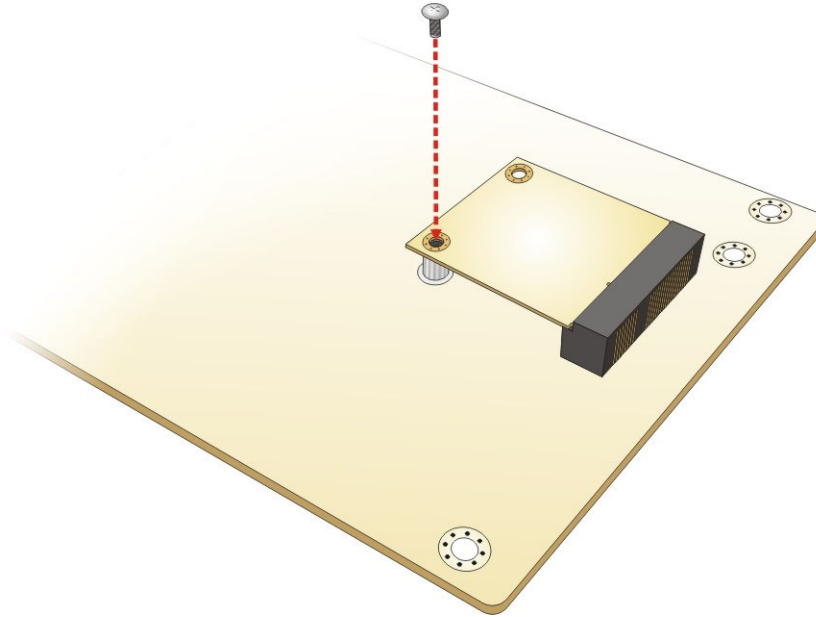


Figure 4-4: Securing the iRIS-1010 Module



NOTE:

After installing the iRIS-1010 module, use **LAN1** port to establish a network connection.

4.5 Full-size PCIe Mini Card Installation

The PCIe Mini card slot allows installation of either a full-size or half-size PCIe Mini card. To install a full-size PCIe Mini card, please follow the steps below.

Step 1: Locate the PCIe Mini card slot. See **Figure 3-16**.

Step 2: Remove the retention screw. Remove the retention screw as shown in **Figure 4-5**.

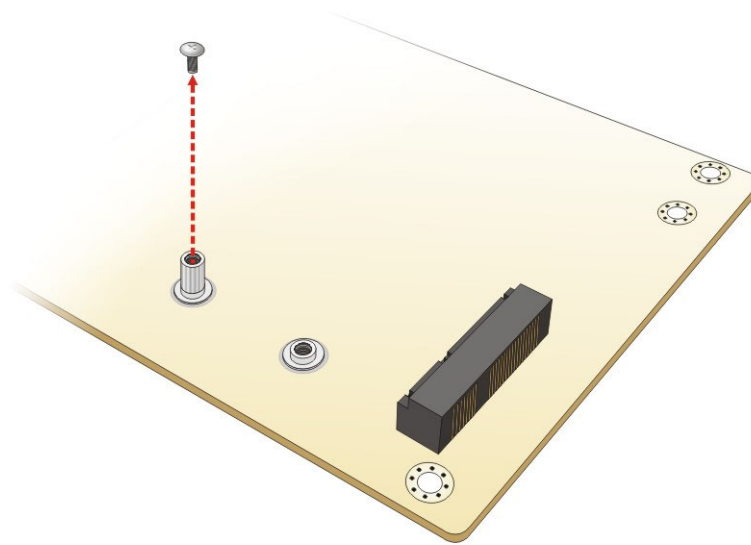


Figure 4-5: Removing the Retention Screw

Step 3: Insert into the socket at an angle. Line up the notch on the card with the notch on the slot. Slide the PCIe Mini card into the socket at an angle of about 20° (Figure 4-6).

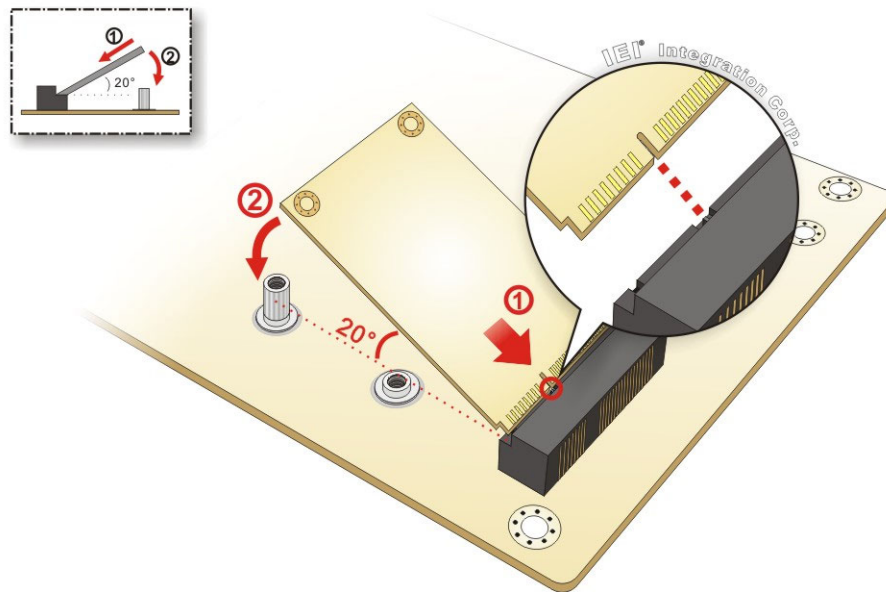


Figure 4-6: Inserting the Full-size PCIe Mini Card into the Slot at an Angle

Step 4: Secure the full-size PCIe Mini card. Secure the full-size PCIe Mini card with the retention screw previously removed (Figure 4-7).

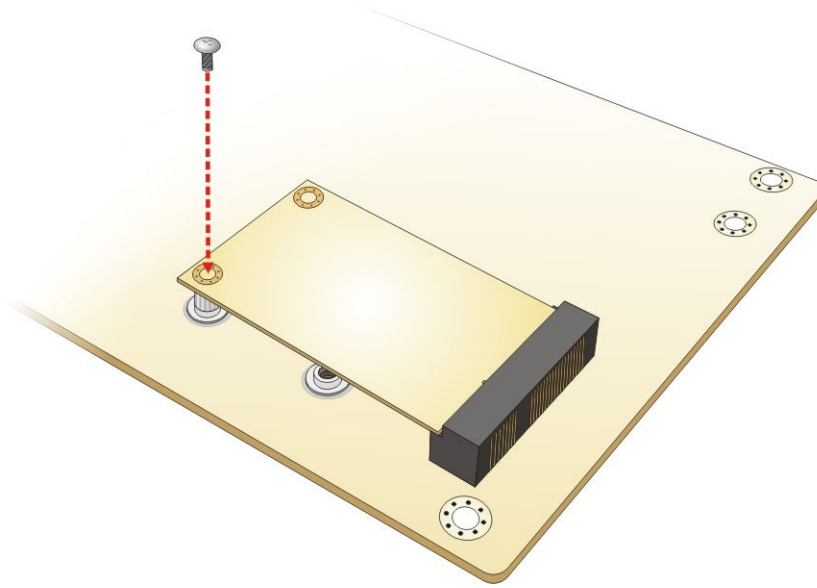


Figure 4-7: Securing the Full-size PCIe Mini Card

4.6 Half-size PCIe Mini Card Installation

The PCIe Mini card slot allows installation of either a full-size or half-size PCIe Mini card. To install a half-size PCIe Mini card, please follow the steps below.

Step 1: Locate the PCIe Mini card slot. See Figure 3-16.

Step 2: Remove the retention screw. Remove the retention screw as shown in Figure 4-5.

Step 3: Remove the standoff. Unscrew and remove the standoff secured on the motherboard as shown in Figure 4-8.

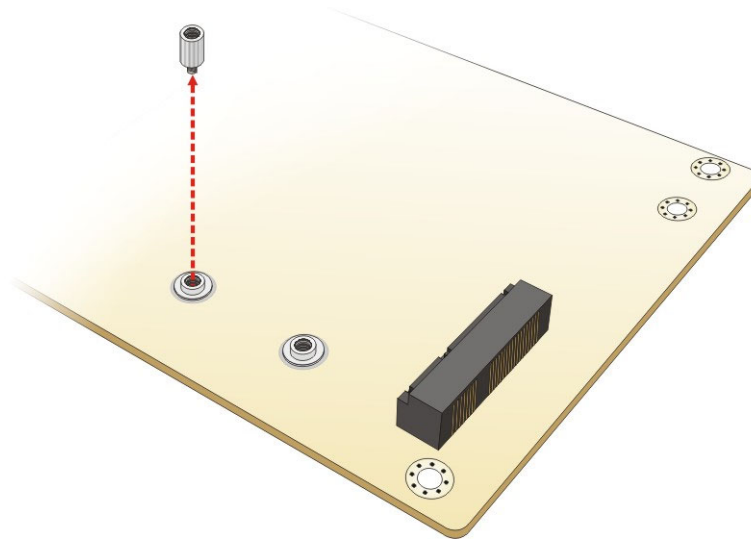


Figure 4-8: Removing the Standoff

Step 4: Install the standoff to the screw hole for the half-size PCIe Mini card. Install the previously removed standoff to the screw hole for the half-size PCIe Mini card (Figure 4-9).

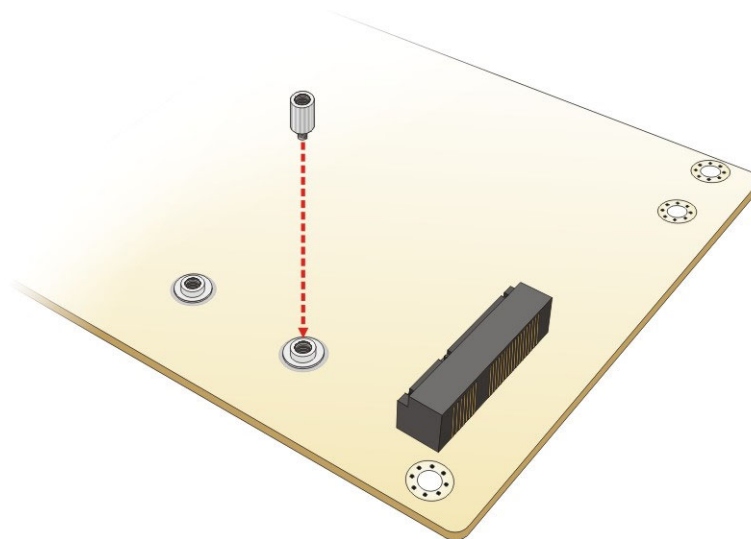


Figure 4-9: Installing the Standoff

Step 5: Insert into the socket at an angle. Line up the notch on the card with the notch on the slot. Slide the PCIe Mini card into the slot at an angle of about 20° (Figure 4-10).

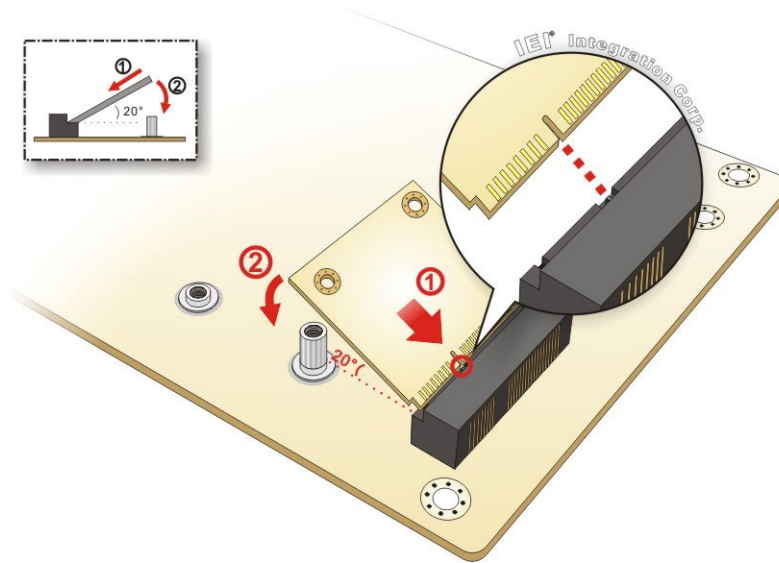


Figure 4-10: Inserting the Half-size PCIe Mini Card into the Slot at an Angle

Step 6: Secure the half-size PCIe Mini card. Secure the half-size PCIe Mini card with the retention screw previously removed (Figure 4-11).

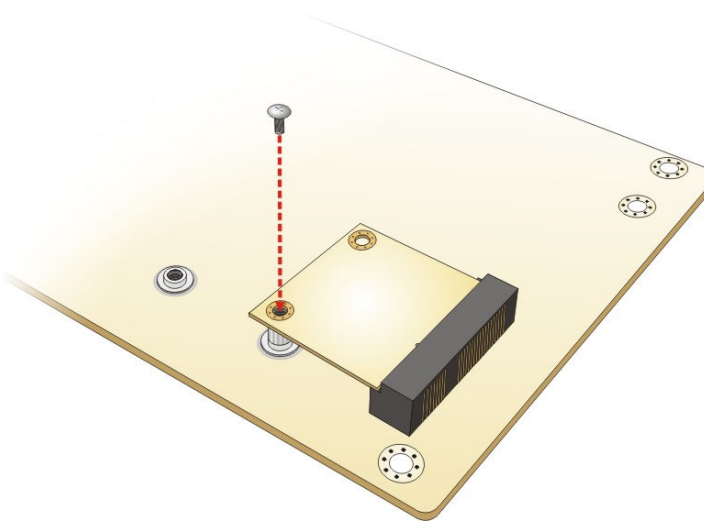


Figure 4-11: Securing the Half-size PCIe Mini Card

WAFER-KBN-i1 3.5" SBC

4.7 System Configuration

The system configuration is controlled by buttons, jumpers and switches. The system configuration should be performed before installation.

4.7.1 AT/ATX Power Mode Selection

The AT and ATX power mode selection is made through the AT/ATX power mode switch which is shown in **Figure 4-12**.

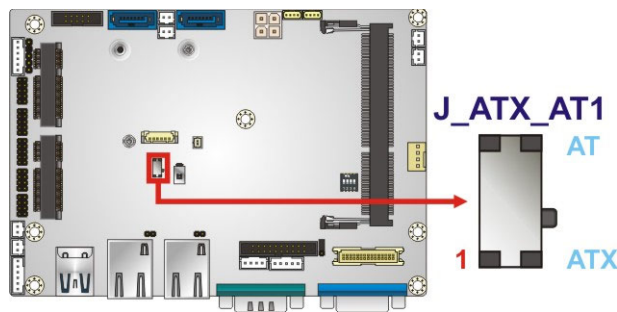


Figure 4-12: AT/ATX Power Mode Switch Location

Setting	Description
1-2	ATX power mode (default)
2-3	AT power mode

Table 4-1: AT/ATX Power Mode Switch Settings

4.7.2 Clear CMOS Button

To reset the BIOS, remove the on-board battery and press the clear CMOS button for three seconds or more. The clear CMOS button location is shown in **Figure 4-13**.

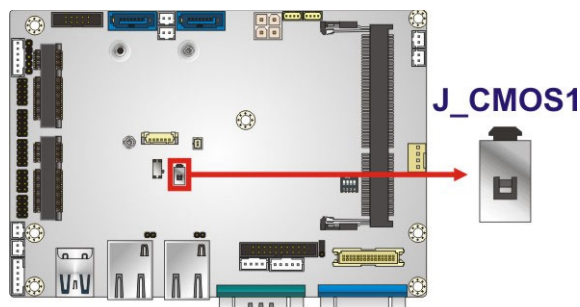


Figure 4-13: Clear CMOS Button Location

4.7.3 LVDS Panel Resolution Selection

- Jumper Label:** SW1
- Jumper Type:** DIP switch
- Jumper Settings:** See Table 4-2
- Jumper Location:** See Figure 4-14

Selects the resolution of the LCD panel connected to the LVDS connector.

* ON=0, OFF=1; Single=S, Dual=D

SW1 (4-3-2-1)	Description
0000	800x600 18-bit S (default)
0001	1024x768 18-bit S
0010	1024x768 24-bit S
0011	1280x768 18-bit S
0100	1280x800 18-bit S
0101	1280x960 18-bit S
0110	1280x1024 24-bit D
0111	1366x768 18-bit S
1000	1366x768 24-bit S
1001	1440x960 24-bit D
1010	1400x1050 24-bit D
1011	1600x900 24-bit D
1100	1680x1050 24-bit D
1101	1600x1200 24-bit D
1110	1920x1080 24-bit D
1111	1920x1200 24-bit D

Table 4-2: LVDS Panel Resolution Selection

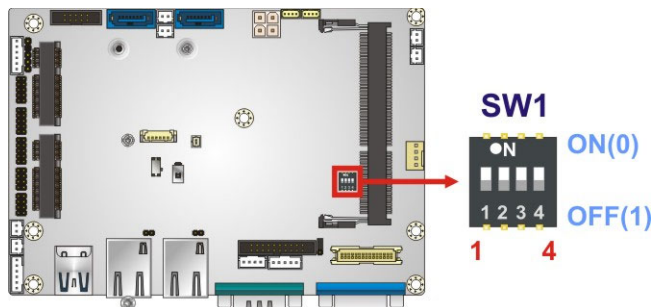


Figure 4-14: LVDS Panel Resolution Selection Switch Location

WAFER-KBN-i1 3.5" SBC

4.7.4 LVDS Voltage Selection



WARNING:

Permanent damage to the screen and WAFER-KBN-i1 may occur if the wrong voltage is selected with this jumper. Please refer to the user guide that came with the monitor to select the correct voltage.

- Jumper Label:** JP1
- Jumper Type:** 3-pin header
- Jumper Settings:** See **Table 4-3**
- Jumper Location:** See **Figure 4-15**

The LVDS voltage selection jumper allows setting the voltage provided to the monitor connected to the LVDS connector.

Setting	Description
Short 1-2	+3.3V LVDS (Default)
Short 2-3	+5V LVDS

Table 4-3: LVDS Voltage Selection Jumper Settings

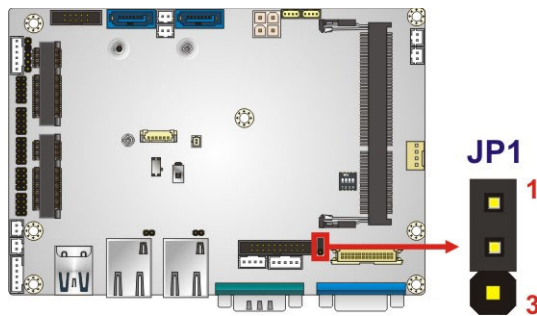


Figure 4-15: LVDS Voltage Selection Jumper Location

4.8 Chassis Installation

4.8.1 Heat Sink Enclosure

**WARNING:**

Never run the WAFER-KBN-i1 without the heat sink secured to the board. The heat sink ensures the system remains cool and does not need addition heat sinks to cool the system.

**WARNING:**

When running the WAFER-KBN-i1, do not put the WAFER-KBN-i1 directly on a surface that can not dissipate system heat, especially the wooden or plastic desk. It is highly recommended to run the WAFER-KBN-i1

→ on a heat dissipation surface or

→ using copper pillars to hold the board up from the desk below

When the WAFER-KBN-i1 is shipped, it is secured to a heat sink with five retention screws. If the WAFER-KBN-i1 must be removed from the heat sink, the five retention screws must be removed.

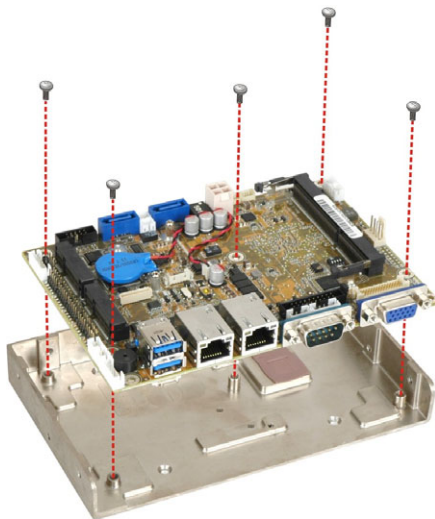


Figure 4-16: Heat Sink Retention Screws

WAFER-KBN-i1 3.5" SBC

4.8.2 Motherboard Installation

Each side of the heat sink enclosure has several screw holes allowing the WAFER-KBN-i1 to be mounted into a chassis (please refer to **Figure 1-3** for the detailed dimensions). The user can design or select a chassis that has screw holes matching up with the holes on the heat sink enclosure for installing the WAFER-KBN-i1. The following diagram shows an example of motherboard installation.

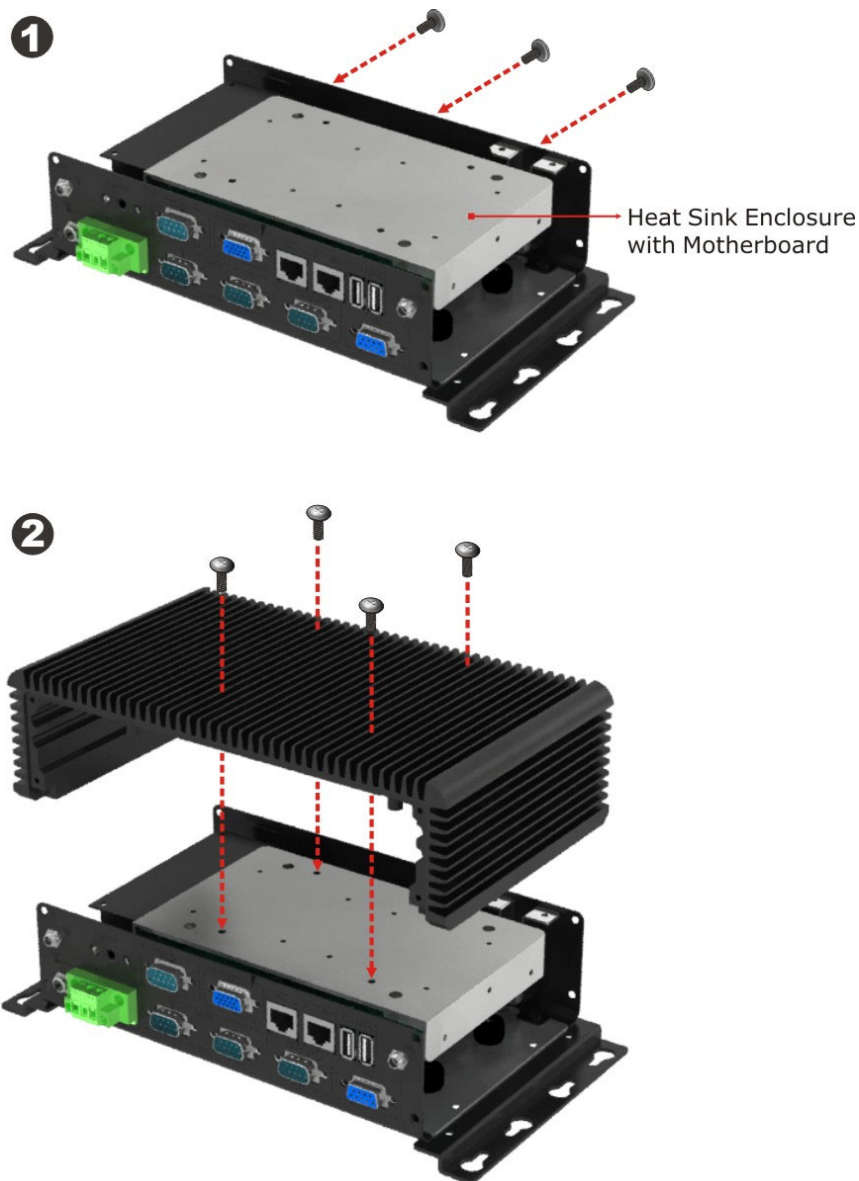


Figure 4-17: Motherboard Installation Example

4.9 Internal Peripheral Device Connections

This section outlines the installation of peripheral devices to the on-board connectors.

4.9.1 AT/ATX Power Connection

Follow the instructions below to connect the WAFER-KBN-i1 to an AT or ATX power supply.



WARNING:

Disconnect the power supply power cord from its AC power source to prevent a sudden power surge to the WAFER-KBN-i1.

Step 1: **Locate the power cable.** The power cable is shown in the packing list in Chapter 2.

Step 2: **Connect the Power Cable to the Motherboard.** Connect the 4-pin (2x2) Molex type power cable connector to the power connector on the motherboard. See Figure 4-18.

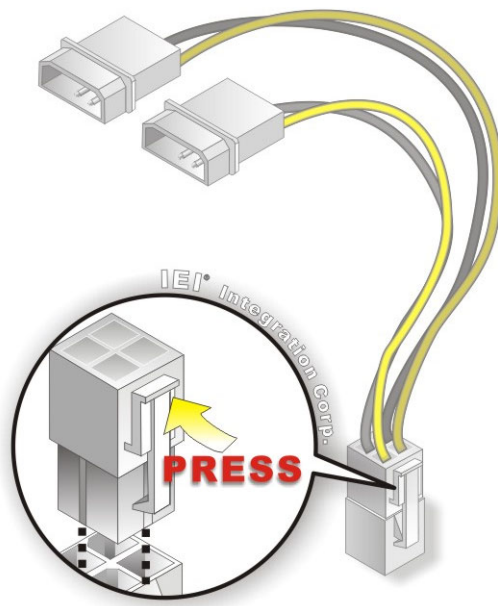


Figure 4-18: Power Cable to Motherboard Connection

WAFER-KBN-i1 3.5" SBC

Step 3: Connect Power Cable to Power Supply. Connect one of the 4-pin (1x4) Molex type power cable connectors to an AT/ATX power supply. See **Figure 4-19**.

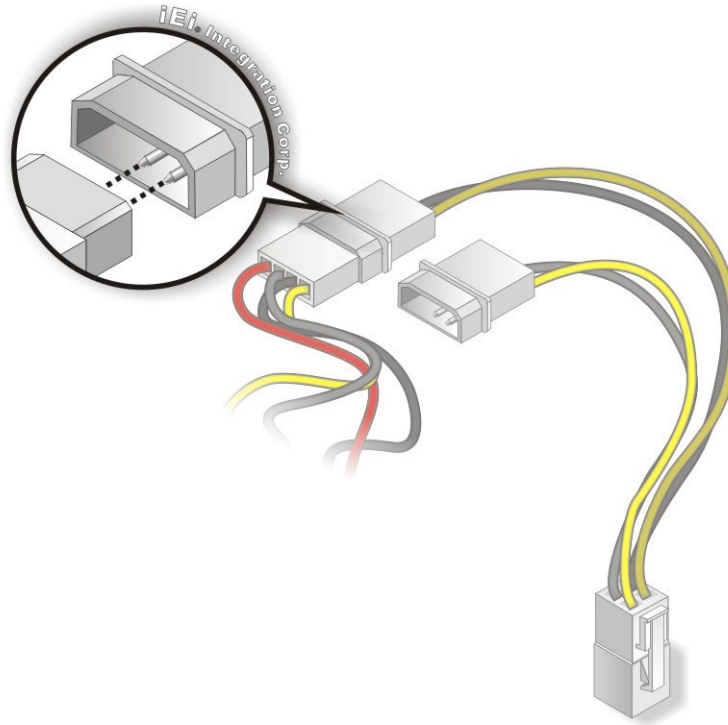


Figure 4-19: Connect Power Cable to Power Supply

4.9.2 Audio Kit Installation

The Audio Kit that came with the WAFER-KBN-i1 connects to the 10-pin audio connector on the WAFER-KBN-i1. The audio kit consists of three audio jacks. One audio jack, Mic In, connects to a microphone. The remaining two audio jacks, Line-In and Line-Out, connect to two speakers. To install the audio kit, please refer to the steps below:

Step 1: Locate the audio connector. The location of the 10-pin audio connector is shown in **Chapter 3**.

Step 2: Align pin 1. Align pin 1 on the on-board connector with pin 1 on the audio kit connector. Pin 1 on the audio kit connector is indicated with a white dot. See **Figure 4-20**.

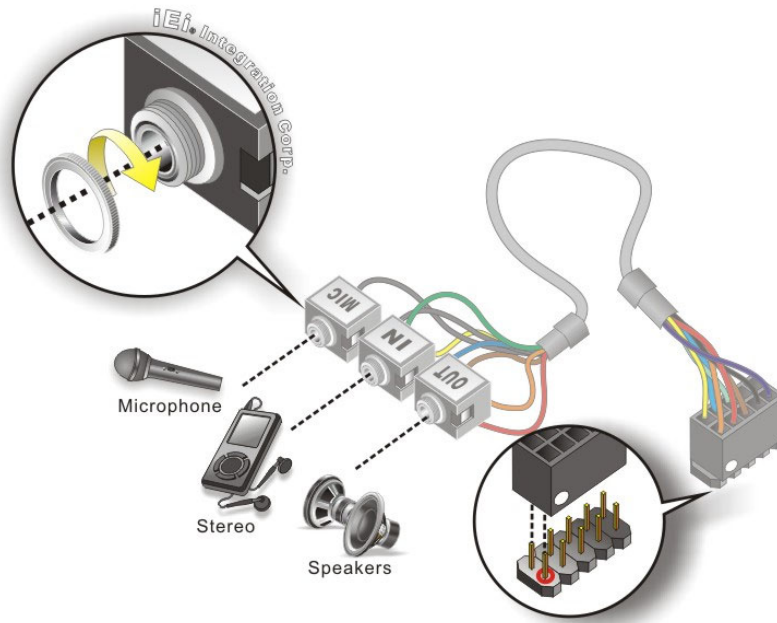


Figure 4-20: Audio Kit Cable Connection

Step 3: **Connect the audio devices.** Connect speakers to the line-out audio jack. Connect the output of an audio device to the line-in audio jack. Connect a microphone to the mic-in audio jack.

4.9.3 LVDS LCD Installation

The WAFER-KBN-i1 can be connected to a TFT LCD screen through the LVDS crimp connectors on the board. To connect a TFT LCD to the WAFER-KBN-i1, please follow the steps below.

Step 1: **Locate the connector.** The location of the LVDS connector is shown in **Chapter 3**.

Step 2: **Insert the cable connector.** Insert the connector from the LVDS PCB driving board to the LVDS connector as shown in **Figure 4-21**. When connecting the connectors, make sure the pins are properly aligned.

**WARNING:**

The diagram below is merely for illustration. The configuration and connection of the cables from the TFT LCD screen being installed may be different. Please refer to the installation manual that came with the TFT LCD screen.

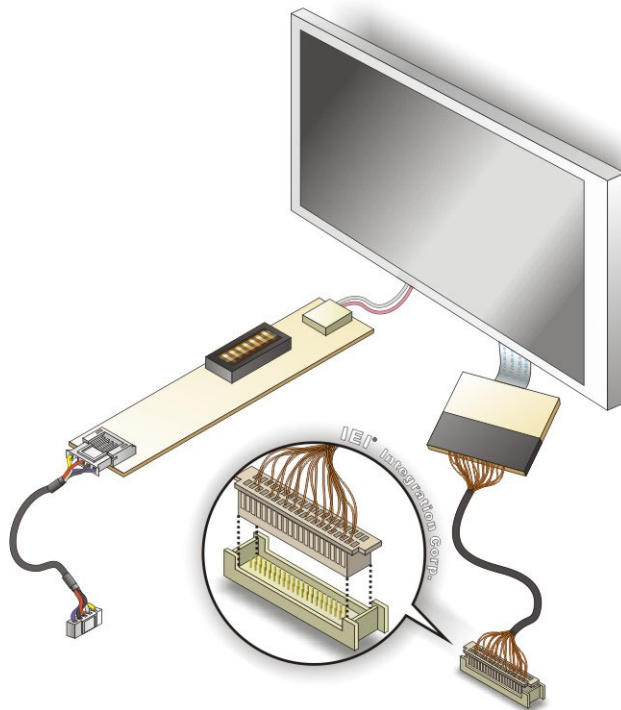


Figure 4-21: LVDS Connector

Step 3: **Locate the backlight inverter connector.** The location of the backlight inverter connector is shown in **Chapter 3**.

Step 4: **Connect backlight connector.** Connect the backlight connector to the driver TFT LCD PCB as shown in **Figure 4-22**. When inserting the cable connector, make sure the pins are properly aligned.

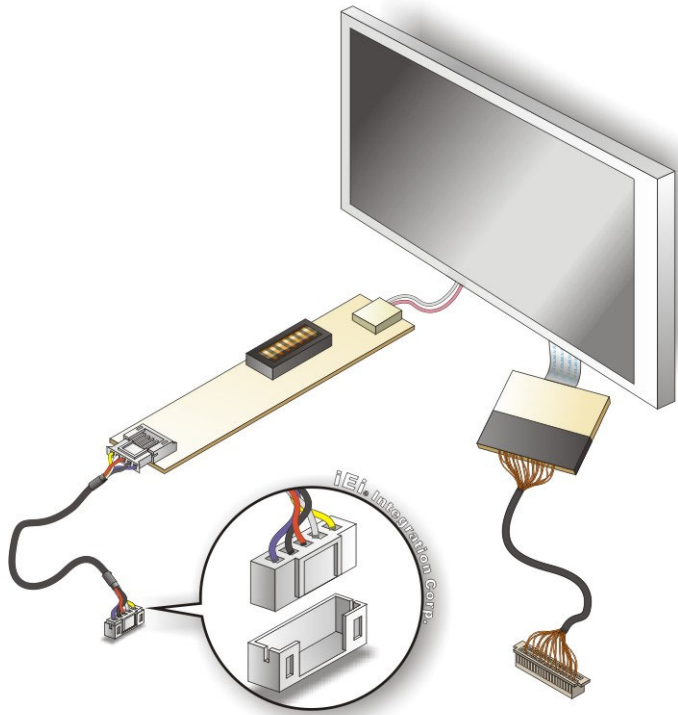


Figure 4-22: Backlight Inverter Connection

4.9.4 RS-232 Cable Installation

The RS-232 cable consists of one serial port connector attached to a serial communications cable that is then attached to a DB-9 male connector that is mounted onto a bracket. To install the RS-232 cable, please follow the steps below.

- Step 1: Locate the connectors.** The locations of the RS-232 connectors are shown in Chapter 3.
- Step 2: Align the connectors.** Correctly align pin 1 on the cable connector with pin 1 on the WAFER-KBN-i1 serial port connector.
- Step 3: Insert the cable connectors.** Once the cable connector is properly aligned with the serial port connector on the WAFER-KBN-i1, connect the cable connector to the on-board connector. See **Figure 4-23**

WAFER-KBN-i1 3.5" SBC

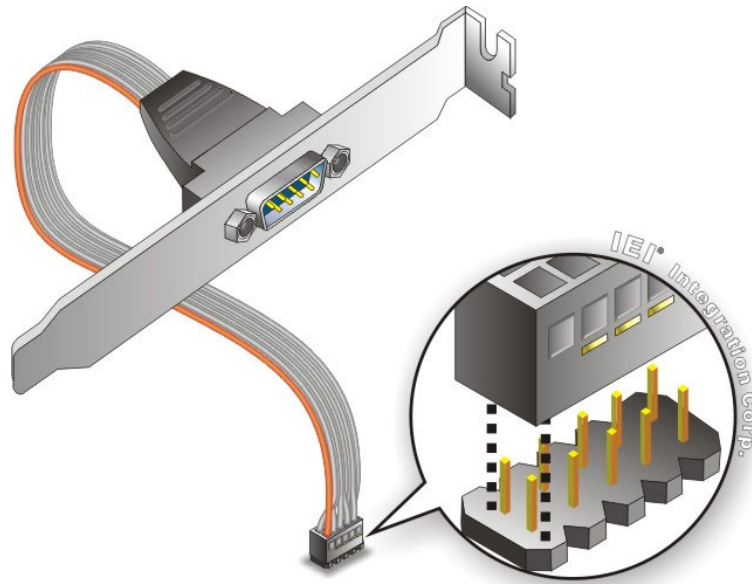


Figure 4-23: RS-232 Cable Installation

Step 4: Secure the bracket. The RS-232 connector has one DB-9 male connector secured to a bracket. To secure the bracket to the chassis, please refer to the reference material that came with the chassis.

4.9.5 SATA Drive Connection

The WAFER-KBN-i1 is shipped with two SATA signal and power cables. To connect the SATA drive to the connectors, please follow the steps below.

Step 1: Locate the SATA connector and the SATA power connector. The locations of the connectors are shown in **Chapter 3**.

Step 2: Insert the cable connectors. Insert the cable connectors into the on-board SATA drive connector and the SATA power connector. See **Figure 4-24**.

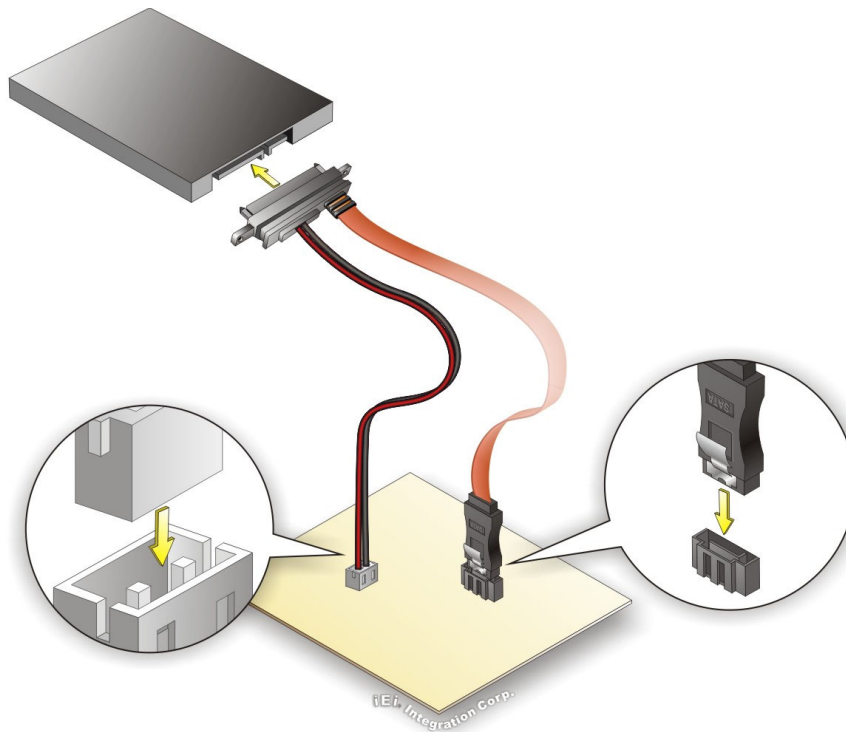


Figure 4-24: SATA Drive Cable Connection

Step 3: Connect the cable to the SATA disk. Connect the connector on the other end of the cable to the connector at the back of the SATA drive. See **Figure 4-24**.

Step 4: To remove the SATA cable from the SATA connector, press the clip on the connector at the end of the cable.

Chapter

5

BIOS

5.1 Introduction

The BIOS is programmed onto the BIOS chip. The BIOS setup program allows changes to certain system settings. This chapter outlines the options that can be changed.



NOTE:

Some of the BIOS options may vary throughout the life cycle of the product and are subject to change without prior notice.

5.1.1 Starting Setup

The UEFI BIOS is activated when the computer is turned on. The setup program can be activated in one of two ways.

1. Press the **DEL** or **F2** key as soon as the system is turned on or
2. Press the **DEL** or **F2** key when the "**Press DEL or F2 to enter SETUP**" message appears on the screen.

If the message disappears before the **DEL** or **F2** key is pressed, restart the computer and try again.

5.1.2 Using Setup

Use the arrow keys to highlight items, press **ENTER** to select, use the PageUp and PageDown keys to change entries, press **F1** for help and press **ESC** to quit. Navigation keys are shown in the following table.

Key	Function
Up arrow	Move to previous item
Down arrow	Move to next item
Left arrow	Move to the item on the left hand side
Right arrow	Move to the item on the right hand side
+	Increase the numeric value or make changes
-	Decrease the numeric value or make changes

WAFER-KBN-i1 3.5" SBC

Key	Function
Page Up key	Move to the next page
Page Dn key	Move to the previous page
Esc key	Main Menu – Quit and not save changes into CMOS Status Page Setup Menu and Option Page Setup Menu -- Exit current page and return to Main Menu
F1	General help, only for Status Page Setup Menu and Option Page Setup Menu
F2	Load previous values
F3	Load optimized defaults
F4	Save changes and Exit BIOS

Table 5-1: BIOS Navigation Keys

5.1.3 Getting Help

When **F1** is pressed a small help window describing the appropriate keys to use and the possible selections for the highlighted item appears. To exit the Help Window press **Esc** or the **F1** key again.

5.1.4 Unable to Reboot after Configuration Changes

If the computer cannot boot after changes to the system configuration are made, CMOS defaults. Use the clear CMOS button described in **Chapter 4**.

5.1.5 BIOS Menu Bar

The **menu bar** on top of the BIOS screen has the following main items:

- Main – Changes the basic system configuration.
- Advanced – Changes the advanced system settings.
- Chipset – Changes the chipset settings.
- Boot – Changes the system boot configuration.
- Security – Sets User and Supervisor Passwords.
- Save & Exit – Selects exit options and loads default settings.

The following sections completely describe the configuration options found in the menu items at the top of the BIOS screen and listed above.

5.2 Main

The **Main** BIOS menu (**BIOS Menu 1**) appears when the **BIOS Setup** program is entered. The **Main** menu gives an overview of the basic system information.

Aptio Setup Utility - Copyright (C) 2012 American Megatrends, Inc.		
Main	Advanced	Chipset Boot Security Save & Exit
BIOS Information		Set the Date. Use Tab to switch between Date elements.
BIOS Vendor	American Megatrends	
Core Version	4.6.5.4	
Compliance	UEFI 2.3.1; PI 1.2	
Project Version	E286AR11.ROM	
Build Date and Time	12/27/2013 14:08:15	-----
iWDD Vendor	iEi	→←: Select Screen
iWDD Version	B286ER13.bin	↑ ↓: Select Item
IPMI Module State	N/A	Enter: Select
System Date	[Tue 02/11/2014]	+/-: Change Opt.
System Time	[15:10:27]	F1: General Help
Access Level	Administrator	F2: Previous Values
		F3: Optimized Defaults
		F4: Save & Exit
		ESC: Exit
Version 2.15.1236. Copyright (C) 2012 American Megatrends, Inc.		

BIOS Menu 1: Main

The Main menu has two user configurable fields:

➔ **System Date [xx/xx/xx]**

Use the **System Date** option to set the system date. Manually enter the day, month and year.

➔ **System Time [xx:xx:xx]**

Use the **System Time** option to set the system time. Manually enter the hours, minutes and seconds.

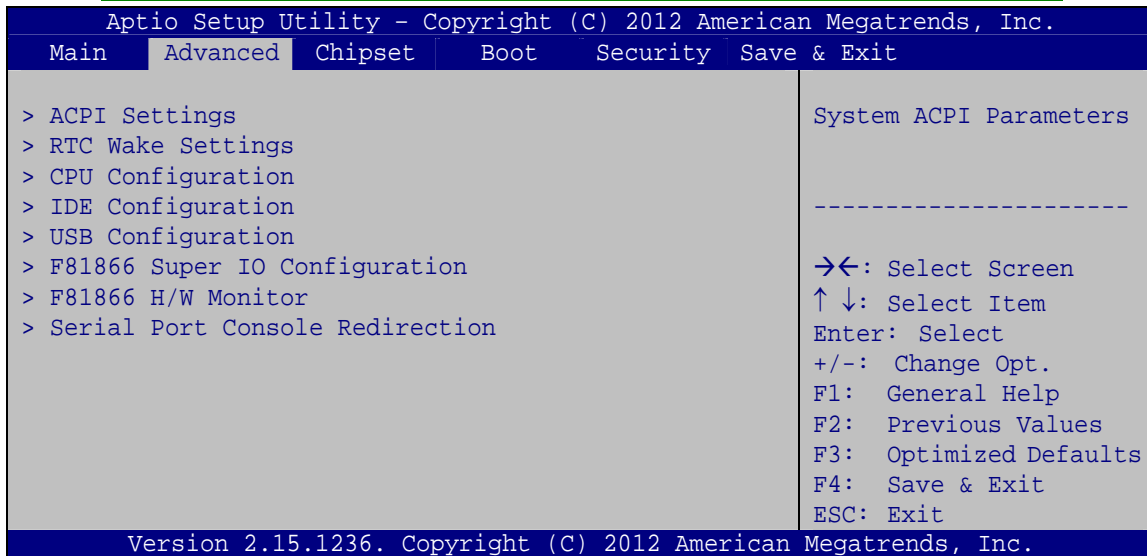
5.3 Advanced

Use the **Advanced** menu (**BIOS Menu 2**) to configure the CPU and peripheral devices through the following sub-menus:



WARNING:

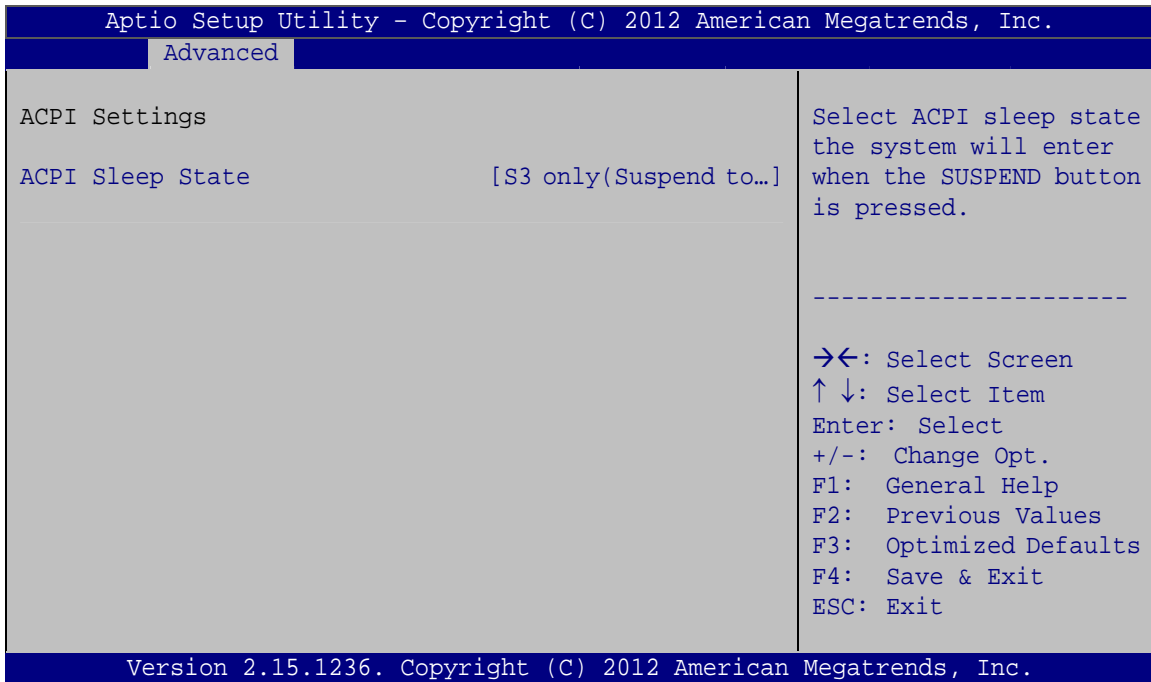
Setting the wrong values in the sections below may cause the system to malfunction. Make sure that the settings made are compatible with the hardware.



BIOS Menu 2: Advanced

5.3.1 ACPI Settings

The **ACPI Settings** menu (**BIOS Menu 3**) configures the Advanced Configuration and Power Interface (ACPI) options.



BIOS Menu 3: ACPI Settings

→ **ACPI Sleep State [S3 only (Suspend to RAM)]**

Use the **ACPI Sleep State** option to specify the sleep state the system enters when it is not being used.

- **S3 only (Suspend to RAM) DEFAULT** The caches are flushed and the CPU is powered off. Power to the RAM is maintained. The computer returns slower to a working state, but more power is saved.

5.3.2 RTC Wake Settings

The **RTC Wake Settings** menu (**BIOS Menu 4**) enables the system to wake at the specified time.

WAFER-KBN-i1 3.5" SBC



BIOS Menu 4: RTC Wake Settings

→ Wake system with Fixed Time [Disabled]

Use the **Wake system with Fixed Time** option to enable or disable the system wake on alarm event.

→ **Disabled** **DEFAULT** The real time clock (RTC) cannot generate a wake event

→ **Enabled** If selected, the **Wake up every day** option appears allowing you to enable to disable the system to wake every day at the specified time. Besides, the following options appear with values that can be selected:

Wake up every day

Wake up date

Wake up hour

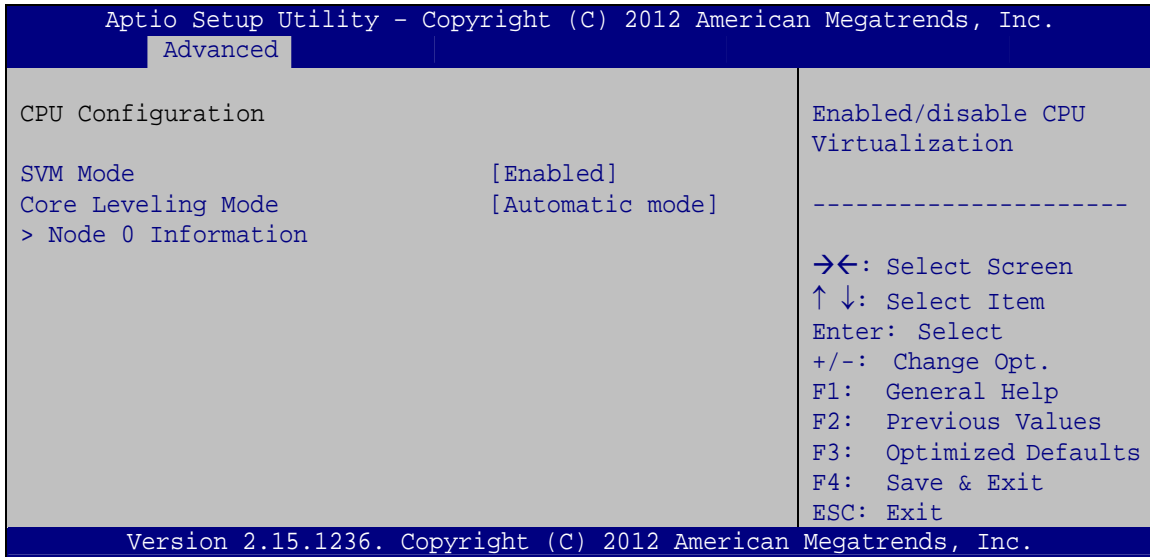
Wake up minute

Wake up second

After setting the alarm, the computer turns itself on from a suspend state when the alarm goes off.

5.3.3 CPU Configuration

Use the **CPU Configuration** menu (**BIOS Menu 5**) to view detailed CPU specifications.



BIOS Menu 5: CPU Configuration

→ SVM Mode [Enabled]

Use the **SVM Mode** option to enable or disable CPU virtualization on the system.

- **Disabled** Disables CPU virtualization.
- **Enabled** **DEFAULT** Enables CPU virtualization.

→ Core Leveling Mode [Automatic mode]

Use the **Core Leveling Mode** option to change the number of cores for the system. Configuration options are listed below.

- Automatic mode **Default**
- Two cores per processor
- One core per processor

WAFER-KBN-i1 3.5" SBC

5.3.3.1 Node 0 Information

The **Node 0 Information** submenu (**BIOS Menu 6**) lists detailed CPU specifications.

```

Aptio Setup Utility - Copyright (C) 2012 American Megatrends, Inc.
  Advanced
-----
Socekt0: AMD GX-210HA SOC with Radeon(tm) HD Graphics
Dual Core Running @ 1009 MHz 900 mV
Max Speed:1000 MHz   Intended Speed:1000 MHz
Min Speed:800 MHz
Microcode Patch Level: 7000106

----- Cache per Compute Unit -----
L1 Instruction Cache: 64 KB/2-way
      L1 Data Cache: 64 KB/8-way
      L2 Cache: 1024 KB/16-way
No L3 Cache Present

-----
-><: Select Screen
↑↓: Select Item
Enter: Select
+/-: Change Opt.
F1: General Help
F2: Previous Values
F3: Optimized Defaults
F4: Save & Exit
ESC: Exit

Version 2.15.1236. Copyright (C) 2012 American Megatrends, Inc.
  
```

BIOS Menu 6: Node 0 Information

5.3.4 IDE Configuration

Use the **IDE Configuration** menu (**BIOS Menu 7**) to view the SATA devices installed in the system.

```

Aptio Setup Utility - Copyright (C) 2012 American Megatrends, Inc.
  Advanced
-----
IDE Configuration

SATA Port0           Not Present
SATA Port1           Not Present

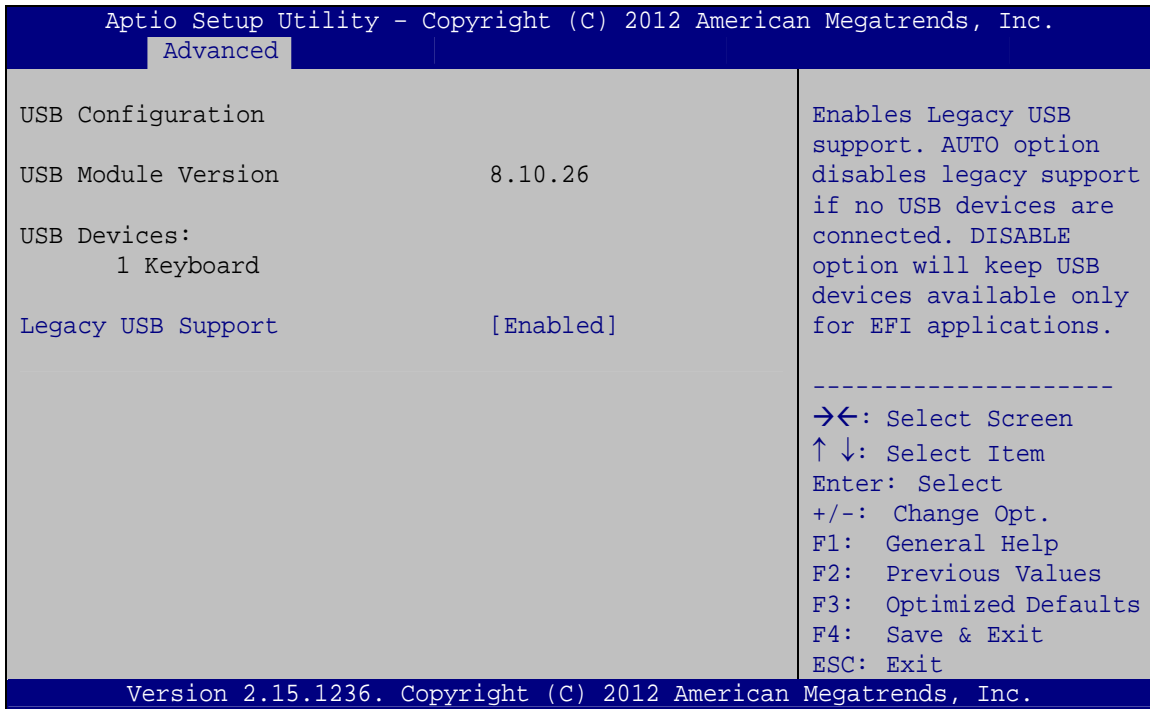
-----
-><: Select Screen
↑↓: Select Item
Enter: Select
+/-: Change Opt.
F1: General Help
F2: Previous Values
F3: Optimized Defaults
F4: Save & Exit
ESC: Exit

Version 2.15.1236. Copyright (C) 2012 American Megatrends, Inc.
  
```

BIOS Menu 7: IDE Configuration

5.3.5 USB Configuration

Use the **USB Configuration** menu (**BIOS Menu 8**) to read USB configuration information and configure the USB settings.



BIOS Menu 8: USB Configuration

➔ USB Devices

The **USB Devices** field lists the USB devices that are enabled on the system

➔ Legacy USB Support [Enabled]

Use the **Legacy USB Support** BIOS option to enable USB mouse and USB keyboard support.

Normally if this option is not enabled, any attached USB mouse or USB keyboard does not become available until a USB compatible operating system is fully booted with all USB drivers loaded. When this option is enabled, any attached USB mouse or USB keyboard can control the system even when there is no USB driver loaded onto the system.

WAFER-KBN-i1 3.5" SBC

- ➔ **Enabled** **DEFAULT** Legacy USB support enabled
- ➔ **Disabled** Legacy USB support disabled
- ➔ **Auto** Legacy USB support disabled if no USB devices are connected

5.3.6 F81866 Super IO Configuration

Use the **F81866 Super IO Configuration** menu (**BIOS Menu 9**) to set or change the configurations for the serial ports.

```

Aptio Setup Utility - Copyright (C) 2012 American Megatrends, Inc.
  Advanced
F81866 Super IO Configuration
F81866 Super IO Chip          F81866
> Serial Port 1 Configuration
> Serial Port 2 Configuration
> Serial Port 3 Configuration
> Serial Port 4 Configuration

Set Parameters of Serial
Port 1 (COMA)

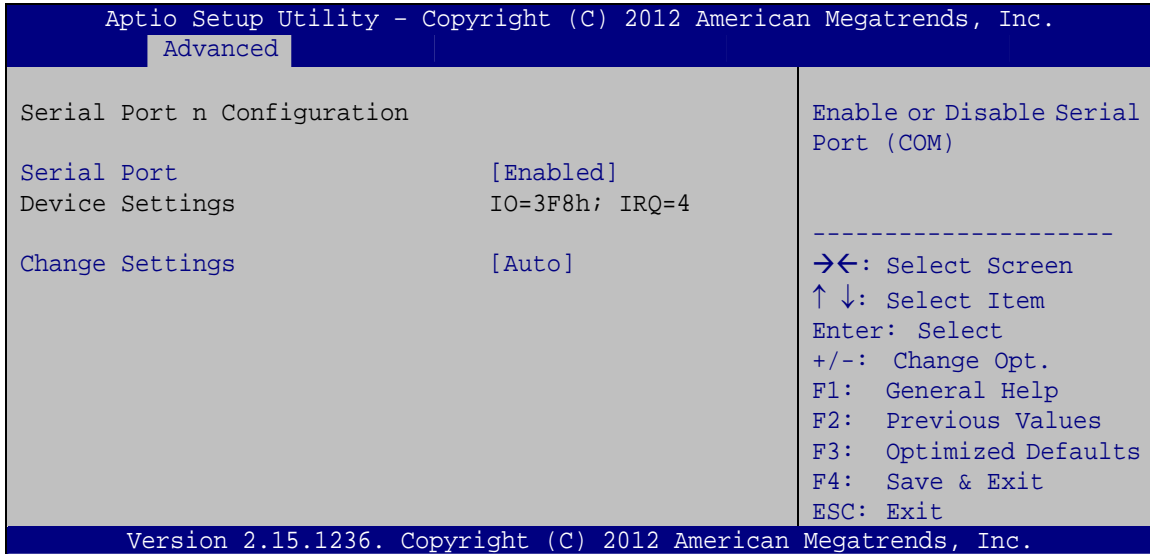
-----
-><: Select Screen
↑↓: Select Item
Enter: Select
+/-: Change Opt.
F1: General Help
F2: Previous Values
F3: Optimized Defaults
F4: Save & Exit
ESC: Exit

Version 2.15.1236. Copyright (C) 2012 American Megatrends, Inc.
  
```

BIOS Menu 9: F81866 Super IO Configuration

5.3.6.1 Serial Port n Configuration

Use the **Serial Port n Configuration** menu (**BIOS Menu 10**) to configure the serial port n.



BIOS Menu 10: Serial Port n Configuration Menu

5.3.6.1.1 Serial Port 1 Configuration

➔ Serial Port [Enabled]

Use the **Serial Port** option to enable or disable the serial port.

- ➔ **Disabled** Disable the serial port
- ➔ **Enabled DEFAULT** Enable the serial port

➔ Change Settings [Auto]

Use the **Change Settings** option to change the serial port IO port address and interrupt address.

- ➔ **Auto DEFAULT** The serial port IO port address and interrupt address are automatically detected.
- ➔ **IO=3F8h; Serial Port I/O port address is 3F8h and the interrupt
IRQ=4 address is IRQ4**
- ➔ **IO=3F8h; Serial Port I/O port address is 3F8h and the interrupt
IRQ=3, 4 address is IRQ3, 4**

WAFER-KBN-i1 3.5" SBC

- ➔ **IO=2F8h;**
IRQ=3, 4 Serial Port I/O port address is 2F8h and the interrupt address is IRQ3, 4
- ➔ **IO=3E8h;**
IRQ=3, 4 Serial Port I/O port address is 3E8h and the interrupt address is IRQ3, 4
- ➔ **IO=2E8h;**
IRQ=3, 4 Serial Port I/O port address is 2E8h and the interrupt address is IRQ3, 4

5.3.6.1.2 Serial Port 2 Configuration

➔ Serial Port [Enabled]

Use the **Serial Port** option to enable or disable the serial port.

- ➔ **Disabled** Disable the serial port
- ➔ **Enabled** **DEFAULT** Enable the serial port

➔ Change Settings [Auto]

Use the **Change Settings** option to change the serial port IO port address and interrupt address.

- ➔ **Auto** **DEFAULT** The serial port IO port address and interrupt address are automatically detected.
- ➔ **IO=2F8h;**
IRQ=3 Serial Port I/O port address is 2F8h and the interrupt address is IRQ3
- ➔ **IO=3F8h;**
IRQ=3, 4 Serial Port I/O port address is 3F8h and the interrupt address is IRQ3, 4
- ➔ **IO=2F8h;**
IRQ=3, 4 Serial Port I/O port address is 2F8h and the interrupt address is IRQ3, 4
- ➔ **IO=3E8h;**
IRQ=3, 4 Serial Port I/O port address is 3E8h and the interrupt address is IRQ3, 4
- ➔ **IO=2E8h;**
IRQ=3, 4 Serial Port I/O port address is 2E8h and the interrupt address is IRQ3, 4

5.3.6.1.3 Serial Port 3 Configuration

→ Serial Port [Enabled]

Use the **Serial Port** option to enable or disable the serial port.

- **Disabled** Disable the serial port
- **Enabled** **DEFAULT** Enable the serial port

→ Change Settings [Auto]

Use the **Change Settings** option to change the serial port IO port address and interrupt address.

- **Auto** **DEFAULT** The serial port IO port address and interrupt address are automatically detected.
- **IO=3E8h;**
IRQ=5 Serial Port I/O port address is 3E8h and the interrupt address is IRQ5
- **IO=3E8h;**
IRQ=5, 6,
10, 11 Serial Port I/O port address is 3E8h and the interrupt address is IRQ5, 6, 10, 11
- **IO=2E8h;**
IRQ=5, 6,
10, 11 Serial Port I/O port address is 2E8h and the interrupt address is IRQ5, 6, 10, 11
- **IO=220h;**
IRQ=5, 6,
10, 11 Serial Port I/O port address is 220h and the interrupt address is IRQ5, 6, 10, 11
- **IO=228h;**
IRQ=5, 6,
10, 11 Serial Port I/O port address is 228h and the interrupt address is IRQ5, 6, 10, 11

WAFER-KBN-i1 3.5" SBC

5.3.6.1.4 Serial Port 4 Configuration

→ Serial Port [Enabled]

Use the **Serial Port** option to enable or disable the serial port.

- **Disabled** Disable the serial port
- **Enabled** **DEFAULT** Enable the serial port

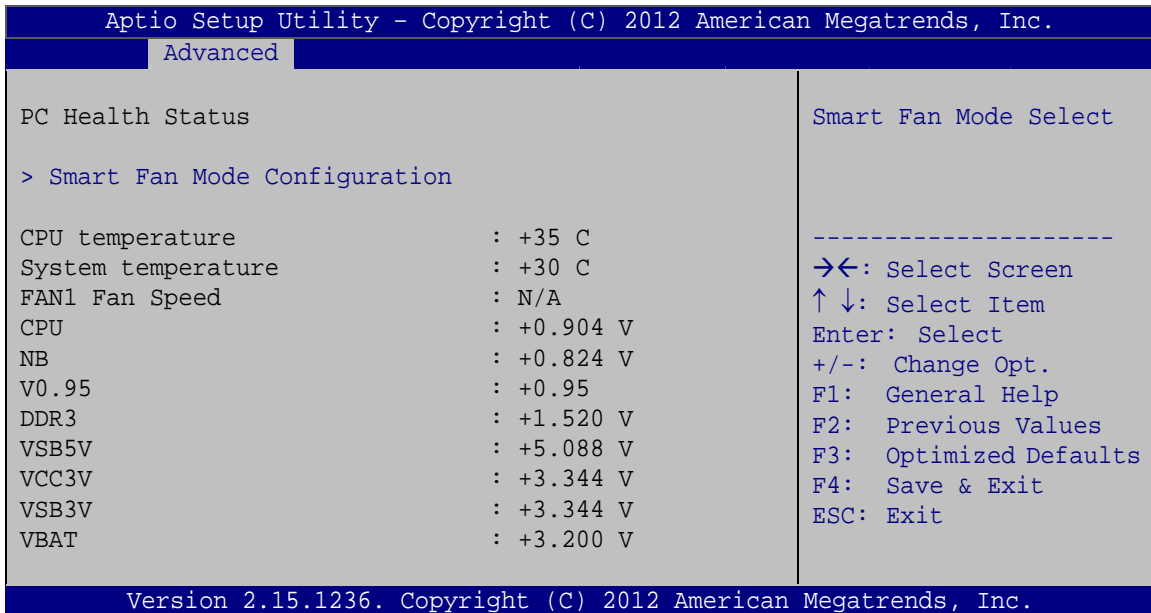
→ Change Settings [Auto]

Use the **Change Settings** option to change the serial port IO port address and interrupt address.

- **Auto** **DEFAULT** The serial port IO port address and interrupt address are automatically detected.
- **IO=2E8h;**
IRQ=5 Serial Port I/O port address is 2E8h and the interrupt address is IRQ5
- **IO=3E8h;**
IRQ=5, 6,
10, 11 Serial Port I/O port address is 3E8h and the interrupt address is IRQ5, 6, 10, 11
- **IO=2E8h;**
IRQ=5, 6,
10, 11 Serial Port I/O port address is 2E8h and the interrupt address is IRQ5, 6, 10, 11
- **IO=220h;**
IRQ=5, 6,
10, 11 Serial Port I/O port address is 220h and the interrupt address is IRQ5, 6, 10, 11
- **IO=228h;**
IRQ=5, 6,
10, 11 Serial Port I/O port address is 228h and the interrupt address is IRQ5, 6, 10, 11

5.3.7 F81866 H/W Monitor

The **F81866 H/W Monitor** menu (**BIOS Menu 11**) contains the fan configuration submenu and displays the system temperatures and voltages.

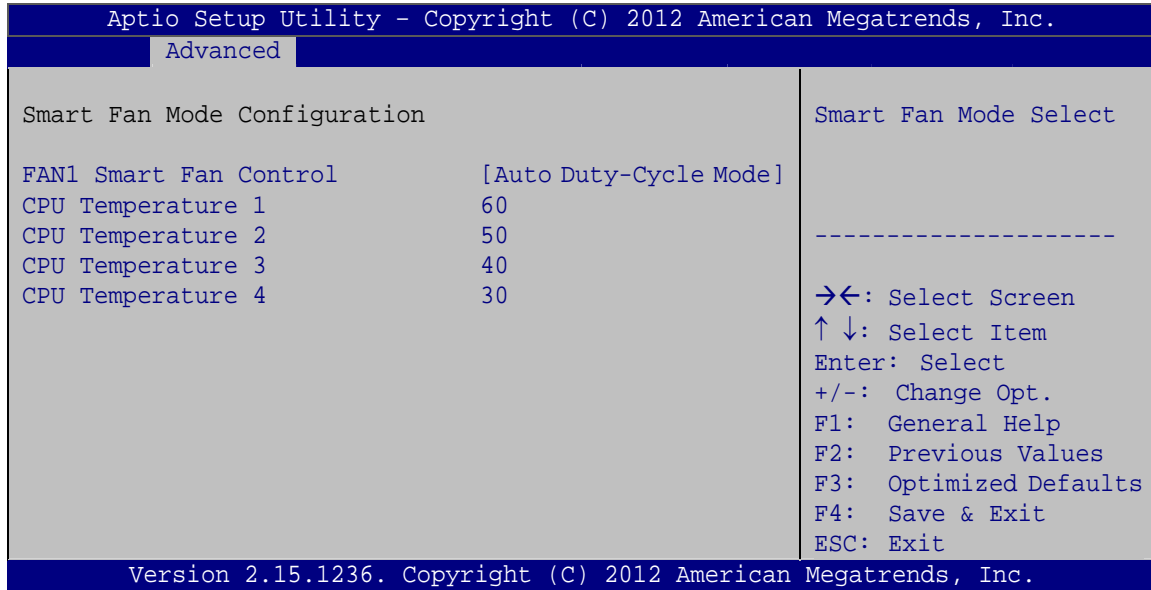


BIOS Menu 11: F81866 H/W Monitor

5.3.7.1 Smart Fan Mode Configuration

Use the **Smart Fan Mode Configuration** submenu (**BIOS Menu 12**) to configure the smart fan temperature and speed settings.

WAFER-KBN-i1 3.5" SBC



BIOS Menu 12: Smar Fan Mode Configuration

→ FAN1 Smart Fan Control [Auto Duty-Cycle Mode]

Use the **FAN1 Smart Fan Control** option to configure the system fan.

→ **Manual Duty Mode** The fan spins at the speed set in Manual by Duty-Cycle settings

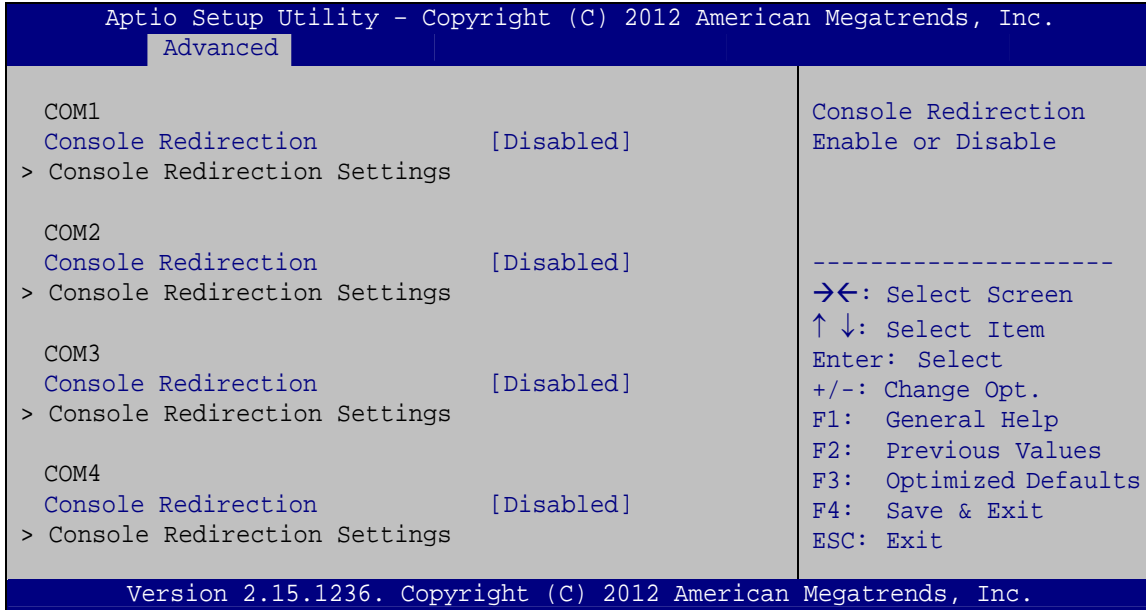
→ **Auto Duty-Cycle Mode** **DEFAULT** The fan adjusts its speed using Auto by Duty-Cycle settings

→ CPU Temperature n

Use the + or – key to change the **CPU Temperature n** value. Enter a decimal number between 1 and 100.

5.3.8 Serial Port Console Redirection

The **Serial Port Console Redirection** menu (**BIOS Menu 13**) allows the console redirection options to be configured. Console redirection allows users to maintain a system remotely by re-directing keyboard input and text output through the serial port.



BIOS Menu 13: Serial Port Console Redirection

➔ Console Redirection [Disabled]

Use **Console Redirection** option to enable or disable the console redirection function.

- ➔ **Disabled** **DEFAULT** Disabled the console redirection function
- ➔ **Enabled** Enabled the console redirection function



NOTE:

The following options are available in the **Console Redirection Settings** submenu when the **Console Redirection** option is enabled.

WAFER-KBN-i1 3.5" SBC

→ Terminal Type [ANSI]

Use the **Terminal Type** option to specify the remote terminal type.

- VT100 The target terminal type is VT100
- VT100+ The target terminal type is VT100+
- VT-UTF8 The target terminal type is VT-UTF8
- ANSI **DEFAULT** The target terminal type is ANSI

→ Bits per second [115200]

Use the **Bits per second** option to specify the serial port transmission speed. The speed must match the other side. Long or noisy lines may require lower speeds.

- 9600 Sets the serial port transmission speed at 9600.
- 19200 Sets the serial port transmission speed at 19200.
- 38400 Sets the serial port transmission speed at 38400.
- 57600 Sets the serial port transmission speed at 57600.
- 115200 **DEFAULT** Sets the serial port transmission speed at 115200.

→ Data Bits [8]

Use the **Data Bits** option to specify the number of data bits.

- 7 Sets the data bits at 7.
- 8 **DEFAULT** Sets the data bits at 8.

→ Parity [None]

Use the **Parity** option to specify the parity bit that can be sent with the data bits for detecting the transmission errors.

- None **DEFAULT** No parity bit is sent with the data bits.
- Even The parity bit is 0 if the number of ones in the data bits is even.

WAFER-KBN-i1 3.5" SBC

5.4.1 Southbridge Configuration

Use the **South Bridge** menu (**BIOS Menu 15**) to configure the Southbridge parameters.

```

Aptio Setup Utility - Copyright (C) 2012 American Megatrends, Inc.
Chipset
-----
Auto Power Button Status      [Disabled(ATX)]
Restore AC Power Loss         [Last State]
Power Saving Function(ERP)    [Disabled]
> SB SATA Configuration
> SB HD Azalia Configuration

Wireless LAN Device          [Enabled]
LVDS Output                   [Disabled]

-----
Select AC power state
when power is re-applied
after a power failure.

-----
-><: Select Screen
↑↓: Select Item
Enter: Select
+/-: Change Opt.
F1: General Help
F2: Previous Values
F3: Optimized Defaults
F4: Save & Exit
ESC: Exit

Version 2.15.1236. Copyright (C) 2012 American Megatrends, Inc.
    
```

BIOS Menu 15: Southbridge Configuration

➔ Restore AC Power Loss [Last State]

Use the **Restore AC Power Loss** BIOS option to specify what state the system returns to if there is a sudden loss of power to the system.

- ➔ **Power Off** The system remains turned off
- ➔ **Power On** The system turns on
- ➔ **Last State** **DEFAULT** The system returns to its previous state. If it was on, it turns itself on. If it was off, it remains off.

➔ Power Saving Function(ERP) [Disabled]

Use the **Power Saving Function(ERP)** BIOS option to enable or disable the power saving function.

- ➔ **Disabled** **DEFAULT** Power saving function is disabled.
- ➔ **Enabled** Power saving function is enabled. It will reduce power consumption when the system is off.

➔ **Wireless LAN Device [Enabled]**

Use the **Wireless LAN Device** BIOS option to enable or disable the wireless LAN device.

- ➔ **Disabled** Wireless LAN device is disabled.
- ➔ **Enabled** **DEFAULT** Wireless LAN device is enabled.

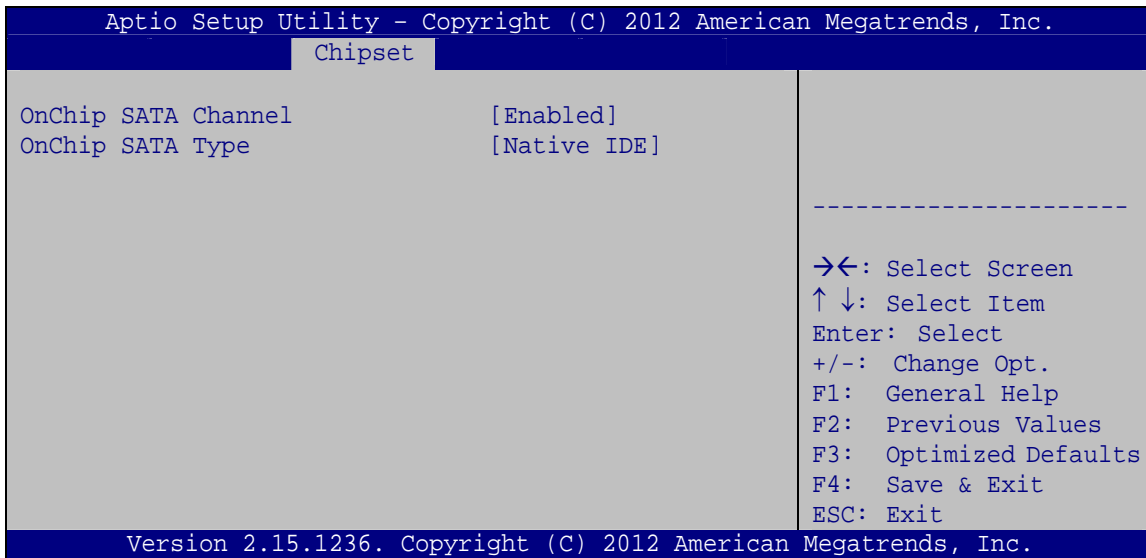
➔ **LVDS Output [Disabled]**

Use the **LVDS Output** BIOS option to enable or disable the LVDS output function.

- ➔ **Disabled** **DEFAULT** LVDS output function is disabled.
- ➔ **Enabled** LVDS output function is enabled.

5.4.1.1 SB SATA Configuration

Use the **SB SATA Configuration** menu (**BIOS Menu 16**) to change and/or set the configuration of the SATA devices installed in the system.



BIOS Menu 16: SB SATA Configuration

WAFER-KBN-i1 3.5" SBC

➔ OnChip SATA Channel [Enabled]

Use the **OnChip SATA Channel** option to configure the on-chip serial ATA channel.

- ➔ **Enabled** **DEFAULT** Enables the on-chip serial ATA channel.
- ➔ **Disabled** Disables the on-chip serial ATA channel.

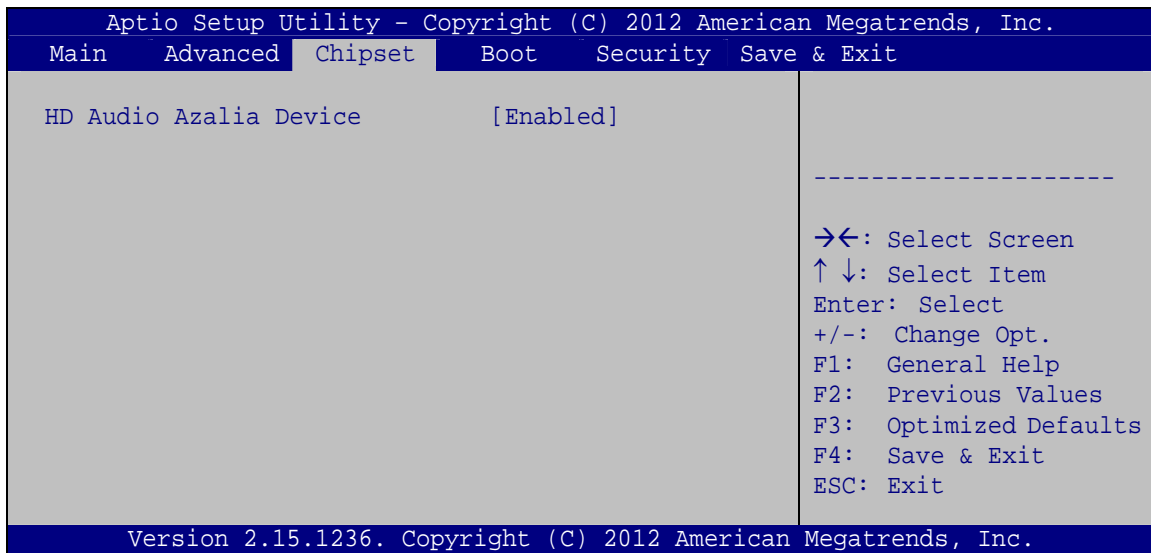
➔ OnChip SATA Type [Native IDE]

Use the **OnChip SATA Type** option to configure SATA devices as normal IDE devices.

- ➔ **Native IDE** **DEFAULT** Configures SATA devices as normal IDE device.
- ➔ **AHCI** Configures SATA devices as AHCI device.

5.4.1.2 SB HD Azalia Configuration

Use the **SB HD Azalia Configuration** menu (**BIOS Menu 17**) to configure the HD Azalia settings.



BIOS Menu 17: SB HD Azalia Configuration Menu

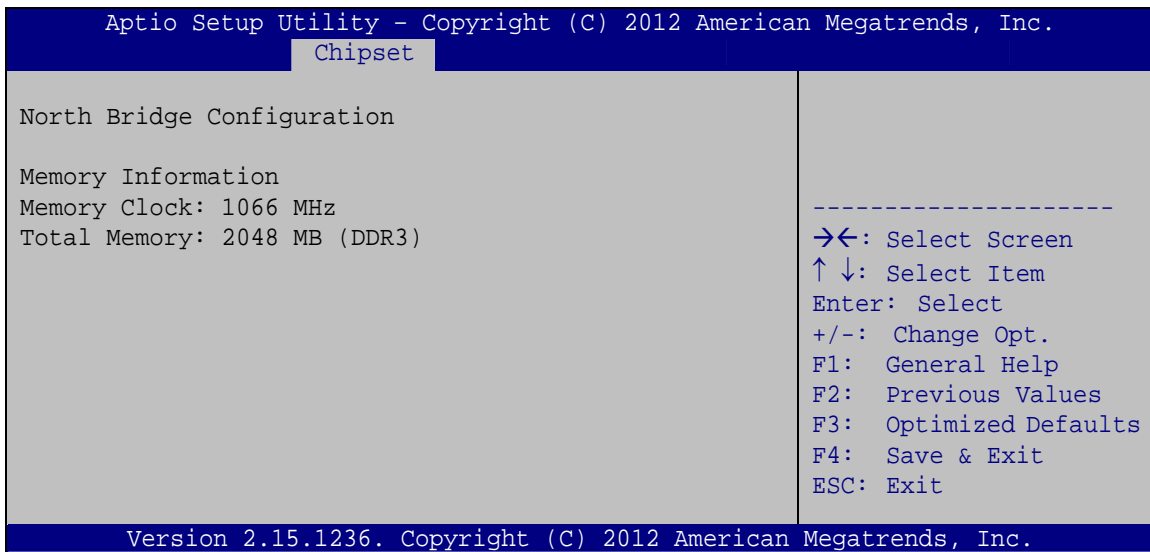
➔ HD Audio Azalia Device [Enabled]

Use the **HD Audio Azalia Device** option to enable or disable the High Definition Audio controller.

- ➔ **Auto** The onboard High Definition Audio controller automatically detected and enabled
- ➔ **Disabled** The onboard High Definition Audio controller is disabled
- ➔ **Enabled** **DEFAULT** The onboard High Definition Audio controller is enabled

5.4.2 Northbridge Configuration

Use the **North Bridge** menu (**BIOS Menu 18**) to display the memory information.

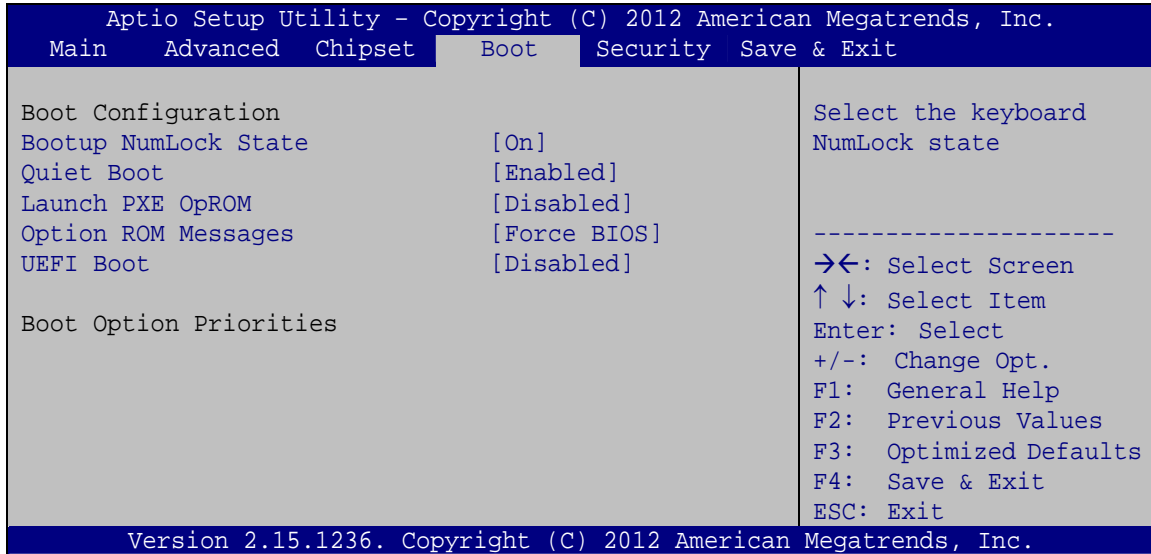


BIOS Menu 18: Northbridge Configuration

WAFER-KBN-i1 3.5" SBC

5.5 Boot

Use the **Boot menu (BIOS Menu 19)** to configure system boot options.



BIOS Menu 19: Boot

→ Bootup NumLock State [On]

Use the **Bootup NumLock State** BIOS option to specify if the number lock setting must be modified during boot up.

- **On** **DEFAULT** Allows the Number Lock on the keyboard to be enabled automatically when the computer system boots up. This allows the immediate use of the 10-key numeric keypad located on the right side of the keyboard. To confirm this, the Number Lock LED light on the keyboard is lit.
- **Off** Does not enable the keyboard Number Lock automatically. To use the 10-keys on the keyboard, press the Number Lock key located on the upper left-hand corner of the 10-key pad. The Number Lock LED on the keyboard lights up when the Number Lock is engaged.

➔ **Quiet Boot [Enabled]**

Use the **Quiet Boot** BIOS option to select the screen display when the system boots.

- ➔ **Disabled** Normal POST messages displayed
- ➔ **Enabled DEFAULT** OEM Logo displayed instead of POST messages

➔ **Launch PXE OpROM [Disabled]**

Use the **Launch PXE OpROM** option to enable or disable boot option for legacy network devices.

- ➔ **Disabled DEFAULT** Ignore all PXE Option ROMs
- ➔ **Enabled** Load PXE Option ROMs.

➔ **Option ROM Messages [Force BIOS]**

Use the **Option ROM Messages** option to set the Option ROM display mode.

- ➔ **Force DEFAULT** Sets display mode to force BIOS.
BIOS
- ➔ **Keep** Sets display mode to current.
Current

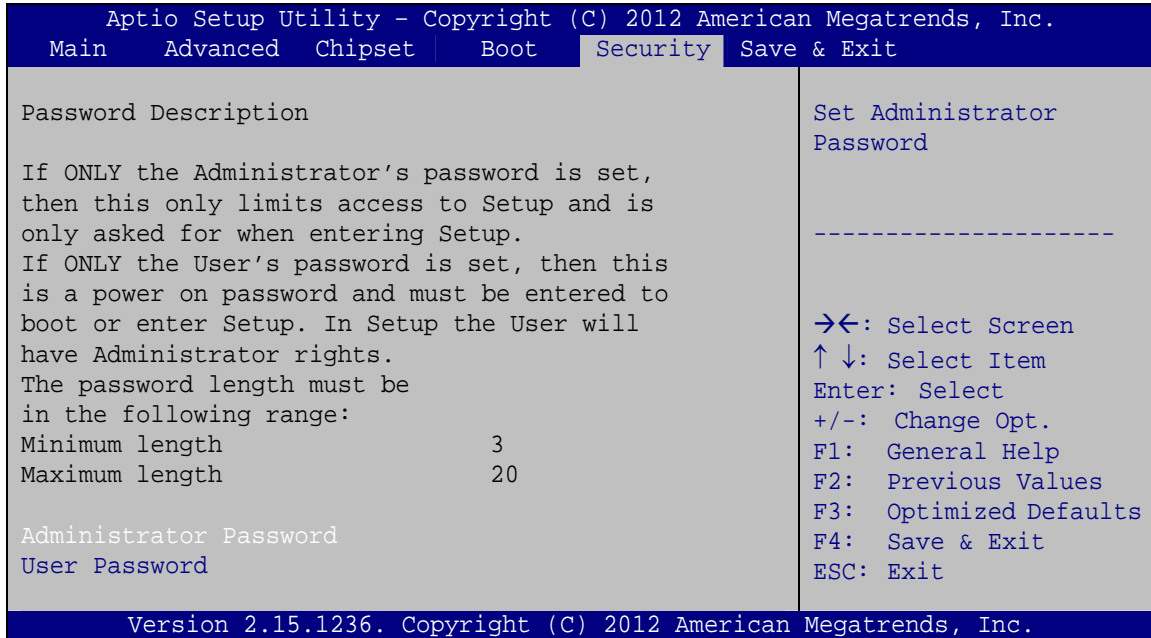
➔ **UEFI Boot [Disabled]**

Use the **UEFI Boot** BIOS option to allow the system to boot from the UEFI devices.

- ➔ **Disabled DEFAULT** Disables to boot from the UEFI devices.
- ➔ **Enabled** Enables to boot from the UEFI devices.

5.6 Security

Use the **Security** menu (**BIOS Menu 20**) to set system and user passwords.



BIOS Menu 20: Security

➔ Administrator Password

Use the **Administrator Password** to set or change an administrator password.

➔ User Password

Use the **User Password** to set or change a user password.

5.7 Save & Exit

Use the **Save & Exit** menu (**BIOS Menu 21**) to load default BIOS values, optimal failsafe values and to save configuration changes.

```
Aptio Setup Utility - Copyright (C) 2012 American Megatrends, Inc.
Main   Advanced  Chipset  Boot   Security  Save & Exit

Save Changes and Reset
Discard Changes and Reset

Restore Defaults
Save as User Defaults
Restore User Defaults

Reset the system after
saving the changes.

-----
-><: Select Screen
↑↓: Select Item
Enter: Select
+/-: Change Opt.
F1:  General Help
F2:  Previous Values
F3:  Optimized Defaults
F4:  Save & Exit
ESC: Exit

Version 2.15.1236. Copyright (C) 2012 American Megatrends, Inc.
```

BIOS Menu 21: Save & Exit

→ Save Changes and Reset

Use the **Save Changes and Reset** option to save the changes made to the BIOS options and reset the system.

→ Discard Changes and Reset

Use the **Discard Changes and Reset** option to exit the system without saving the changes made to the BIOS configuration setup program.

→ Restore Defaults

Use the **Restore Defaults** option to load the optimal default values for each of the parameters on the Setup menus. **F3 key can be used for this operation.**

→ Save as User Defaults

Use the **Save as User Defaults** option to save the changes done so far as user defaults.

→ Restore User Defaults

Use the **Restore User Defaults** option to restore the user defaults to all the setup options.

Chapter

6

Software Drivers

6.1 Available Software Drivers



NOTE:

The content of the CD may vary throughout the life cycle of the product and is subject to change without prior notice. Visit the IEI website or contact technical support for the latest updates.

The following drivers can be installed on the system:

- Graphics
- LAN
- Audio

Installation instructions are given below.

6.2 Starting the Driver Program

To access the driver installation programs, please do the following.

Step 1: Insert the CD that came with the system into a CD drive connected to the system.



NOTE:

If the installation program doesn't start automatically:
Click "Start->Computer->CD Drive->autorun.exe"

Step 2: The driver main menu appears.

Step 3: Click WAFER-KBN-i1.

Step 4: The list of drivers appears.

6.3 Graphics Driver Installation

To install the graphics driver, please do the following.

Step 1: Access the driver list. (See **Section 6.2**)

Step 2: Click **Graphics** and select the folder which corresponds to the operating system.

Step 3: Locate the setup file and double click on it.

Step 4: The **Welcome Screen** in **Figure 6-1** appears. Select the display language and click **Next** to continue.

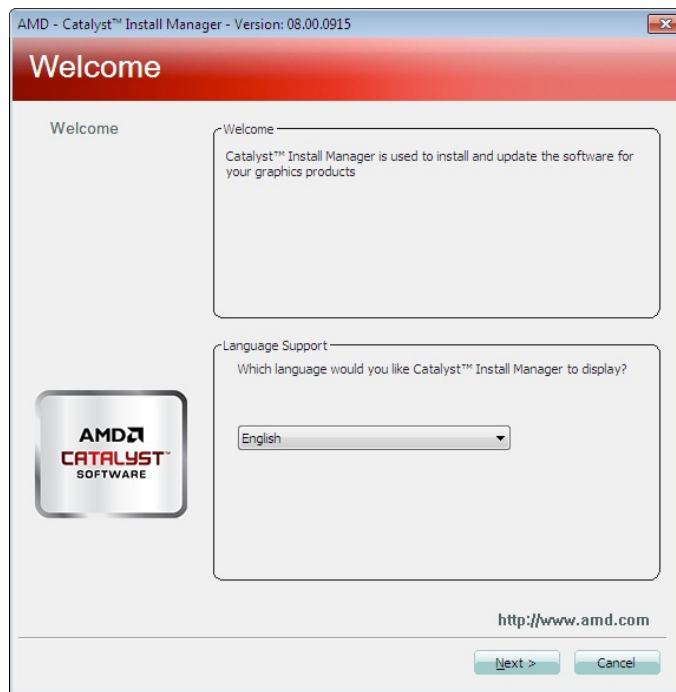


Figure 6-1: Graphics Driver Welcome Screen

Step 5: Click **Install** (**Figure 6-2**).

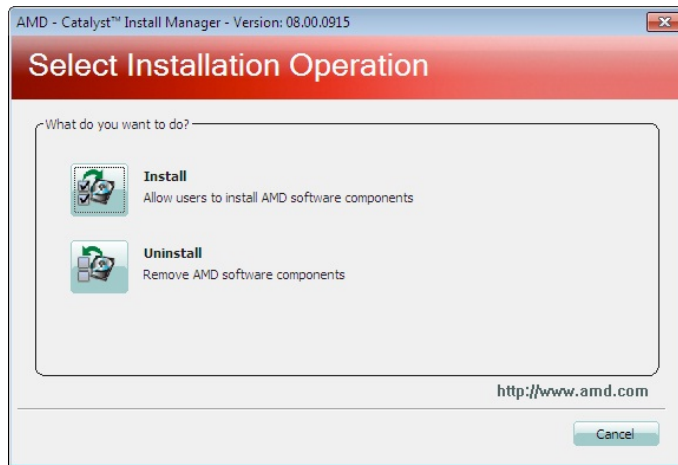


Figure 6-2: Select Installation Operation Screen

Step 6: The screen in **Figure 6-3** appears.

Step 7: Select **Express** or **Custom** installation and click **Next** to continue.

When selecting **Custom** installation, a screen with component selection will appear, allowing the user to select the components to install.



Figure 6-3: Select Express or Custom Install Screen

WAFER-KBN-i1 3.5" SBC

Step 8: The license agreement in **Figure 6-4** appears.

Step 9: Read the **License Agreement**, then click **Accept** to continue.

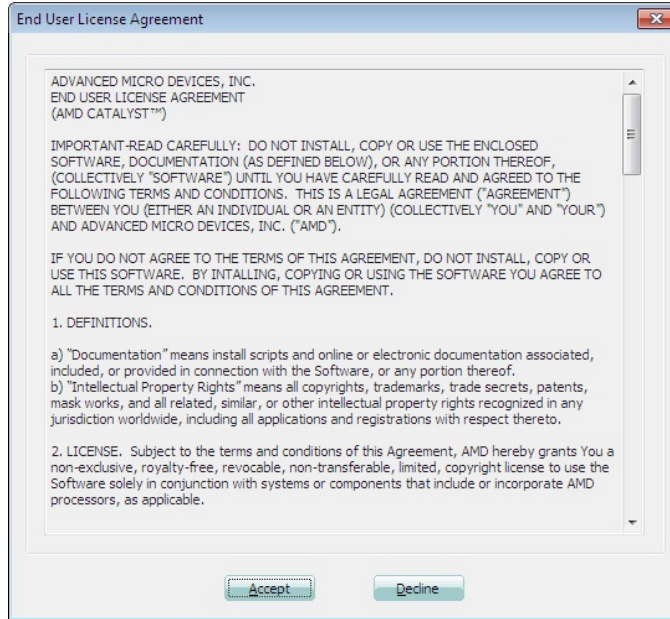


Figure 6-4: Graphics Driver License Agreement

Step 10: Setup operations are performed as shown in **Figure 6-5**.



Figure 6-5: Graphics Driver Setup Operations

Step 11: The **Finished** screen in **Figure 6-6** appears. Click **Finish** to exit.

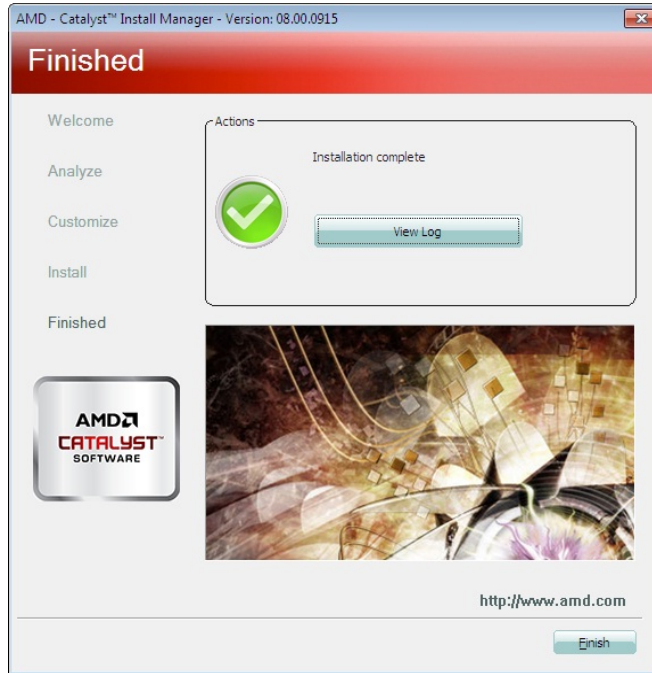


Figure 6-6: Graphics Driver Installation Finished Screen

Step 12: The message in **Figure 6-7** appears. Click **Yes** to restart the system.

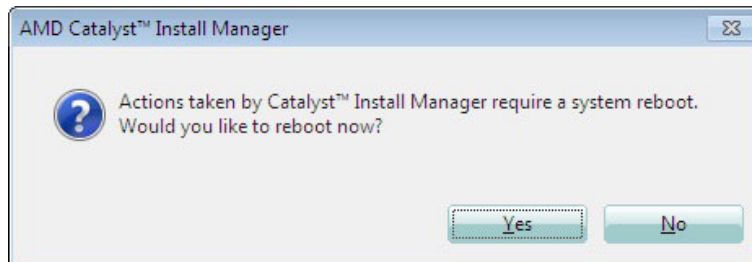


Figure 6-7: Reboot Screen

6.4 LAN Driver Installation

To install the LAN driver, please do the following.

Step 1: Access the driver list. (See **Section 6.2**)

Step 2: Click **LAN**.

Step 3: Select the folder with the driver of correspondent LAN controller.

WAFER-KBN-i1 3.5" SBC

- Step 4:** Locate the Autorun file and double click on it.
- Step 5:** The Intel® Network Connection menu in **Figure 6-8** appears.
- Step 6:** Click **Install Drivers and Software**.

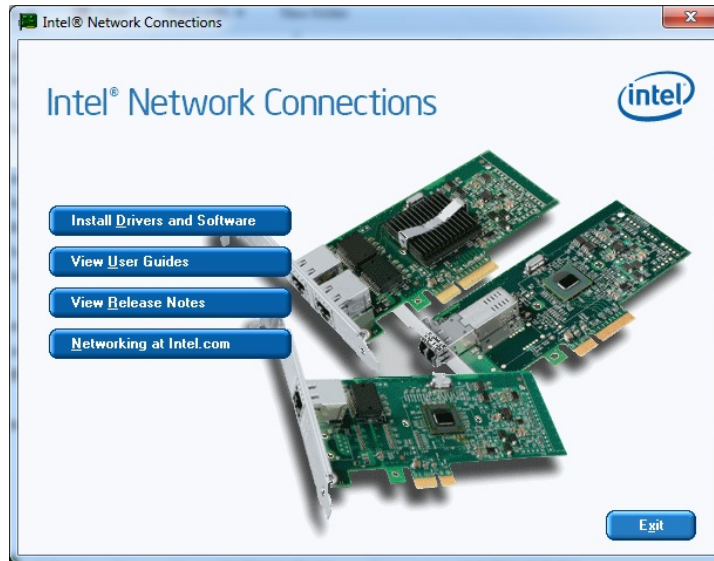


Figure 6-8: Intel® Network Connection Menu

- Step 7:** The **Welcome** screen in **Figure 6-9** appears.



Figure 6-9: LAN Driver Welcome Screen

- Step 8:** Click **Next** to continue.

Step 9: The **License Agreement** in **Figure 6-10** appears.

Step 10: Accept the agreement by selecting **"I accept the terms in the license agreement"**.

Step 11: Click **Next** to continue.

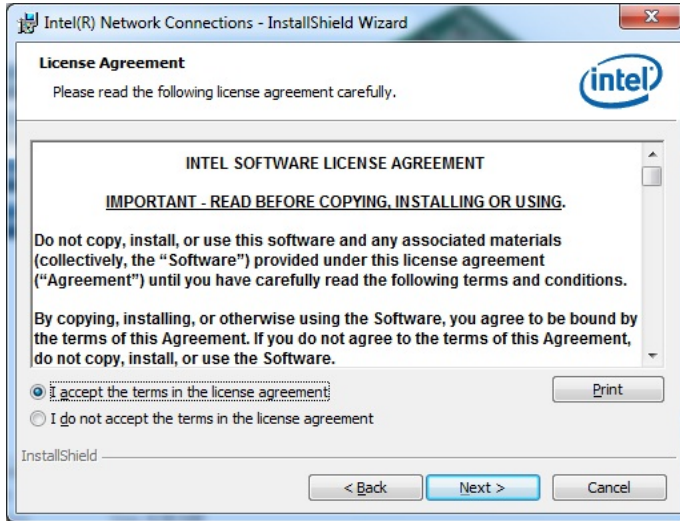


Figure 6-10: LAN Driver License Agreement

Step 12: The **Setup Options** screen in **Figure 6-11** appears.

Step 13: Select program features to install.

Step 14: Click **Next** to continue.

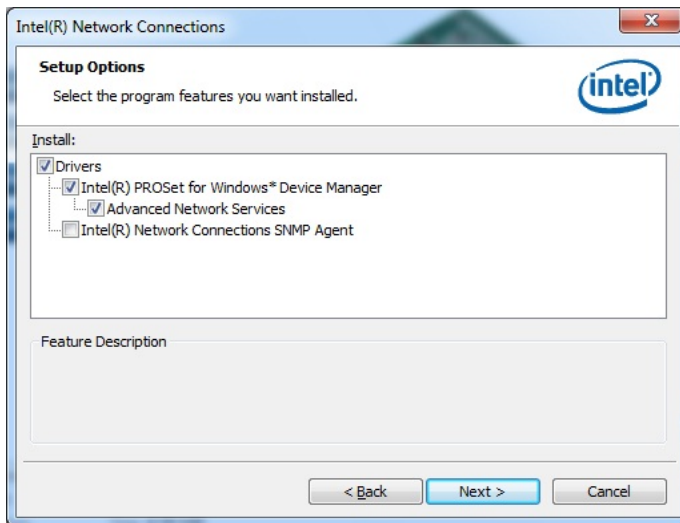


Figure 6-11: LAN Driver Setup Options

WAFER-KBN-i1 3.5" SBC

Step 15: The **Ready to Install the Program** screen in **Figure 6-12** appears.

Step 16: Click **Install** to proceed with the installation.

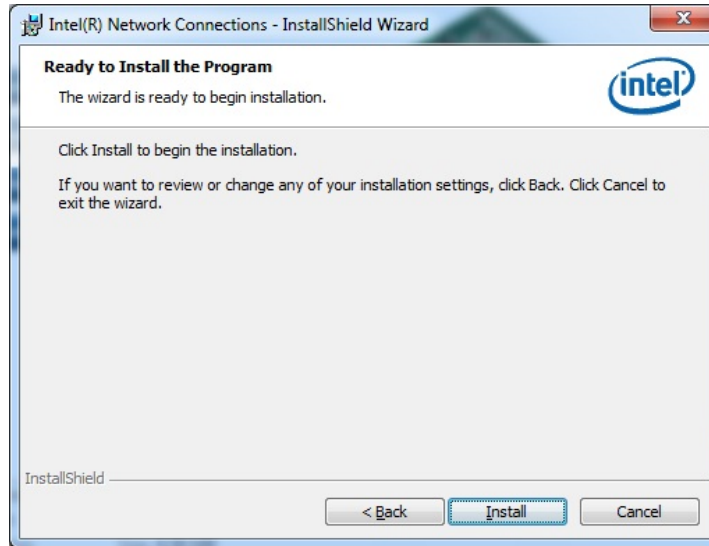


Figure 6-12: LAN Driver Installation

Step 17: The program begins to install.

Step 18: When the driver installation is complete, the screen in **Figure 6-13** appears.

Step 19: Click **Finish** to exit.

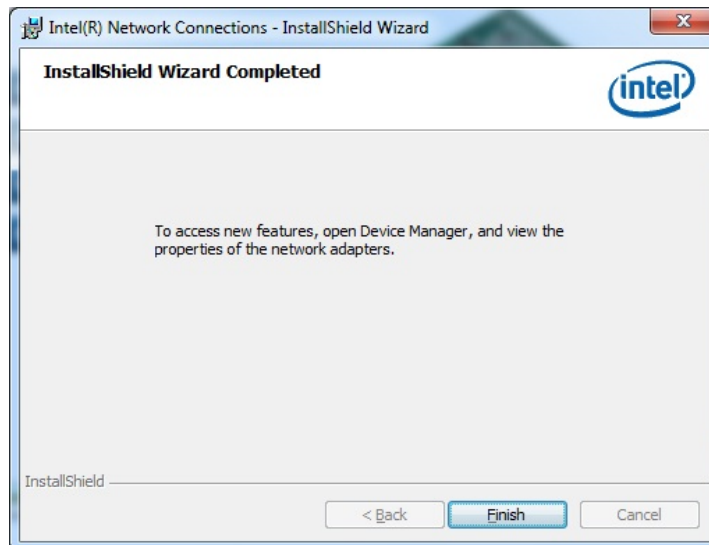


Figure 6-13: LAN Driver Installation Complete

6.5 Audio Driver Installation

To install the Audio driver, please do the following.

Step 1: Access the driver list. (See **Section 6.2**)

Step 2: Click **Audio** and select the folder which corresponds to the operating system.

Step 3: Double click the setup file.

Step 4: The **InstallShield Wizard** is prepared to guide the user through the rest of the process

Step 5: Once initialized, the **InstallShield Wizard** welcome screen appears (**Figure 6-14**).

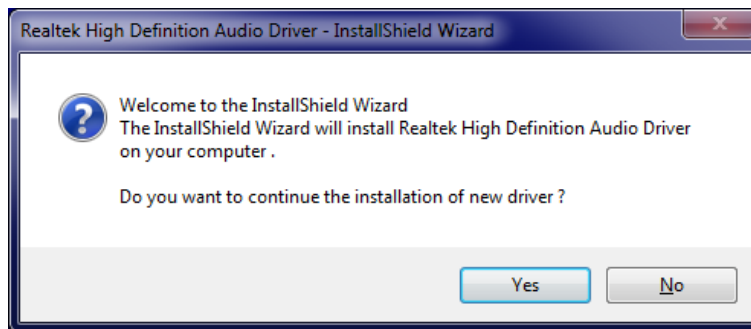


Figure 6-14: Audio Driver Welcome Screen

Step 6: Click **Yes** to continue.

Step 7: The program begins to install. See **Figure 6-15**.

WAFER-KBN-i1 3.5" SBC

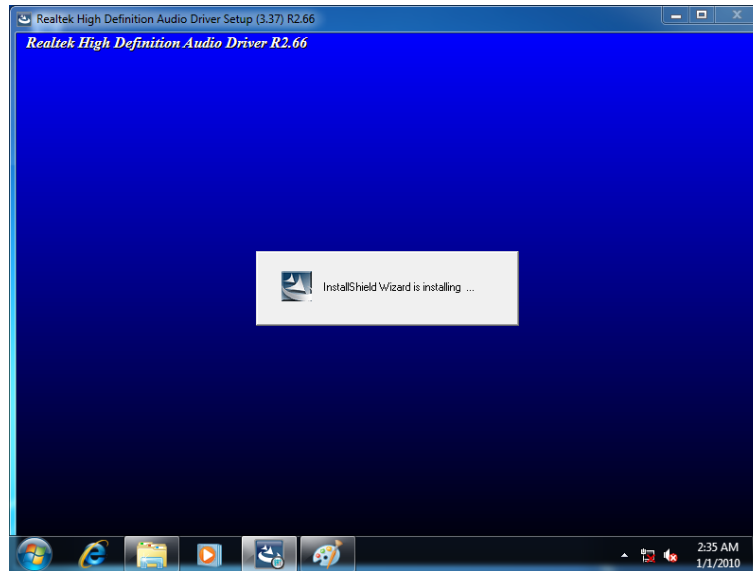


Figure 6-15: Audio Driver Installation

Step 8: When the driver installation is complete, the screen in **Figure 6-16** appears.

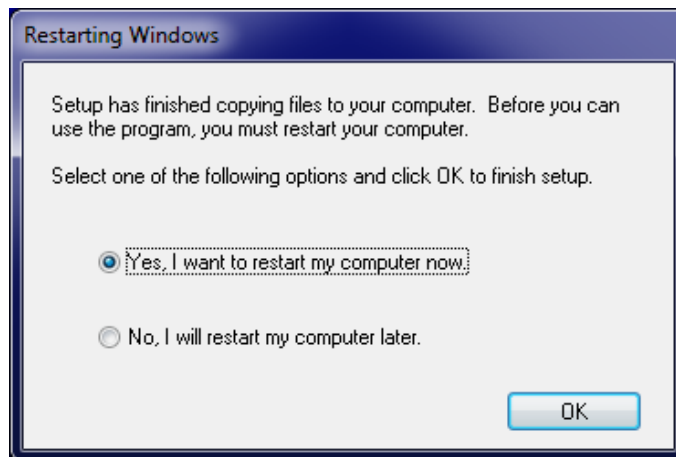


Figure 6-16: Audio Driver Installation Complete

Step 9: Select “Yes, I want to restart my computer now” and click **OK**.

Step 10: The system reboots.

Appendix

A

Regulatory Compliance

DECLARATION OF CONFORMITY

This equipment has been tested and found to comply with specifications for CE marking. If the user modifies and/or installs other devices in the equipment, the CE conformity declaration may no longer apply.

FCC WARNING

This equipment complies with Part 15 of the FCC Rules. Operation is subject to the following two conditions:

- This device may not cause harmful interference, and
- This device must accept any interference received, including interference that may cause undesired operation.

This equipment has been tested and found to comply with the limits for a Class A digital device, pursuant to part 15 of the FCC Rules. These limits are designed to provide reasonable protection against harmful interference when the equipment is operated in a commercial environment. This equipment generates, uses, and can radiate radio frequency energy and, if not installed and used in accordance with the instruction manual, may cause harmful interference to radio communications. Operation of this equipment in a residential area is likely to cause harmful interference in which case the user will be required to correct the interference at his own expense.

Appendix

B

BIOS Options

WAFER-KBN-i1 3.5" SBC

Below is a list of BIOS configuration options in the BIOS chapter.

System Date [xx/xx/xx]	74
System Time [xx:xx:xx]	74
ACPI Sleep State [S3 only (Suspend to RAM)]	76
Wake system with Fixed Time [Disabled]	77
SVM Mode [Enabled]	78
Core Leveling Mode [Automatic mode]	78
USB Devices	80
Legacy USB Support [Enabled]	80
Serial Port [Enabled]	82
Change Settings [Auto]	82
Serial Port [Enabled]	83
Change Settings [Auto]	83
Serial Port [Enabled]	84
Change Settings [Auto]	84
Serial Port [Enabled]	85
Change Settings [Auto]	85
FAN1 Smart Fan Control [Auto Duty-Cycle Mode]	87
CPU Temperature n	87
Console Redirection [Disabled]	88
Terminal Type [ANSI]	89
Bits per second [115200]	89
Data Bits [8]	89
Parity [None]	89
Stop Bits [1]	90
Restore AC Power Loss [Last State]	91
Power Saving Function(ERP) [Disabled]	91
Wireless LAN Device [Enabled]	92
LVDS Output [Disabled]	92
OnChip SATA Channel [Enabled]	93
OnChip SATA Type [Native IDE]	93
HD Audio Azalia Device [Enabled]	93
Bootup NumLock State [On]	95
Quiet Boot [Enabled]	96

Launch PXE OpROM [Disabled]	96
Option ROM Messages [Force BIOS].....	96
UEFI Boot [Disabled]	96
Administrator Password	97
User Password	97
Save Changes and Reset	98
Discard Changes and Reset	98
Restore Defaults	98
Save as User Defaults	98
Restore User Defaults	98

Appendix

C

Terminology

AC '97	Audio Codec 97 (AC'97) refers to a codec standard developed by Intel® in 1997.
ACPI	Advanced Configuration and Power Interface (ACPI) is an OS-directed configuration, power management, and thermal management interface.
AHCI	Advanced Host Controller Interface (AHCI) is a SATA Host controller register-level interface.
ATA	The Advanced Technology Attachment (ATA) interface connects storage devices including hard disks and CD-ROM drives to a computer.
ARMD	An ATAPI Removable Media Device (ARMD) is any ATAPI device that supports removable media, besides CD and DVD drives.
ASKIR	Amplitude Shift Keyed Infrared (ASKIR) is a form of modulation that represents a digital signal by varying the amplitude ("volume") of the signal. A low amplitude signal represents a binary 0, while a high amplitude signal represents a binary 1.
BIOS	The Basic Input/Output System (BIOS) is firmware that is first run when the computer is turned on and can be configured by the end user
CODEC	The Compressor-Decompressor (CODEC) encodes and decodes digital audio data on the system.
CompactFlash®	CompactFlash® is a solid-state storage device. CompactFlash® devices use flash memory in a standard size enclosure. Type II is thicker than Type I, but a Type II slot can support both types.
CMOS	Complimentary metal-oxide-conductor is an integrated circuit used in chips like static RAM and microprocessors.
COM	COM refers to serial ports. Serial ports offer serial communication to expansion devices. The serial port on a personal computer is usually a male DB-9 connector.
DAC	The Digital-to-Analog Converter (DAC) converts digital signals to analog signals.
DDR	Double Data Rate refers to a data bus transferring data on both the rising and falling edges of the clock signal.

WAFER-KBN-i1 3.5" SBC

DMA	Direct Memory Access (DMA) enables some peripheral devices to bypass the system processor and communicate directly with the system memory.
DIMM	Dual Inline Memory Modules are a type of RAM that offer a 64-bit data bus and have separate electrical contacts on each side of the module.
DIO	The digital inputs and digital outputs are general control signals that control the on/off circuit of external devices or TTL devices. Data can be read or written to the selected address to enable the DIO functions.
EHCI	The Enhanced Host Controller Interface (EHCI) specification is a register-level interface description for USB 2.0 Host Controllers.
EIDE	Enhanced IDE (EIDE) is a newer IDE interface standard that has data transfer rates between 4.0 MBps and 16.6 MBps.
EIST	Enhanced Intel® SpeedStep Technology (EIST) allows users to modify the power consumption levels and processor performance through application software. The application software changes the bus-to-core frequency ratio and the processor core voltage.
FSB	The Front Side Bus (FSB) is the bi-directional communication channel between the processor and the Northbridge chipset.
GbE	Gigabit Ethernet (GbE) is an Ethernet version that transfers data at 1.0 Gbps and complies with the IEEE 802.3-2005 standard.
GPIO	General purpose input
HDD	Hard disk drive (HDD) is a type of magnetic, non-volatile computer storage device that stores digitally encoded data.
ICH	The Input/Output Control Hub (ICH) is an Intel® Southbridge chipset.
IrDA	Infrared Data Association (IrDA) specify infrared data transmission protocols used to enable electronic devices to wirelessly communicate with each other.
L1 Cache	The Level 1 Cache (L1 Cache) is a small memory cache built into the system processor.
L2 Cache	The Level 2 Cache (L2 Cache) is an external processor memory cache.

LCD	Liquid crystal display (LCD) is a flat, low-power display device that consists of two polarizing plates with a liquid crystal panel in between.
LVDS	Low-voltage differential signaling (LVDS) is a dual-wire, high-speed differential electrical signaling system commonly used to connect LCD displays to a computer.
POST	The Power-on Self Test (POST) is the pre-boot actions the system performs when the system is turned-on.
RAM	Random Access Memory (RAM) is volatile memory that loses data when power is lost. RAM has very fast data transfer rates compared to other storage like hard drives.
SATA	Serial ATA (SATA) is a serial communications bus designed for data transfers between storage devices and the computer chipsets.
S.M.A.R.T	Self Monitoring Analysis and Reporting Technology (S.M.A.R.T) refers to automatic status checking technology implemented on hard disk drives.
UART	Universal Asynchronous Receiver-transmitter (UART) is responsible for asynchronous communications on the system and manages the system's serial communication (COM) ports.
UHCI	The Universal Host Controller Interface (UHCI) specification is a register-level interface description for USB 1.1 Host Controllers.
USB	The Universal Serial Bus (USB) is an external bus standard for interfacing devices. USB 1.1 supports 12Mbps data transfer rates and USB 2.0 supports 480Mbps data transfer rates.
VGA	The Video Graphics Array (VGA) is a graphics display system developed by IBM.

Appendix

D

Digital I/O Interface

D.1 Introduction

The DIO connector on the WAFER-KBN-i1 is interfaced to GPIO ports on the Super I/O chipset. The digital inputs and digital outputs are generally control signals that control the on/off circuit of external devices or TTL devices. Data can be read or written to the selected address to enable the DIO functions.



NOTE:

For further information, please refer to the datasheet for the Super I/O chipset.

The BIOS interrupt call **INT 15H** controls the digital I/O.

INT 15H:

AH – 6FH
<u>Sub-function:</u>
AL – 8 : Set the digital port as INPUT
AL : Digital I/O input value

WAFER-KBN-i1 3.5" SBC

D.2 Assembly Language Sample 1

```

MOV     AX, 6F08H      ;setting the digital port as input
INT     15H           ;

```

AL low byte = value

AH – 6FH
<u>Sub-function:</u>
AL – 9 : Set the digital port as OUTPUT
BL : Digital I/O input value

D.3 Assembly Language Sample 2

```

MOV     AX, 6F09H      ;setting the digital port as output
MOV     BL, 09H        ;digital value is 09H
INT     15H           ;

```

Digital Output is 1001b

Appendix

E

Hazardous Materials Disclosure

WAFER-KBN-i1 3.5" SBC

The details provided in this appendix are to ensure that the product is compliant with the Peoples Republic of China (China) RoHS standards. The table below acknowledges the presences of small quantities of certain materials in the product, and is applicable to China RoHS only.

A label will be placed on each product to indicate the estimated “Environmentally Friendly Use Period” (EFUP). This is an estimate of the number of years that these substances would “not leak out or undergo abrupt change.” This product may contain replaceable sub-assemblies/components which have a shorter EFUP such as batteries and lamps. These components will be separately marked.

Please refer to below table.

Part Name	Toxic or Hazardous Substances and Elements					
	Lead (Pb)	Mercury (Hg)	Cadmium (Cd)	Hexavalent Chromium (CR(VI))	Polybrominated Biphenyls (PBB)	Polybrominated Diphenyl Ethers (PBDE)
Housing	O	O	O	O	O	O
Display	O	O	O	O	O	O
Printed Circuit Board	O	O	O	O	O	O
Metal Fasteners	O	O	O	O	O	O
Cable Assembly	O	O	O	O	O	O
Fan Assembly	O	O	O	O	O	O
Power Supply Assemblies	O	O	O	O	O	O
Battery	O	O	O	O	O	O

O: This toxic or hazardous substance is contained in all of the homogeneous materials for the part is below the limit requirement in SJ/T11363-2006 (now replaced by GB/T 26572-2011).

X: This toxic or hazardous substance is contained in at least one of the homogeneous materials for this part is above the limit requirement in SJ/T11363-2006 (now replaced by GB/T 26572-2011).

此附件旨在确保本产品符合中国 RoHS 标准。以下表格标示此产品中某有毒物质的含量符合中国 RoHS 标准规定的限量要求。

本产品上会附有“环境友好使用期限”的标签，此期限是估算这些物质“不会有泄漏或突变”的年限。本产品可能包含有较短的环境友好使用期限的可替换元件，像是电池或灯管，这些元件将会单独标示出来。

部件名称	有毒有害物质或元素					
	铅 (Pb)	汞 (Hg)	镉 (Cd)	六价铬 (CR(VI))	多溴联苯 (PBB)	多溴二苯 醚 (PBDE)
壳体	○	○	○	○	○	○
显示	○	○	○	○	○	○
印刷电路板	○	○	○	○	○	○
金属螺帽	○	○	○	○	○	○
电缆组装	○	○	○	○	○	○
风扇组装	○	○	○	○	○	○
电力供应组装	○	○	○	○	○	○
电池	○	○	○	○	○	○

○: 表示该有毒有害物质在该部件所有物质材料中的含量均在 SJ/T11363-2006 (现由 GB/T 26572-2011 取代) 标准规定的限量要求以下。

X: 表示该有毒有害物质至少在该部件的某一均质材料中的含量超出 SJ/T11363-2006 (现由 GB/T 26572-2011 取代) 标准规定的限量要求。