

NS-205PSE

5-Port Industrial 10/100 Mbps PoE Ethernet Switch



Introduction:

The NS-205PSE is a 5-port unmanaged PoE (Power-over-Ethernet) Industrial Ethernet switch, it supports 4 PoE ports which are classified as power source equipments (PSE).The NS-205PSE makes centralized power supply come true and provides up to 15.4 watts of power per port. The NS-205PSE can be used to power IEEE802.3af compliant powered devices (PD) by Ethernet cable and eliminates the need for additional power wiring.

Features:

- Automatic MDI/MDI-X crossover for plug-and-play
- Each port supports both 10/100Mbps speed auto negotiation
- Store-and-forward architecture
- Full duplex IEEE 802.3x and half duplex backpressure flow control
- 3.2 Gbps high performance memory bandwidth.
- Power Input, +46 ~ +55V DC
- Operating temperatures, -40 ~ +75°C
- DIN-Rail
- IEEE 802.3af Compliant PoE Ports
- Four PoE ports with Power Sourcing Equipment (PSE) operation
- Auto-detection of PD (powered devices) and automatic power management
- Over-temperature, over-current and over/under-voltage detection

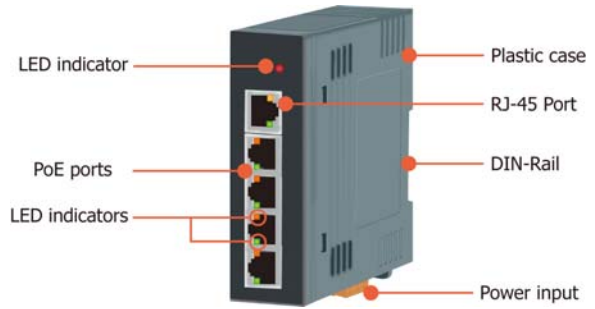
Specifications:

Technology	
Standards	IEEE 802.3, 802.3u, 802.3x ,802.3af (Power over Ethernet)
Processing Type	Store & forward, wire speed switching
MAC Addresses	1024
Memory Bandwidth	3.2 Gbps
Frame buffer memory	512 Kbit
Flow Control	IEEE802.3x flow control, back pressure flow control
Interface	
RJ45 ports	10/100 Base-T(X) auto negotiation speed, F/H duplex mode, and auto MDI/MDI-X connection
LED Indicators	Power, 10/100M, Link/Act , Power Device is detected
Ethernet Isolation	1500 Vrms 1 minute
Frame Ground for EMS Protection	Yes
Cable	Ethernet : 2-pair UTP/STP Cat.3,4,5, EIA/TIA-568 100-ohm Fast Ethernet : 2-pair UTP/STP Cat. 5, EIA/TIA-568 100-ohm
Power Input	
Input Voltage Range	+46 ~ +55VDC for PoE output
Power consumption	0.05 A@ 48 VDC without PD loading; 1.45 A@ 48 VDC with PD full loading
Protection	Power reverse polarity protection
Frame Ground for EMS Protection	Yes
Connection	3-Pin Removable Terminal Block
PoE Output	
PoE Compliance	100% IEEE 802.3af compliant
PoE Classification	PSE (Power Sourcing Equipment)
PoE Voltage	+46 ~ +48 VDC depending on power input
PoE Power	Up to 15.4 watts per channel
PoE Operation	Automatic detection and power management
Mechanical	
Case	Plastic
Flammability	UL 94V-0
Dimensions	33 mm x 107 mm x 99 mm (W x L x H)
Installation	DIN rail mount
Environmental	
Operating Temperature	-40 ~ +75°C
Storage Temperature	-40 ~ +85°C
Ambient Relative Humidity	10% ~ 90% HR, non-condensing

LED Indicator Functions:

LED Indicator Functions		
LED	Color	Description
Power	Red On	Power is On
	Red Off	Power is Off
Port 1 ~ Port 4	Orange On	Power Device is detected
	Green On	Link/Act
Port 5	Yellow On	Link to 100 Mbps
	Green On	Link/Act

Appearance:



Pin Function For Terminal Block:

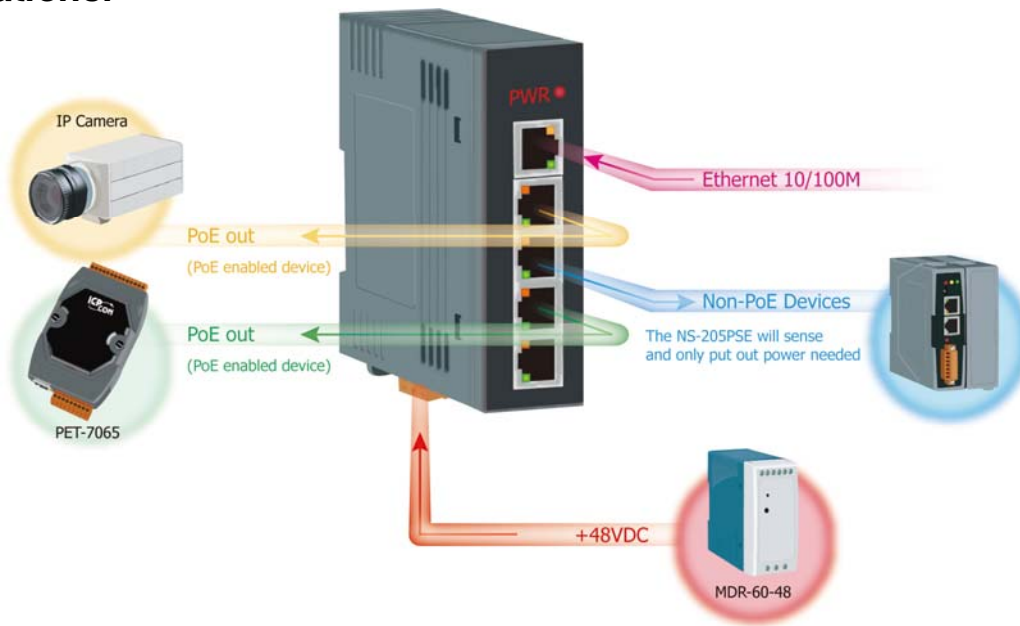
External power supply is connected using the removable terminal block:

+Vs : Power input (+46 ~ +55V) and should be connected to the power supply (+)

GND : Ground and should be connected to the power supply (-)

F.G. : F.G. stands for Frame Ground (protective ground). It is optional. If you use this pin, it can reduce EMI radiation; improve EMI performance and ESD protection.

Applications:



Dimensions:

