

# Robot-TP-65M 6.5" Teaching Pendant

## ■ 6.5" control terminal, easy to use

- 800 nits high luminance control terminal with touchscreen to present its graphical user interface.
- 6-meter long all-in-one cable allows easy installation
- Ergonomic body design, easy to operate

## ■ Durable construction

- Completely dust and splash proof (IP 64) design
- 1 meter drop resistance
- 0°C~50°C extended operating temperature



## ■ Programming with 33-key membrane keypad and safety functions

(Emergency stop, 3-position dead-man switch, mode select switch with key)



Robot Controller



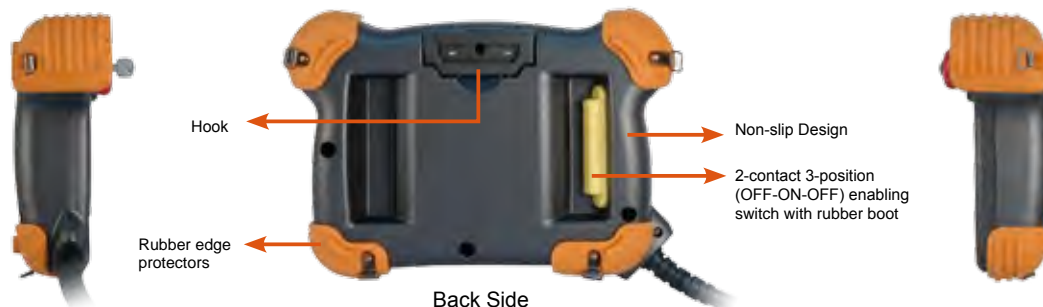
Mobile Display

## ■ Optimized keyboard layouts

Taking advantage of both real buttons the interface is straightforward for all users.



## ■ Equally suitable for right- or left-handed operation



1

IEI Mobile Solutions

2

Automation Panel Solutions

3

PACsmate Medical Solutions

4

Optional Peripherals

## ■ Durable construction

Fully IP 64 waterproof protection: prevent damage from oil and gas.



Pass the 1 m drop test.



## ■ Emergency Buttons

### (1) 3-position (OFF-ON-OFF) enabling switch

- Ergonomically-designed OFF-ON-OFF operation.
- Easy recognition of position 1 to 2 transition is made possible by a snap action switch.
- Sufficient difference in operating force is provided for shifting from position 2 to 3.

### (2) Emergency stop

- Emergency stop switch can be reset either by pulling or turning.



Pull to reset



Turn to reset

## ■ Allows hours of fatigue-free working

- Adopts strap design to reduce user fatigue.
- Greatly enhance the efficiency of the operator.
- Allows the operator to release the hands to do other jobs.

### Handheld front view



### Handheld side view



### Stably placed on the table



## ■ Friendly HMI operator interface (Optional)

### Intuitive function menu



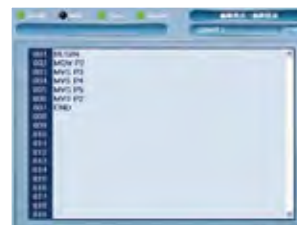
Convenient to switch between function menus

### Manual control mode



Include three motion modes and two coordinate modes for users to save information without hassles

### Programming interface



Simple programming interface allowing users to edit robot motion paths

### Automatic execution



Run the programmed commands automatically. The cyclic operation mode is also supported.

### System alarm



Record alarm logs to understand the robot operation status

### External I/O status



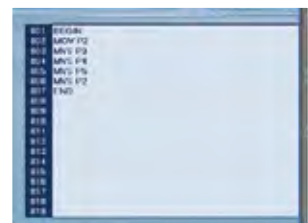
Visualize the operation status of all 64 inputs and 64 outputs

### Virtual keyboard



Virtual keyboard eases data input

### Online help



Online FAQ and help center

1

IEIMobile Solutions

2

Automation Panel Solutions

3

PACSmate Medical Solutions

4

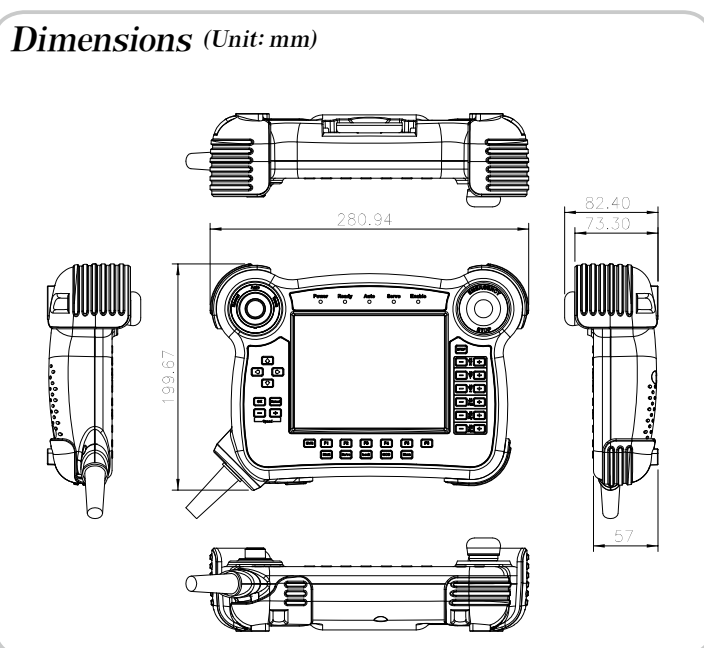
Optional Peripherals

## Specifications

Model		Robot-TP-65M
Display	LCD Size	6.5"
	Max Resolution	640 (W) x 480 (H)
	Brightness (cd/m <sup>2</sup> )	800
	Contrast Ratio	600:1
	LCD Color	262k
	Pixel Pitch (mm) (HxV)	0.207 x 0.207
	Viewing Angle (V/H)	140°/160°
	MTBF	50,000 hrs (LED backlight)
LED Indicator		5 LEDs (Power , Ready, Auto, Servo, Enable)
Touch Controller		Penmount DMC6000
IO Interface	Video Input	VGA
	Touch Interface	RS-232
	Power Source	12VDC Input
	Keypad Control Interface	PS/2
OSD Control		Software OSD
Operating	Switches & keys	Switches: Emergency stop, 3-position dead-man switch, Mode select switch with key Keys: Moving direction, OK, Cancel, Speed (-/+), Shift, Function (F1~F6), Start, Servo, Lock, MOD , Menu, Stop, Cursor
	Touch Panel	4-wire resistive type touch panel
Emergency Stop Button		For B contacts, 4 circuit outputs (forced disjunction type)
Deadman switch (Enable switch)		3-position type (OFF-ON-OFF), 2 circuit outputs
Mode Selection Switch		3-position (AUTO, MANUAL, TEACHCHECK), keylock switch. (switchable only with the key inserted)
Operating Temperature		0°C~50°C
Storage Temperature		-25°C~65°C
Humidity		<90% RH (no condensation allowed)
Vibration		Meet MIL-STD-810F
Drop Survival		1m (38 inch) 4 corners, 2 sides
Physical	Housing	ABS+PC
	Dimensions (LxWxH) (mm)	281 x 200 x 83
	Weight (N/W)	3.32kgs
	IP Rating	6-side IP 64 waterproof
	Color	Pantone 569C
Cable Length		8 meter
Power Consumption		6.6W

## Ordering Information

Part NO	Description
Robot-TP-65M/K-ML-R10	6.5" 800cd/m <sup>2</sup> VGA TFT LCD teach pendant with touch screen, key switch, 3-position dead-man switch, emergency button, 37-pin military connector, R10
Robot-TP-65M/K-R10	6.5" 800cd/m <sup>2</sup> VGA TFT LCD teach pendant with touch screen, key switch, 3-position dead-man switch, emergency button, R10
Robot-TP-84M/K-ML-R10 <span style="color: red;">Coming Soon</span>	8.4" 250cd/m <sup>2</sup> SVGA TFT LCD teach pendant with touch screen, key switch, 3-position dead-man switch, emergency button, 37-pin military connector, R10
Robot-TP-84M/K-R10 <span style="color: red;">Coming Soon</span>	8.4" 250cd/m <sup>2</sup> SVGA TFT LCD teach pendant with touch screen, key switch, 3-position dead-man switch, emergency button, R10
Robot-TP-84M-R10 <span style="color: red;">Coming Soon</span>	8.4" 250cd/m <sup>2</sup> SVGA TFT LCD teach pendant with touch screen, emergency button, R10



1

IEI Mobile Solutions

2

Automation Panel Solutions

3

PACsmate Medical Solutions

4

Optional Peripherals