

19" Industrial Panel PC

PPC-5190A-H61

Intel® Core™ i7/ i5/ i3, Pentium® and Celeron® Processor



Features

- High brightness TFT-LCD panel with LED backlight
- Multiple storage options: 2.5" SATA HDD, CF slot, and mSATA
- Dual Ethernet provides continuous network service and allows sharing among different workgroups in two different subnets
- Optional PCI / PCIe x1 expansion slot
- Optional slim type CD-ROM drive bay
- Robust aluminum front bezel and metal casing
- IP 66 compliant front panel for PPC-5190A-H61
- IEI One Key Recovery solution allows you to create rapid OS backup and recovery (Over 4GB storage capacity)



Specifications

Model		PPC-5190A-H61
Display	LCD Size	19"
	Max Resolution	1280(W) x 1024(H)
	Brightness (cd/m ²)	350
	Contrast Ratio	1000 : 1
	LCD Color	16.7M
	Pixel Pitch (mm) (HxV)	0.294(H) x 0.294(V)
	Viewing Angle (V/H)	160°/ 170°
	Backlight MTBF (hrs)	50,000
Touch	Touch Screen	Resistive Type 5-Wire with RS-232 interface
	Touch Controller	DMC 9000
Motherboard	SBC	POS-H61
	CPU	2nd/3rd Generation Intel® Core™ i7/ i5/ i3, Pentium® and Celeron® processor
	Chipset	Intel® H61
	RAM	Two 204-pin DDR3 SO-DIMM slots (Max. 16GB)
	Ethernet	Realtek RTL8111E PCIe GbE controller supporting ASF 2.0
	Audio Codec	Realtek ALC662 audio codec
I/O Ports and Switches		4 x RS-232 COM Port 1 x Audio (Line-out, MIC-in) 1 x RS-232/422/485 Port 2 x SFP Fiber LAN 2 x RJ-45 for LAN Port 1 x Power Switch 4 x USB 2.0, 2 x USB 3.0 on rear 1 x AT / ATX Switch 1 x VGA Port 1 x PCI/PCIe Slot
Drive Bay	HDD Driver Bay	1 x 2.5" SATA HDD bay with anti-shook
	SSD	CF Type II, mSATA (SATA2 Signal)
	CD-ROM Driver Bay	Slim Type CD-ROM Bay
Expansion Slot		Either 1 x PCI slot or 1 x PCIe slot 1 x PCIe Mini card
Physical	Front Panel Construction	Aluminum
	Chassis Construction	Heavy-duty Steel
	Mounting	Panel, Wall, Rack, Stand and Arm VESA 100mm x 100mm
	Front Panel Color	Silver (Pantone 8001C)
	Dimensions (WxHxD) (mm)	482 x 399 x 115
	Cut Out Dimensions (WxH) (mm)	450 x 363
	Net / Gross Weight	12.6 Kg / 18.2 Kg
Environment	Operating Temperature	-10°C ~ 50°C
	Storage Temperature	-20°C ~ 60°C
	System Cooling	Active with Fan
	Vibration	5~17Hz, 0.1 double amplitude displacement 17~640Hz 1.5G acceleration peak to peak
	Shock	10G acceleration part to part (11ms)
IP Rating		Front IP66 Compliant
Power Supply	AC Input	AC Input ATX power supply - P/N: 63000-ACEA622A166-RS - 220W power supply - Input: 90VAC~264VAC, 50/60Hz - Output(max.): 3.3V@14A, 5V@16A, 12V@10A, -12V@0.8A
	DC Input	DC Input ATX power supply - P/N: ACE-4520C-RS - 200W power supply - Input: 24 VDC(18~36 VDC) - Output(max.): 3.3V@12A, 5V@12A, 12V@15.4A, -12V@0.5A

1
IEI Mobile Solutions

2
Automation Panel Solutions

3
PACSmate Medical Solutions

4
Optional Peripherals

Ordering Information

Part No.	Description
Intel® H61 Platform	PPC-5190A-H61-P/R-R10 19" 350 cd/m ² SXGA Panel PC with POS-H61, Pentium Dual Core G6xxT (Above 2.2GHz), TDP 35W, 2GB DDR3 RAM*2, Silver color, PSU ACE-A622A, touch screen, RoHS
	PPC-5190AD-H61-P/R-R10 19" 350 cd/m ² SXGA Panel PC with POS-H61, Pentium Dual Core G6xxT (Above 2.2GHz), TDP 35W, 2GB DDR3 RAM*2, Silver color, PSU ACE-4520C, touch screen, RoHS
	PPC-5190A-H61-i3/R-R10 19" 350 cd/m ² SXGA Panel PC with POS-H61, Core i3 Dual Core 2xxxT CPU (Above 2.5GHz), TDP 35W, 2GB DDR3 RAM*2, Silver color, PSU ACE-A622A, touch screen, RoHS
	PPC-5190AD-H61-i3/R-R10 19" 350 cd/m ² SXGA Panel PC with POS-H61, Core i3 Dual Core 2xxxT CPU (Above 2.5GHz), TDP 35W, 2GB DDR3 RAM*2, Silver color, PSU ACE-4520C, touch screen, RoHS
	PPC-5190A-H61-i5/R-R10 19" 350 cd/m ² SXGA Panel PC with POS-H61, Core i5 Dual Core 2xxxTCPU (Above 2.7GHz), TDP 35W, 2GB DDR3 RAM*2, Silver color, PSU ACE-A622A, touch screen, RoHS
	PPC-5190AD-H61-i5/R-R10 19" 350 cd/m ² SXGA Panel PC with POS-H61, Core i5 Dual Core 2xxxTCPU (Above 2.7GHz), TDP 35W, 2GB DDR3 RAM*2, Silver color, PSU ACE-4520C, touch screen, RoHS
Riser Card	PCIR-01H-R10 1-Slot PCI riser card
	PCIER-101H-R10 1-Slot PCIe x 1 riser card

PCIER-101H-R10



PCIe x4 slot with PCIe x1 signal riser card

PCIR-01H-R10



One-slot PCI riser card

Packing List

Item	Part No.	Description
User's Manual CD-ROM		
SATA CD-ROM Cable	32803-000300-100-RS	SLIMLINE SATA 7+6 P TO SATA 7P /4P POWER ,L=200/150mm.
Power Cord	32000-000002-RS	EUROPEAN Standard , 1830MM, PLUG(16A 250V), CONNECTOR(10A 250V)
Panel Mount Kit	19Z00-000024-RS	
Wall Mount Kit	41020-016102-00-RS	
IEI One Key Recovery CD	IEI-7B000-000478-RS	
Touch Pen		

1

IEIMobile Solutions

2

Automation Panel Solutions

3

PACSmate Medical Solutions

4

Optional Peripherals

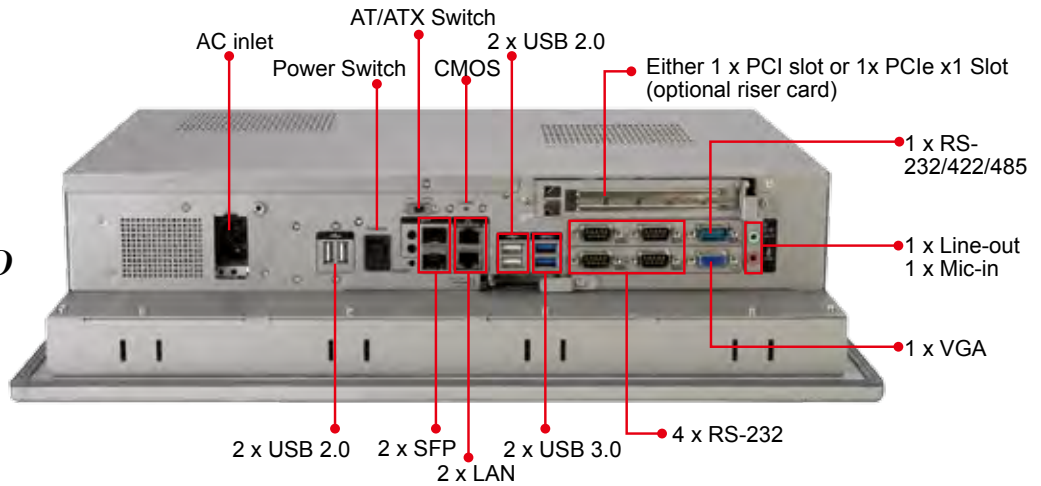
IQ Mounting Options

Item	Part No.
Rack Mount Kit	RK-190MS-R10
ARM	ARM-31-RS
STAND	STAND-210-R11

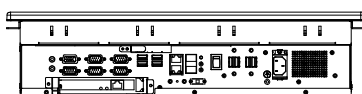
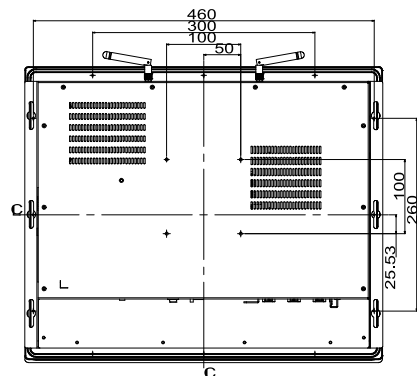
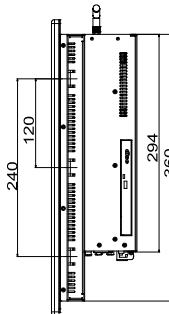
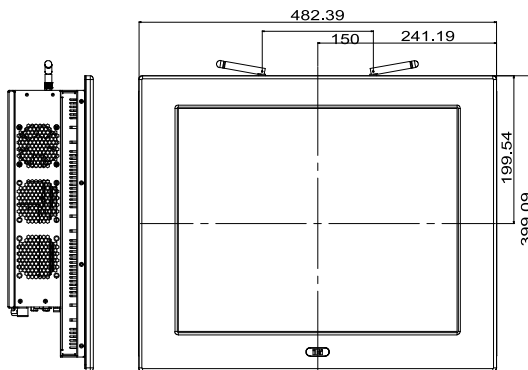
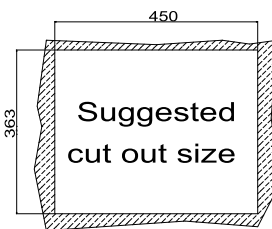
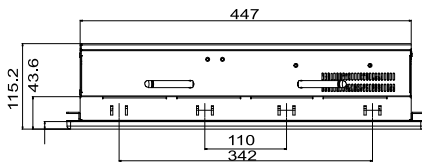
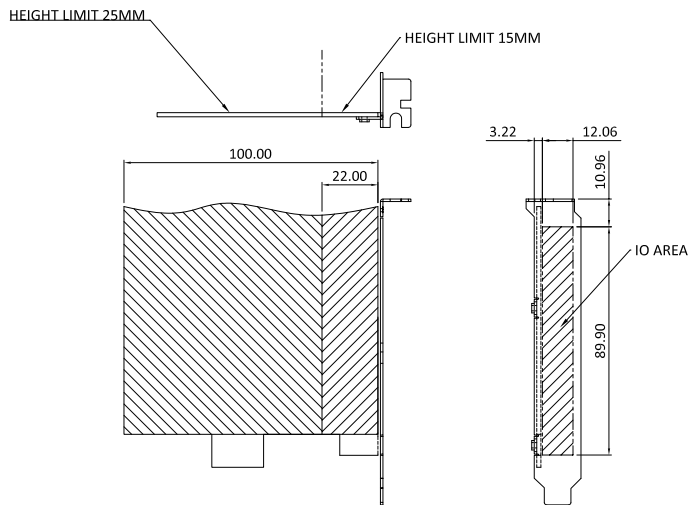
Options

Part Number	Description
PPC-WL-KIT03-R10	Wi-Fi module with RF cable and antenna, 2T2R, 802.11 b/g/n for PPC-5190A-H61(Telec certified)
73400-AD7760H01-RS	Slim type SATA DVD-ROM

PPC-5190A-H61
Fully Integrated I/O



PPC-5190A-H61
Dimensions (Unit: mm)



1

IEI Mobile Solutions

2

Automation Panel Solutions

3

PACsmate Medical Solutions

4

Optional Peripherals