

7" Wide Screen WVGA AFOLUX PPC

AFL-07A-LX

AMD Geode™ LX 800 500 MHz Processor

AFL-07A-N270

Intel® Atom™ N270 1.6GHz Processor

AFL-W07A-N26

Intel® Atom™ N2600 1.6GHz Processor

**9V ~ 28V Wide DC Power Input**

The compact fanless AFL-W07A-N26 model with widescreen high-brightness panel is ideal for setup in a place where space and light is limited. This makes it an ideal choice for mobile and transportation PC applications.



**Features**

- 7" widescreen WVGA LED backlight TFT LCD with resistive touch screen
- 9V~28V wide range DC power input (for Intel® N2600 platform)
- Compact design with plastic housing
- Fanless cooling system
- Selectable AT/ATX power mode
- System memory up to 2 GB SDRAM
- Built-in 802.11b/g/n Wireless LAN
- Built-in speakers
- One compactFlash® slot
- IP 64 compliant front panel
- IEI One Key Recovery solution allows you to create rapid OS backup and recovery (suggest with over 4GB storage capacity)



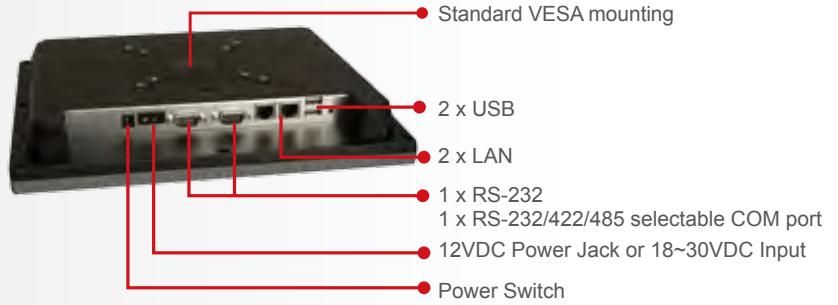
**Specifications**

Model	AFL-07A-LX	AFL-07A-N270	AFL-W07A-N26
LCD Size		7"	
Max Resolution		800 x 480	
Brightness (cd/m²)		500	
Contrast Ratio		400:1	
LCD Color		262K	
Pixel Pitch (mm)		0.0635 (H) x 0.1905 (V)	
Viewing Angle (H-V)		140° / 110°	
Backlight MTBF		50000 hrs (LED Backlight)	
SBC Model	AFLMB-LX-800	AFLMB-945GSE-N270-R10	AFLMB-CV-N2600-R10
CPU	AMD Geode™ LX 800 (500Mhz)	Intel® Atom™ processor N270 1.6GHz CPU	Intel® Atom™ N2600 dual core 1.6 GHz CPU
Chipset	AMD LX800 + AMD CS5536	Intel® 945GSE + ICH7M	Intel® NM10
RAM	Supports one 333MHz or 400MHz DDR SO-DIMM (1GB Max.)	Supports one 400MHz or 533MHz DDR2 SO-DIMM (2GB Max.)	One 800 MHz 204-pin DDR3 SO-DIMM slot (max. 2G) pre-installed with 2GB
I/O Ports	1 x RS-232 COM Port 1 x RS-232/422/485 COM Port 2 x RJ-45 for 10/100Mbps LAN 2 x USB 2.0 1 x Power Switch 1 x Reset Button 1 x Power Jack 1 x Audio Jack (Line-out)	1 x RS-232 COM Port 1 x RS-232/422/485 COM Port 2 x RJ-45 for GbE 2 x USB 2.0 1 x Power Switch 1 x Reset Button 1 x Power Jack 1 x External SATA 1 x Audio Jack (Line-out)	1 x 9-28V Lockable DC Jack 1 x RJ45 for RS-232 1 x RS-232/422/485 1 x VGA 2 x GbE LAN 2 x USB 2.0 1 x Power switch 1 x Reset button 1 x AT/ATX switch 1 x Line out
Storage		CF Type II	mSATA
Watchdog Timer		Software programmable supports 1~255 sec. system reset	
Audio		AMP 1.5W + 1.5W (internal speaker)	AMP 2W + 2W (internal speaker)
Wireless Connection	1 x Wireless LAN 802.11 b/g Module (internal Mini PCI interface)	1 x Wireless LAN 802.11b/g/n Module (internal PCIe Mini card interface) Telec certified	1 x Wireless LAN 802.11b/g/n 2T2R Module (internal PCIe Mini card interface) Telec certified
Construction Front Panel		ABS + PC Plastic front frame	
LED Function		1 x LED on front panel for power on/off	
Mounting		Panel, Wall, Rack, Stand or Arm mounting VESA 75mm x 75mm	
Front Panel Color		Gray 7539U	
Dimensions (WxHxD) (mm)		226 x 140 x 41	
Operation Temperature (°C)	0~50°C	-10°C ~50°C	-10°C~50°C
Storage Temperature (°C)		-20°C ~ 60°C	
N/G Weight		0.6 Kg	
IP Level		Front Frame IP64	
Safety & EMC		CE / FCC	
Touch Screen		4-wire Resistive Type (touch controller IC is on board)	
Power Adapter		P/N: 63000-FSP036RAB608-RS 36W Power Adapter (Meet PSE) Input: 90VAC~264VAC, 50/60Hz Output: 12VDC	P/N: 63000-FSP036RAB610-RS 36W Power Adapter (Meet PSE) Input: 90VAC~264VAC, 50/60Hz Output: 12VDC
Power Requirement	12VDC	12VDC	9-28V DC
Power Consumption	20W	23W	23W

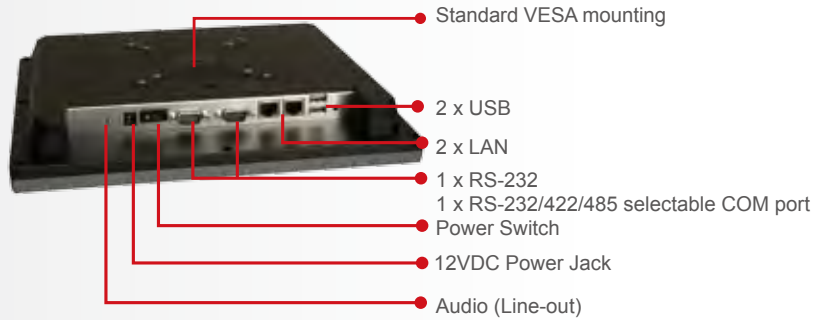
- 1 IEI Mobile Solutions
- 2 Automation Panel Solutions
- 3 PACSmate Medical Solutions
- 4 Optional Peripherals

Fully Integrated I/O

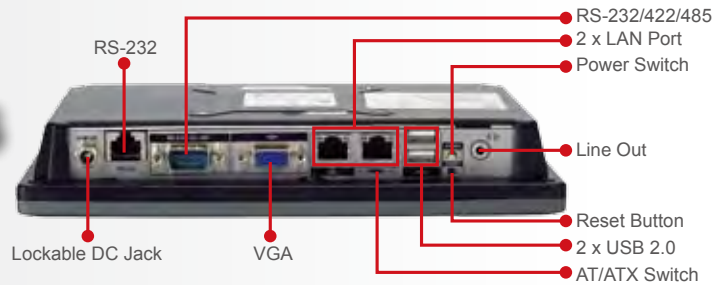
AFL-07A-LX



AFL-07A-N270



AFL-W07A-N26



1

IEIMobile Solutions

2

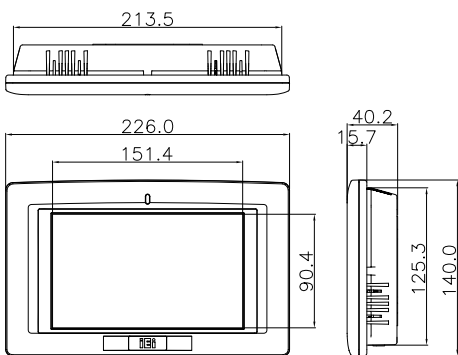
Automation Panel Solutions

3

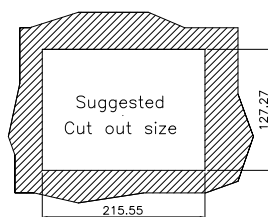
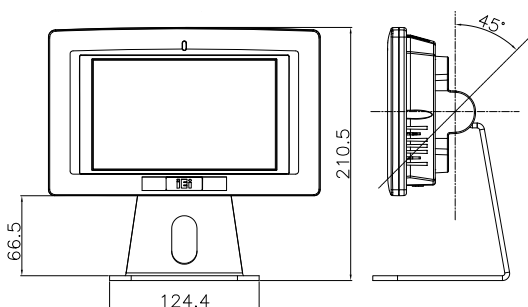
PACSmate Medical Solutions

4

Optional Peripherals



**AFL-07A/AFL-W07A**  
Dimensions (Unit: mm)



(Optional Stand Kit)

## Ordering Information

Part Number	Description
AFL-07A-LX/R/512-R22	7" 500 cd/m <sup>2</sup> , WVGA fanless panel PC with AMD LX-800 CPU, AT/ATX mode, 802.11b/g Wireless Module, Touch screen and 512MB DDR RAM, R22
AFL-07A-N270/R/1G-R23	7" 500 cd/m <sup>2</sup> WVGA fanless panel PC with Intel® Atom™ N270 1.6GHz, 802.11b/g/n wireless module, touch screen ,1GB DDR2 533, R23
AFL-W07A-N26/R/2G-R10	7" 500cd/m <sup>2</sup> , WVGA fanless panel PC with Intel® Atom™ cedarview N2600 dual core 1.6GHz, 802.11b/g/n wireless module, touch screen, 2GB DDR3, R10

## Options

Model	AFL-07A-LX	AFL-07A-N270	AFL-W07A-N26
Panel Mounting Kit		AFLPK-12	
Wall Mounting Kit		AFLWK-12	
Rack Mounting Kit		AFLRK-07	
Arm		ARM-11-RS / ARM-31-RS	
Stand		STAND-100-RS	
VSTAND		VSTAND-A07-R11	
9~30VDC to 12VDC Converter Module		IDD-930160-KIT	
OS: Win CE 5.0 (128 MB CF card)	AFLCF-07-LX-CE-R21	--	--
OS: Win CE 6.0 (128 MB CF card)	AFLCF-07-LX-CE060-R21	AFLCF-07-N270-CE060-R23	--
OS: Win XPE (1 GB CF card)	AFLCF-07-LX-XPE-R21	AFLCF-07-N270-XPE-R23	AFL-W07-N26-XPE-R10*
OS: Win 7 Embedded (4 GB CF card or CD-ROM)	--		AFL-W07-N26-WES7E-R10*
Magnetic Stripe Reader		AFLP-08AMSR-U	
DC 12V Input UPS		AUPS-A10-R10 (7.4V 3800mAH)	
DC 9~36V Input UPS		AUPS-A20-R10 (7.4V 3800mAH)	
Bluetooth V2.0+EDR		AFL-BT-KIT02-R10	

\*OS image with CD-ROM

## ISMM Support Functions

	Voltage	Fan	Smart Fan	Temperature	WDT	Cash Drawer
AFL-07A-LX	V			V	V	
AFL-07A-N270	V			V	V	
AFL-W07A-N26	V			V	V	

## Packing List

Item	Part Number	Q'ty	Specification
Screw Pack	44013-030041-RS	4	M3;5mm
Power Adpater	63000-FSP036RAB608-RS 63000-FSP036RAB610-RS (for AFL-07A-N26)	1	90~264V AC; 12V DC; 36W (Meet PSE)
Power Cord	32000-000002-RS	1	1750mm; European Standard (EU or US, depending on the shipment country)
Utility CD	7B000-000087-RS	1	
Touch Pen	43125-0002C0-00-RS	1	
One Key Recovery CD		1	
RJ45 to RS-232 Transfer Cable	32005-000200-200-RS	1	300MM; RJ45 to D-SUB 9P transfer cable

1

IEI Mobile Solutions

2

Automation Panel Solutions

3

PACsmate Medical Solutions

4

Optional Peripherals