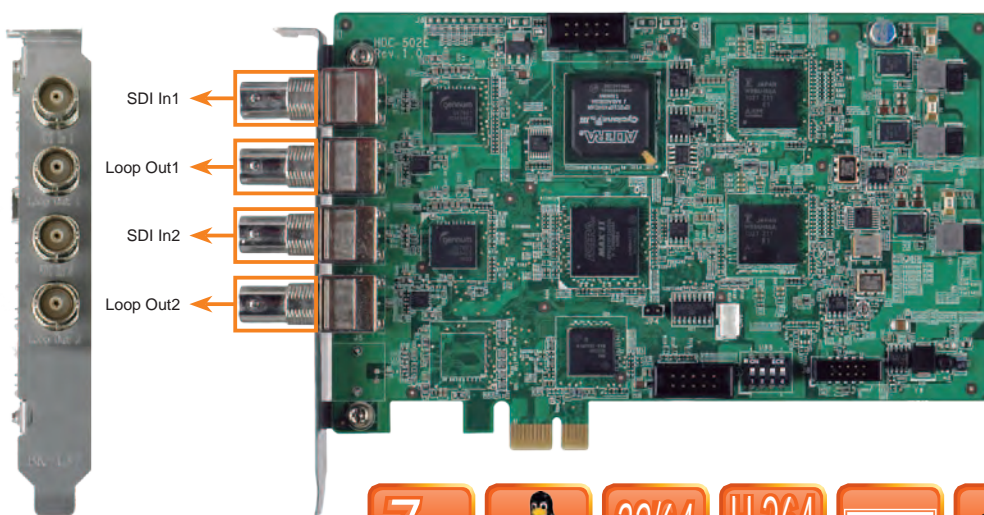


HDC-502E

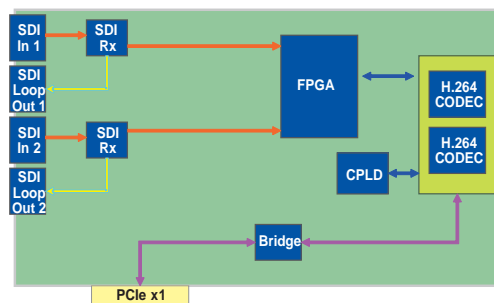
PCIe video/audio capture card with 2 channel SDI loop inputs, 2 channel SDI loop outputs and H.264 hardware codec up to 1920x1080@60p



Features

- Compatible with Windows® XP, Windows® 7 and Linux
- High quality and long distance video compression solution
- Encoding or decoding up to 1080p HD video
- Reduces the amount of hard disk space needed by real-time H.264 recording compression capability
- Applications: professional studio, broadcast and transportation video applications
- SDK available for customer to create customized applications

System Block



1

Industrial Computing Solutions

2

Video Capture Solutions

3

Embedded Computing Solutions

4

Automation Control

5

ORing Network Communication

6

Power Supply/Peripherals

7

Panel Solutions Introduction

Specifications

◆ Interface

Video Input	2 channels
Video Input Type	SDI
Audio Input	2 channels
Audio Input Type	SDI
Loop Through Output	2 channels
Loop Through Type	SDI
Bus Interface	PCIe x1

◆ Video Processing

Video Compression	H.264/AVC High Profile Level 4.2	
Input Resolution & Frame Rate	1920 x 1080 x 60p / 50p / 30p / 25p / 24p	720 x 480 x 60i
	1920 x 1080 x 60i / 50i	720 x 576 x 50i
	1280 x 720 x 60p / 50p / 30p / 25p / 24p	
Record Resolution / Frame Rate / Bit Rate	1920 x 1080 x 60p, encoding video bit rate from 6Mbps to 20Mbps	
	1280 x 720 x 60p, encoding video bit rate from 4Mbps to 20Mbps	

◆ Audio Processing

Audio Compression	MPEG-1 Audio Layer 2
Bit Rate	256k

◆ Functionality

Multiple Card Support	Yes
-----------------------	-----

◆ Software Support

Device Driver	Compatible with Windows® XP, Windows® 7 and Linux Fedora 16
SDK	Windows®: Provides SDK and demo program with sample source code in C# Linux: Provides SDK and driver/demo program with sample source code in C

◆ System Requirement

System	x86 PC compatible computer, Intel® Pentium® 4 2.0GHz or above for video record Recommends using a DXVA or CUDA capable graphics card for real-time video playback
Memory	1GB or more
OS Environment	Windows: Microsoft® Windows® 7/XP Service Pack 2 (SP2) (32-bit version) Microsoft® DirectX 9.0c Microsoft® .NET Framework 3.0/3.5/4.0 Visual C++ 2005 & 2008 Redistributable Linux: Fedora 16 (Kernel: 3.1)

◆ Others

Dimensions (WxH) (mm)	188 mm x 125 mm
Operating Temperature	0°C ~ 60°C (32°F ~ 140°F), non-condensing
Power Consumption	14.2W (12V@0.76A, 3.3V@1.52A)

Packing List

- 1 x HDC-502E capture card
- 1 x Utility CD
- 1 x QIG

Ordering Information

Part No.	Description
HDC-502E-R10	PCI Express video/audio capture card with 2 SDI input channels, 2 loop-out channels, 1920x1080@60p, and H.264 Hardware Codec