

ECN-780-Q67

Embedded System with 2nd Gen Intel® Core™ i7/i5/i3 Desktop Processors

Features

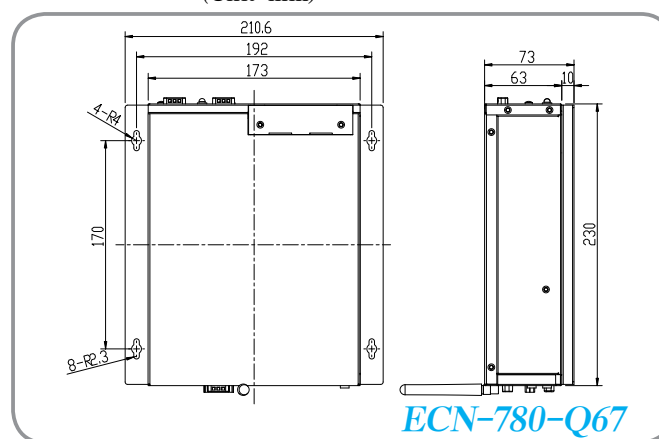
- ◆ 2nd Generation Intel® Core™ i7/i5/i3, Pentium® and Celeron® desktop processors
- ◆ Intel® HD graphics supports H.264/AVC-MPEG2/VC1, DirectX 10.1 and OpenGL 3.0
- ◆ On-board 2 GB DDR3 memory and one DDR3 SO-DIMM slot (system max. 10 GB)
- ◆ Dual Gigabit Ethernet with Intel® AMT 7.0 support
- ◆ Dual display output supported by VGA/DVI/HDMI
- ◆ Optional 1T1R 2.4 GHz 802.11b/g/n Wi-Fi
- ◆ Easy to install SATA hard drive
- ◆ USB 3.0 ports provide super speed data transfer



Specifications

Model Name	ECN-780-Q67	
Chassis	Color	Black
	Dimensions (WxDxH) (mm)	230 x 173 x 60
	System Fan	1 mm x 80 mm
	Chassis Construction	Aluminum alloys
Motherboard	Processor CPU	Intel® Core™ i5-2xxT (above 2.7 GHz) Intel® Core™ i3-2xxT (above 2.5 GHz) Intel® Pentium® G6xxT (above 2.2 GHz)
	Chipset	Intel® Q67
	System Memory	On-board DDR3 2 GB memory 1 x 204-pin DDR3 SDRAM SO-DIMM (system max: 10 GB)
	Storage	Hard Drive: 1 x 2.5" SATA HDD bay mSATA: Optional
I/O Interfaces	USB 3.0	2
	USB 2.0	2
	Ethernet	2 x RJ-45 1 x PCIe GbE by Intel® 82579 1 x PCIe GbE by Intel® 82583V
	RS-232	2 x DB-9
Expansions	RS-422/485	1 x DB-9
	Display	1 x HDMI, 1 x DVI-D, 1 x VGA
	Resolution	VGA: Up to 2048 x 1536@75Hz HDMI: Up to 1920 x 200@60Hz DVI-D: Up to 1920 x 1080@60Hz
	Audio	1 x Line-out, 1 x Mic-in
Power	Wireless	1 x 802.11b/g/n (optional)
	Power Input	100 V~240 V AC
	Power Consumption	19 V@3.5 A (Intel® Core™ i7-2600S with 1333MHz 4 GB DDR3 memory)
	Mounting	Wall mount
Reliability	Operating	-20°C ~50°C with air flow (SSD), 5% ~ 95%, non-condensing
	Operating Shock	Half-sine wave shock 3G, 11ms, 3 shocks per axis
	Operating Vibration	MIL-STD-810F 514.5C-1 with SATA HDD MIL-STD-810F 514.5C-2 with CompactFlash®/SSD
	Weight (Net/Gross)	3.1 kg/4.3 kg
OS	Safety & EMC	CE/FCC
	Supported OS	Microsoft® Windows® Embedded Standard 7 E, Microsoft® Windows® XP Embedded, Linux

Dimensions (Unit: mm)

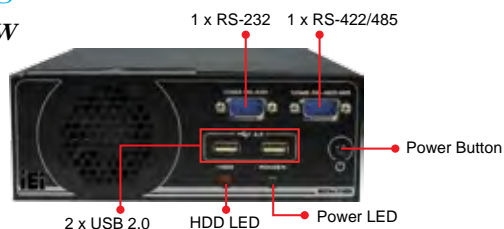


Ordering information

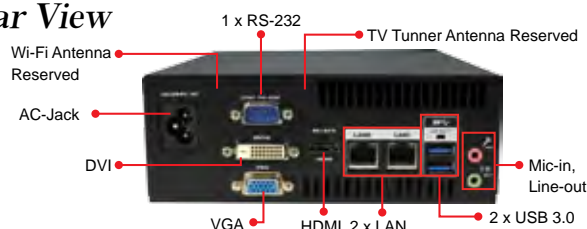
Part No.	Description
ECN-780-Q67-i5-R10	Embedded system, Core™ i5 Dual Core 2xxT CPU (Above 2.7 GHz), TDP 35W, 2 GB DDR3 on-board memory, dual display multimedia BOX, Dual GbE LAN, supports Intel® AMT 7.0, 100 V~240 V AC Input, built-in 90W adapter, black, R10
ECN-780W-Q67-i5-R10	Embedded system, Core™ i5 Dual Core 2xxT CPU (Above 2.7 GHz), TDP 35W, 2 GB DDR3 on-board memory, dual display multimedia BOX, Dual GbE LAN, built-in TELEC Certified 802.11b/g/n wireless, supports Intel® AMT 7.0, 100 V~240 V AC Input, built-in 90W adapter, black, R10
ECN-780-Q67-i3-R10	Embedded system, Core™ i3 Dual Core 2xxT CPU (Above 2.5 GHz), TDP 35W, 2 GB DDR3 on-board memory, dual display multimedia BOX, Dual GbE LAN, 100 V~240 V AC Input, built-in 90W adapter, black, R10
ECN-780W-Q67-i3-R10	Embedded system, Core™ i3 Dual Core 2xxT CPU (Above 2.5 GHz), TDP 35W, 2 GB DDR3 on-board memory, dual display multimedia BOX, Dual GbE LAN, built-in TELEC Certified 802.11b/g/n wireless, 100 V~240 V AC Input, built-in 90W adapter, black, R10
ECN-780-Q67-P-R10	Embedded system, Pentium® Dual Core G6xxT CPU (Above 2.2 GHz), TDP 35W, 2 GB DDR3 on-board memory, dual display multimedia BOX, Dual GbE LAN, 100 V~240 V AC Input, built-in 90W adapter, black, R10
ECN-780W-Q67-P-R10	Embedded system, Pentium® Dual Core G6xxT CPU (Above 2.2 GHz), TDP 35W, 2 GB DDR3 on-board memory, dual display multimedia BOX, Dual GbE LAN, built-in TELEC Certified 802.11b/g/n wireless, 100 V~240 V AC Input, built-in 90W adapter, black, R10

Fully Integrated I/O

Front View



Rear View



1

Industrial Computing Solutions

2

Video Capture Solutions

3

Embedded Computing Solutions

4

ORing Network Communication

5

Power Supply/Peripherals

6

Panel Solutions Introduction