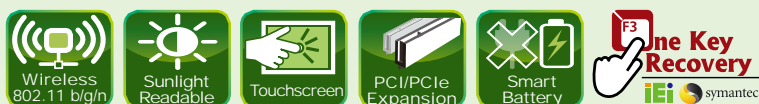


UPC-12A 12.1" Aluminum UPS Panel PC with Smart Battery Backup

Rugged Aluminum Die-casting Body!

- 12.1" all-in-one PPC with touch technology
- 1000 nits sunlight readable panel available
- Powerful all-in-one panel PC
 - Intel® GM45 chipset and 45nm mobile Core™2 Duo processor support
- Battery backup power protects your productivity from the constant threat of power outages and data loss
- Ambient light sensor detects ambient light for automated screen adjustments to optimize viewing. (0%~100% brightness control for sunlight readable version)
- 802.11 b/g/n Wi-Fi support
- PCI expansion slot for adding more capacity (optional PCI express expansion interface)
- Standard VESA 75/100 mounting
- Robust die-cast aluminum chassis
- IP 65 compliant aluminum compliant front panel



Specifications

Model	12.1" Regular Brightness		12.1" Sunlight Readable	
	UPC-12A/GM45		UPC-12AH/GM45	
Display	LCD Size	12.1"	12.1"	
	Max Resolution	1024 x 768	1024 x 768	
	Brightness (cd/m ²)	450	1000	
	Contrast Ratio	700:1	500:1	
	LCD Color	262k	262k	
	Pixel Pitch (mm)	0.240(H) x 0.240(V)	0.240(H) x 0.240(V)	
	Viewing Angle (H-V)	150° / 150°	160° / 140°	
	Backlight MTBF	50000hrs	60000hrs	
Touch	Touch Screen	Resistive Type 5-Wire with RS-232 interface		
	Touch Controller	DMC 9000		
Motherboard	CPU	Intel® Core™2 Duo P8400 2.26GHz Intel® Celeron® M 575 2.0GHz Intel® Core™2 Duo T9400 2.53GHz	Intel® Core™2 Duo P8400 2.26GHz Intel® Celeron® M 575 2.0GHz Intel® Core™2 Duo T9400 2.53GHz	
	Chipset	Intel® GM45 Chipset + ICH9M		
	RAM	Two DDR2 SO-DIMM up to 4GB		
	Ethernet	Realtek RTL8111CP PCIe GbE controller		
	Audio Codec	Realtek ALC888 audio codec		
I/O	3 x RS-232 COM 1 x RS-232/422/485 COM 2 x RJ-45 Gigabit LAN 6 x USB 2.0 (2 waterproof USB on the front panel) 1 x VGA 1 x Power Switch 2 x Audio Jack (Line-out, Mic-in) 1 x Reset Button		1 x Clear CMOS Button 1 x 9-28VDC Power Jack 1 x Power Mode Switch (Battery or DC input) 1 x 9-28VDC Power Input Terminal Block 1 x Networking UPS Management Port by RJ-45 Ethernet 1 x Remote COM port by RJ-45 connector 1 x AT Mode UPS Switch (2 pin terminal block)	
	Expansion	1 x PCI, 1 x PCIe x1 (Optional), 1 x PCIe Mini (Wireless LAN Module)		
LED Indicator	Power LED / HDD Status / Charging / Discharging / Light Sensor			
Membrane Keypad	LCD On/Off; Brightness Up/Down; Volume Up/Down; Auto Dimming On/Off; Battery Low Beeper (under 10% batter capacity beeper on/off)			
Drive Bay	SSD	CF Type II		
	HDD	1 x 2.5" SATA HDD bay		
Battery	Capacity	14.8V, 3800 mAH		
	UPS run-time	40 mins	40 mins	40 mins
		50 mins		30 mins
Physical	Construction Material	Aluminum Die-casting		
	Mounting	VESA 100 mm x100 mm		
	Front Panel Color	Orange (Pantone 151C)		
	Dimensions (WxHxD) (mm)	335 x 280 x 119		
	Operating Temperature (°C)	-10°C~55°C		
Environment	Storage Temperature (°C)	-20°C~70°C		
	Net/Gross Weight	5.8 Kg / 6.9 Kg		
	IP Level	IP 65 Compliant front panel		
	Safety & EMC	CE, FCC		
Touch Screen	Resistive Type 5-Wire (Touch controller IC is on board)			
Power Requirement	9~28VDC			
Power Consumption		63W		73W
		60W		70W
		65W		74W

1

IEIMobile Solutions

2

Automation Panel Solutions

3

PACSmate Medical Solutions

4

Optional Peripherals

Ordering Information

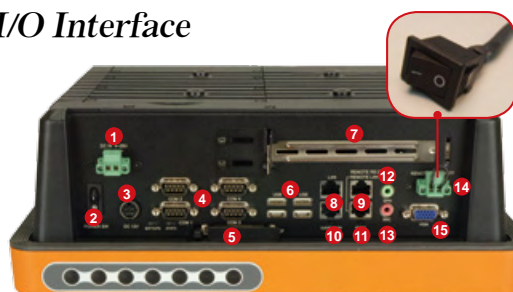
Part No.	Description
450 nits	UPC-12A/GM45-CM5R/1G-R21 12.1" 450cd/m ² XGA panel PC with Intel® Celeron® M 575 2GHz CPU , 100W UPS with 14.8V, 3800mAh, 1GB DDR2 RAM and touch screen, 802.11 b/g/n wireless
	UPC-12A/GM45-P84R/2G-R21 12.1" 450cd/m ² XGA panel PC with Intel® Core™2 Duo P8400 2.26GHz CPU, 100W UPS with 14.8V, 3800mAh, 2GB DDR2 RAM and touch screen, 802.11 b/g/n wireless
	UPC-12A/GM45-T94R/2G-R21 12.1" 450cd/m ² XGA panel PC with Intel® Core™2 Duo T9400 2.53GHz CPU, 100W UPS with 14.8V, 3800mAh, 2GB DDR2 RAM and touch screen, 802.11 b/g/n wireless
1000 nits	UPC-12AH/GM45-CM5R/1G-R20 12.1" 1000 cd/m ² XGA panel PC with Intel® Celeron® M 575 2GHz CPU , 100W UPS with 14.8V, 3800mAh, 1GB DDR2 RAM and touch screen, 802.11 b/g/n wireless
	UPC-12AH/GM45-P84R/2G-R20 12.1" 1000 cd/m ² XGA panel PC with Intel® Core™2 Duo P8400 2.26GHz CPU, 100W UPS with 14.8V, 3800mAh, 2GB DDR2 RAM and touch screen, 802.11 b/g/n wireless
	UPC-12AH/GM45-T94R/2G-R20 12.1" 1000 cd/m ² XGA panel PC with Intel® Core™2 Duo T7500 2.2GHz CPU, 100W UPS with 14.8V, 3800mAh, 2GB DDR2 RAM and touch screen, 802.11 b/g/n wireless

Packing List

Item	Part No.	Q'ty	Specifications
Screws Pack	44003-050501-RS	4	M5; 5mm
RJ-45 to DB-9 COM port cable	32000-089201-RS	1	
Power Adpater	63040-010096-010-RS	1	90~264V AC; 12V DC; 96W
Power Cord	32000-000002-RS	1	1750mm; European Standard
Utilities CD	7B000-000087-RS	1	
Touch Pen	XTR104-0002-RS	1	
Wi-Fi 802.11 b/g/n PCIe Mini card	7F900-Q802XKN-RS		
Smart battery pack	BAT-LI-4S2P3800A		Lithium ion Battery 4S2P, 3800mAh, FOR UPC Series
One Key Recovery CD		1	

Note: Connect DC input continuously. Battery will be drained after 14 hours.

I/O Interface

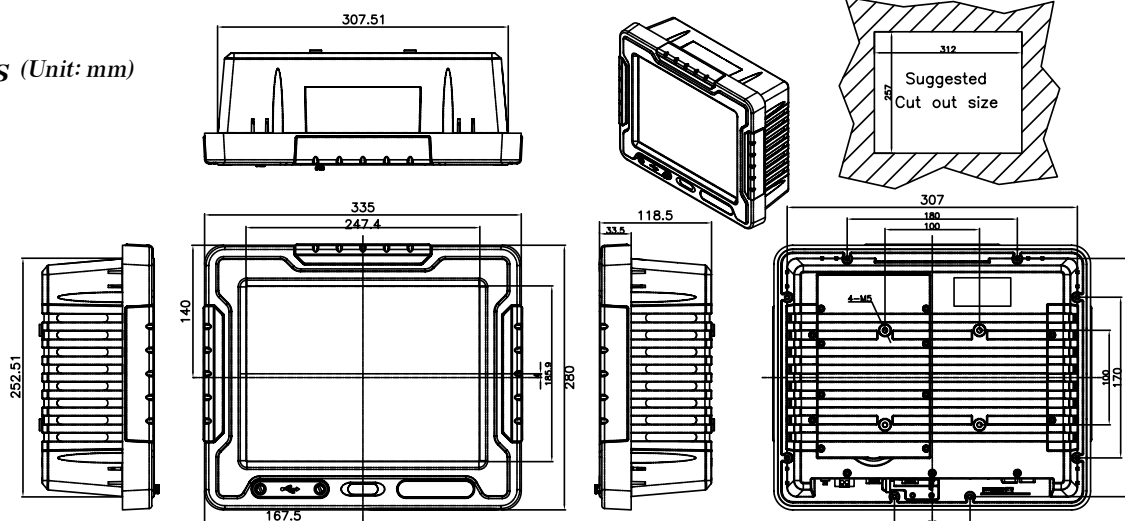


- 1 9~28VDC Input
- 8 2 x RJ-45 Gigabit LAN
- 2 Power Switch
- 9 Remote RS-232, Remote LAN
- 3 DC 12V Power Jack
- 10 Clear CMOS
- 4 3 x RS-232 COM, 1 x RS-232/422/485 COM
- 11 Reset
- 5 User-accessible CF
- 12 Line-out
- 6 4 x USB 2.0
- 13 Mic-in
- 7 1 x PCI Expansion Slot (Optional PCIe x1 expansion)
- 14 AT Mode UPS Switch
- 15 VGA Output

Options

Model	UPC-12A-910	UPC-12A-GM45	UPC-12AH-GM45
Panel mounting kit		UPCPK-12	
Wall mounting kit		AFLWK-19B	
Rack mounting kit		UPCRK-12	
ARM		ARM-11-RS / ARM-31-RS	
Stand		STAND-A19-RS / STAND-A21-R10 / STAND-210-R11	
OS: Win CE 6.0	UPCCF-12-910-CE060-R20	N/A	N/A
OS: Win XPE	UPCCF-12-910-XPE-R20	UPCCF-12-GM45-XPE-R20	UPCCF-12-GM45-XPE-R20
Battery Pack		BAT-LI-4S2P3800A (14.8V, 3800mAh)	
PCIe x 1 Riser Card		034D335-00-100-RS	

UPC-12A Dimensions (Unit: mm)



1

IEI Mobile Solutions

2

Automation Panel Solutions

3

PACSmate Medical Solutions

4

Optional Peripherals