

19" SXGA AFOLUX Panel PC

# AFL-19i(E)-HM55

Intel® Core™ i7/i5/i3/Celeron® Processor



## New HM55 Platform Features:

- Powered by high performance 2.66 GHz Intel® Core™ i7-620M CPU with Intel® HM55 chipset
- 1066MHz DDR3 system memory up to 4GB
- HDMI port delivers high image quality on the second display
- IEI One Key Recovery solution allows you to create rapid OS backup and recovery (over 4GB storage capacity is suggested)



## Specifications

| Model                           | AFL-19i-HM55   |
|---------------------------------|--|
| LCD Size                        | 19"  |
| Max Resolution                  | 1280 x 1024  |
| Brightness (cd/m <sup>2</sup> ) | 350  |
| Contrast Ratio                  | 1000 : 1   |
| LCD Color                       | 16.7M  |
| Pixel Pitch (mm)                | 0.294 (H) x 0.294 (V)  |
| Viewing Angle (H-V)             | 170° / 160°  |
| Backlight MTBF                  | 50000 hrs (LED backlighting)   |
| SBC Model                       | AFLMB2-HM55-R10  |
| CPU                             | Intel® Core™ i7/i5/i3/Celeron® Processor   |
| Chipset                         | Intel® HM55  |
| RAM                             | Two 204-pin 800/1066MHz DDR3 dual-channel SO-DIMMs supported (Max. 8GB)  |
| I/O Ports                       | 1 x RS-232 COM Port<br>1 x RS-232/422/485 COM Port<br>2 x RJ-45 for Giga LAN<br>4 x USB 2.0<br>1 x Power Switch<br>1 x Reset Button<br>1 x Audio Port (Line-out)<br>1 x VGA<br>1 x Power Jack<br>1 x HDMI Port |
| Storage                         | SATA SSD   |
| Watchdog Timer                  | Software programmable supports 1~255 sec. system reset   |
| Audio                           | AMP 3W + 3W (internal speakers)  |
| Wireless Connection             | 1 x Wireless LAN 802.11b/g/n Module (internal PCIe Mini card interface)  |
| Drive Bay                       | 1 x 2.5" SATA HDD bay  |
| Construction Front Panel        | ABS + PC Plastic front frame   |
| Membrane Keypad                 | OSD Keypad below the Front Panel (5 keys)  |
| LED Function                    | 1 x Power on/off LED on front panel  |
| Mounting                        | Panel, Wall, Stand and Arm VESA 100mm x 100mm  |
| Front Panel Color               | Sliver (877U) & Gray (ABSA2037)  |
| Dimensions (WxHxD) (mm)         | 470 x 383 x 72   |
| Operation Temperature (°C)      | 0°C~50°C   |
| Storage Temperature (°C)        | -20°C ~-60°C   |
| N/G Weight                      | 6.2Kg  |
| IP Level                        | Front Frame IP64   |
| Touch Screen                    | Resistive Type 5-Wire (Touch controller IC is on board)  |
| Power Adapter                   | P/N: 63000-FSP096AHB-RS<br>96W Power Adapter<br>Input: 90VAC~264VAC, 50 / 60 Hz<br>Output: 12VDC   |
| Power Requirement               | 12VDC  |
| Power Consumption               | 88W (Intel® T7500, 2GB memory, 80G HDD)  |

1

IEI Mobile Solutions

2

Automation Panel Solutions

3

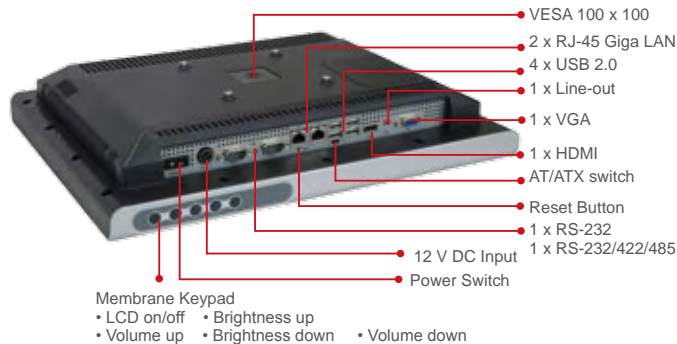
PACsmate Medical Solutions

4

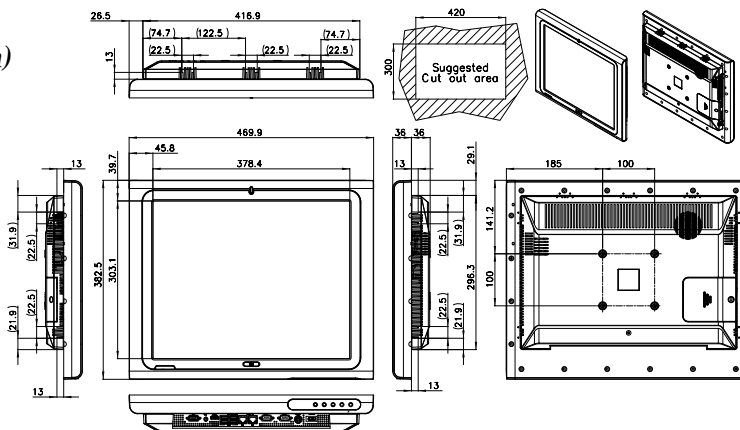
Optional Peripherals

## Fully Integrated I/O

● **AFL-19i-HM55**



### AFL-19i Dimensions (Unit: mm)



## Ordering Information

| Part Number                      | Description  |
|----------------------------------|--|
| <b>AFL-19i-HM55-P45/R1G-R20</b>  | 19" 350cd/m <sup>2</sup> SXGA LED backlighting panel PC with Intel® Celeron® P4500 1.86G CPU, 1GB DDR3 RAM, 802.11b/g/n wireless module, touch screen, R20 |
| <b>AFL-19i-HM55i3-35/R2G-R20</b> | 19" 350cd/m <sup>2</sup> SXGA LED backlighting panel PC with Intel® Core™ i3-350M 2.26G CPU, 2GB DDR3 RAM, 802.11b/g/n wireless module, touch screen, R20  |
| <b>AFL-19i-HM55i5-52/R2G-R20</b> | 19" 350cd/m <sup>2</sup> SXGA LED backlighting panel PC with Intel® Core™ i5-520M 2.4G CPU, 2GB DDR3 RAM, 802.11b/g/n wireless module, touch screen, R20   |
| <b>AFL-19i-HM55i7-62/R2G-R20</b> | 19" 350cd/m <sup>2</sup> SXGA LED backlighting panel PC with Intel® Core™ i7-620M 2.66G CPU, 2GB DDR3 RAM, 802.11b/g/n wireless module, touch screen, R20  |

## Packing List

| Item                | Part Number        | Q'ty | Specification                      |
|---------------------|--------------------|------|------------------------------------|
| Screw Pack          | 44013-030041-RS    | 4    | M3;5mm                             |
| Power Adpater       | 63000-FSP096AHB-RS | 1    | 90~264V AC; 12V DC; 96W (19i-HM55) |
| Power Cord          | 32000-000002-RS    | 1    | 1750mm; European Standard          |
| Utility CD          | 7B000-000087-RS    | 1    |                                    |
| Touch Pen           | 43125-0002C0-00-RS | 1    |                                    |
| One Key Recovery CD |                    | 1    |                                    |

## ISMM Supported Functions

|                     | Voltage | Fan | Smart Fan | Temperature | WDT | Cash Drawer |
|---------------------|---------|-----|-----------|-------------|-----|-------------|
| <b>AFL-19i-HM55</b> | V       | V   | V         | V           | V   |             |

## Options

|                                   |  |
|-----------------------------------|--|
| <b>Model</b>                      | <b>AFL-19i-HM55</b>  |
| <b>Panel Mounting Kit</b>         | AFLPK-19B  |
| <b>Wall Mounting Kit</b>          | AFLWK-19B  |
| <b>Arm</b>                        | ARM-11-RS / ARM-31-RS  |
| <b>Stand</b>                      | STAND-A19-RS / STAND-A21-R10 / STAND-210-R11                                     |
| <b>OS: Win XPE (1 GB CF card)</b> | AFLSD-15-HM55-2G-XPE-R20(2GB SATA SSD)   |
| <b>OS: Win 7 Embedded</b>         | AFLSD-15-HM55-4G-WES7E-R20 (4GB SATA SSD)  |
| <b>Hybrid Card Reader</b>         | AFLP-19AMSI-U  |
| <b>Magnetic Stripe Reader</b>     | AFLP-19MSR-U   |
| <b>DC 12V Input UPS</b>           | AUPS-B10-R10 (VESA 100, DC 12V input, 12V output 100W UPS module with 3800mAh)   |
| <b>DC 9~36V Input UPS</b>         | AUPS-B20-R10 (VESA 100, DC 9~36V input, 12V output 100W UPS module with 3800mAh) |
| <b>Bluetooth V2.0+EDR</b>         | AFL-BT-KIT01-R10   |

1

IEIMobile Solutions

2

Automation Panel Solutions

3

PACSmate Medical Solutions

4

Optional Peripherals