

IEI Product Change Notice

Affected Part No.: CF-775B-RS

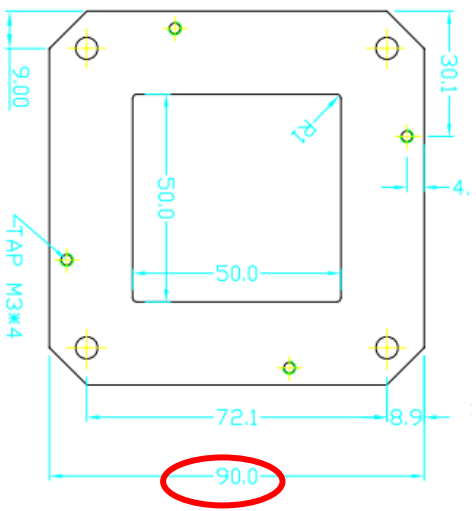
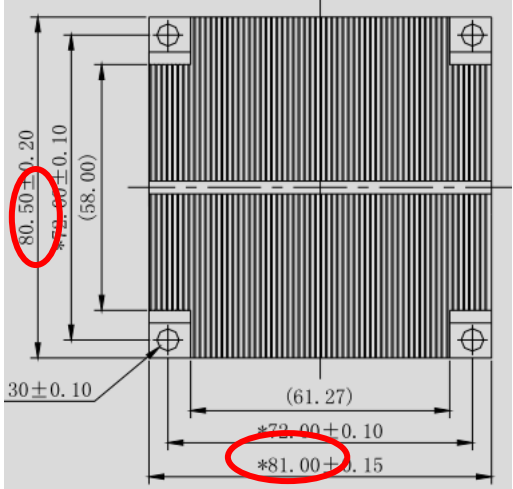
Effective date: Apr 09.2012

Version Change: R11

Dear Customers,

IEI appreciates your continued support of our IPC business. We would like to notify you of product changes of the CF-775B-RS cooling kit. The heatsink dimensions of the new version (CF-775B-RS-R11) are a little different from the previous version (see the table below), but the installation procedure and cooling performance will remain the same.

We are sharing this information with you at the earliest possible time. If you have any further questions, please contact us immediately.

Differences	CF-775B-RS	CF-775B-RS -R11
Dimensions (Heatsink)	90 x 90(mm) 	81 x 80.5(mm) 

If you have any suggestions and comments, please feel free to contact us.

With Best Regards,

Rita Wang

Product Manager

IEI Technology Corp.