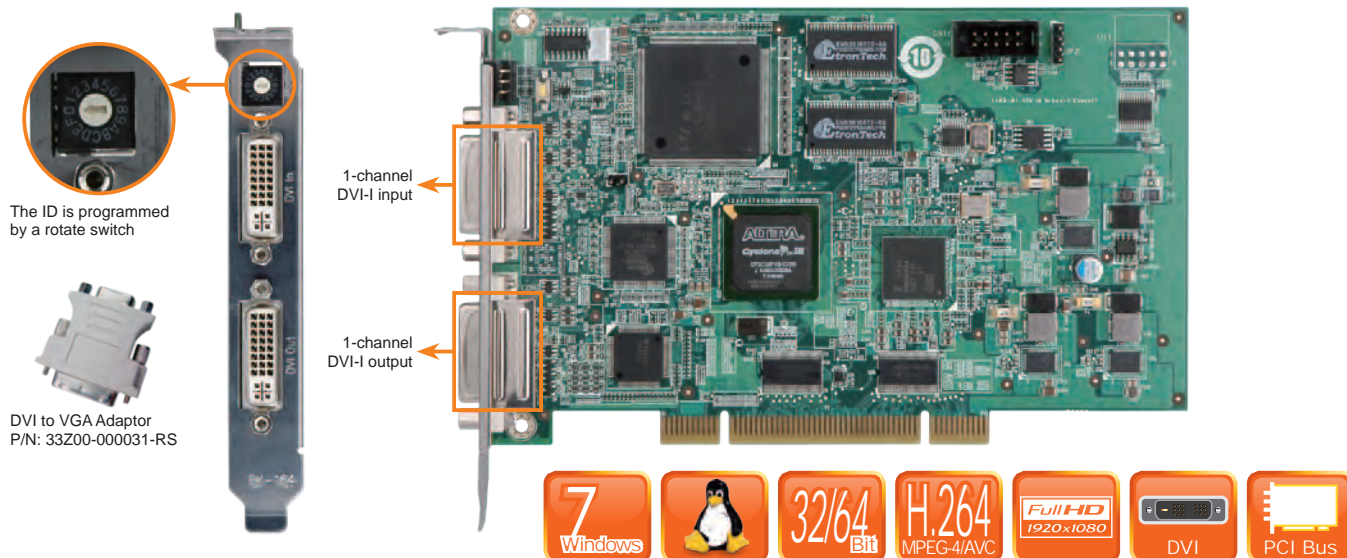


HDC-401

PCI video capture card with one DVI-I input channel and one DVI-I output channel, 1920x1080 @60p, and H.264 Hardware Codec

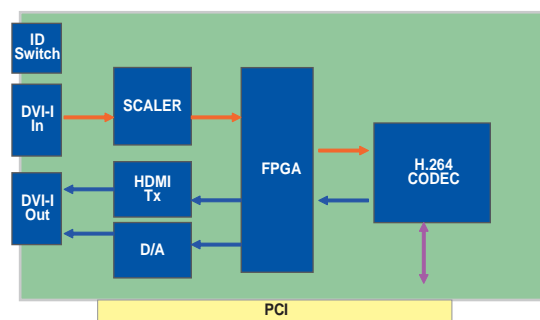
H.264 Hardware Codec



Features

- Compatible with Windows® XP, Windows® 7 and Linux
- Equipped with one DVI-I input port
- Encoding or decoding up to 1080p HD video
- Pass through for transmitting uncompressed video up to 1080p resolution
- Captures or records HD video in H.264 format
- Playbacks the recordings on DVI-I display
- SDK available for customer to create customized applications

System Block



Specifications

◆ Interface

Video Input	1 channel
Video Input Type	DVI-I (DVI/VGA)
Video Output	1 channel
Video Output Type	DVI-I (DVI/VGA)
Bus Interface	PCI
Loop Through	1 channel

◆ Video Processing

Video Compression	H.264/AVC High Profile Level 4.2
Input Resolution & Frame Rate	Supports VESA video input up to 1920 x 1080 x 60p
Record Resolution / Frame Rate / Bit Rate	1920 x 1080 x 60p, encoding video bit rate from 6Mbps to 20Mbps 1280 x 720 x 60p, encoding video bit rate from 4Mbps to 20Mbps

◆ Functionality

Multiple Card Support	No
-----------------------	----

◆ System Requirement

System	x86 PC compatible computer, Intel® Pentium® 4 2.0GHz or above for video record Recommends using a DXVA or CUDA capable graphics card for real-time video playback
Memory	1GB or more
OS Environment	Microsoft® Windows® XP Service Pack 2 (SP2) (32-bit version) Microsoft® DirectX 9.0c (32-bit) Microsoft® .NET Framework 2.0 (32-bit version) Linux: Fedora 16 (Kernel 3.1)

◆ Software Support

Device Driver	Compatible with Windows® XP, Windows® 7, Linux Kernel 3.1
SDK	Windows®: Provides SDK and demo program with sample source code in C# Linux: Provides SDK and driver/demo program with sample source code in C

◆ Others

Dimensions	106.7 mm x 167.6 mm
Operating Temperature	0°C ~ 65°C, non-condensing
Power Consumption	6.32W (5V@0.83A, 3.3V@0.65A)

Packing List

1 x HDC-401 capture card
1 x Utility CD
1 x QIG

Ordering Information

Part No.	Description
HDC-401-R10	PCI video capture card with one DVI-I input channel and one DVI-I output channel, 1920x1080@60p, and H.264 Hardware Codec
33Z00-000031-RS	DVI to VGA adapter