



IEI Technology Corp.



**MODEL:**  
**AFL-W19A/W19B/17D/W15A-N270**

**Panel PC with Touch Screen Intel® CPU  
Gigabit Ethernet, USB, Audio, RS-232/422/485, SATA  
RoHS Compliant, IP64 Protection**

## **User Manual**

**Rev. 1.06 – 29 June 2011**



# Revision

<b>Date</b>	<b>Version</b>	<b>Changes</b>
29 June 2011	1.06	Added battery disposal warning message in Appendix A
24 June, 2010	1.05	Minor updates
19 November 2009	1.04	Updated I/O diagrams
3 November 2009	1.03	Changed jumper settings section
26 May 2009	1.02	Minor updates
8 April 2009	1.01	Added 15"
18 March 2009	1.00	Initial release

# Copyright

---

## **COPYRIGHT NOTICE**

The information in this document is subject to change without prior notice in order to improve reliability, design and function and does not represent a commitment on the part of the manufacturer.

In no event will the manufacturer be liable for direct, indirect, special, incidental, or consequential damages arising out of the use or inability to use the product or documentation, even if advised of the possibility of such damages.

This document contains proprietary information protected by copyright. All rights are reserved. No part of this manual may be reproduced by any mechanical, electronic, or other means in any form without prior written permission of the manufacturer.

## **TRADEMARKS**

All registered trademarks and product names mentioned herein are used for identification purposes only and may be trademarks and/or registered trademarks of their respective owners.

# Table of Contents

<b>1 INTRODUCTION</b> .....	<b>1</b>
1.1 OVERVIEW.....	2
1.2 MODEL VARIATIONS .....	2
1.3 FEATURES.....	3
1.4 EXTERNAL OVERVIEW.....	3
1.4.1 <i>Front Panel</i> .....	3
1.4.2 <i>Rear Panel</i> .....	4
1.4.3 <i>Bottom Panel</i> .....	5
1.5 INTERNAL OVERVIEW.....	5
1.6 SPECIFICATIONS .....	5
1.7 DIMENSIONS.....	7
1.7.1 <i>AFL-W15A-N270 Dimensions</i> .....	7
1.7.2 <i>AFL-17D-N270 Dimensions</i> .....	8
1.7.3 <i>AFL-W19A-N270 Dimensions</i> .....	9
1.7.4 <i>AFL-W19B-N270 Dimensions</i> .....	10
<b>2 INSTALLATION</b> .....	<b>11</b>
2.1 UNPACK THE PANEL PC.....	12
2.2 PACKING LIST.....	13
2.3 HARD DRIVE INSTALLATION.....	14
2.4 COMPACTFLASH® INSTALLATION .....	16
2.4.1 <i>AFL-17D-N270 CompactFlash® Installation</i> .....	16
2.4.2 <i>ALF-W15A-N270, AFL-W19A-N270, AFL-W19B-N270 CompactFlash® Installation</i> .....	17
2.5 JUMPER SETTINGS .....	18
2.5.1 <i>Access the Jumpers</i> .....	19
2.5.2 <i>Preconfigured Jumpers</i> .....	19
2.5.3 <i>CF Card Setup</i> .....	20
2.5.4 <i>Clear CMOS Jumper</i> .....	20
2.5.5 <i>COM Port Pin 9 Select</i> .....	22
2.5.6 <i>COM3 RX Function Select Jumper</i> .....	23

## AFL-W19A/W19B/17D/W15A-N270 Panel PC

2.5.7	<i>COM3 TX Function Select Jumper</i> .....	24
2.5.8	<i>COM3 RS-232/422/485 Serial Port Select Jumper</i> .....	25
2.5.8.1	<i>COM3 RS-422 and RS-485 Pinouts</i> .....	26
2.6	<b>MOUNTING THE SYSTEM</b> .....	27
2.6.1	<i>Monitor Stand</i> .....	27
2.6.2	<i>Cabinet and Rack</i> .....	28
2.6.3	<i>Arm Mounting</i> .....	30
2.6.4	<i>Wall Mounting</i> .....	32
2.6.5	<i>Panel Mounting (AFL-17D-N270 / AFL-W19A-N270 / AFL-W19B-N270)</i> ....	35
2.6.6	<i>Panel Mounting (AFL-W15A-N270)</i> .....	37
2.7	<b>BOTTOM PANEL CONNECTORS</b> .....	39
2.7.1	<i>LAN Connection</i> .....	39
2.7.2	<i>Serial Device Connection</i> .....	40
2.7.3	<i>USB Device Connection</i> .....	41
2.7.4	<i>VGA Monitor Connection</i> .....	42
2.8	<b>POWER CONNECTION</b> .....	43
2.9	<b>DRIVER INSTALLATION</b> .....	43
<b>3</b>	<b>BIOS SETUP</b> .....	<b>45</b>
3.1	<b>INTRODUCTION</b> .....	46
3.1.1	<i>Starting Setup</i> .....	46
3.1.2	<i>Using Setup</i> .....	46
3.1.3	<i>Getting Help</i> .....	47
3.1.4	<i>Unable to Reboot After Configuration Changes</i> .....	47
3.1.5	<i>BIOS Menu Bar</i> .....	47
3.2	<b>MAIN</b> .....	48
3.3	<b>ADVANCED</b> .....	49
3.3.1	<i>CPU Configuration</i> .....	50
3.3.2	<i>IDE Configuration</i> .....	51
3.3.2.1	<i>IDE Master, IDE Slave</i> .....	52
3.3.3	<i>Super IO Configuration</i> .....	57
3.3.4	<i>Hardware Health Configuration</i> .....	60
3.3.5	<i>Power Configuration</i> .....	63
3.3.5.1	<i>ACPI Settings</i> .....	64
3.3.5.2	<i>APM Configuration</i> .....	65



3.3.6 Remote Access Configuration .....	67
3.3.7 USB Configuration.....	71
3.3.7.1 USB Mass Storage Device Configuration.....	73
3.4 PCI/PNP.....	74
3.5 BOOT.....	77
3.5.1 Boot Settings Configuration.....	77
3.5.2 Boot Device Priority .....	80
3.5.3 Hard Disk Drives .....	81
3.5.4 Removable Drives .....	81
3.5.5 CD/DVD Drives .....	82
3.6 SECURITY.....	83
3.7 CHIPSET .....	84
3.7.1 Northbridge Configuration .....	85
3.7.2 Southbridge Configuration .....	87
3.8 EXIT .....	88
<b>4 SYSTEM MAINTENANCE .....</b>	<b>90</b>
4.1 SYSTEM MAINTENANCE INTRODUCTION .....	91
4.2 MOTHERBOARD REPLACEMENT .....	91
4.3 COVER REMOVAL.....	91
4.4 MEMORY MODULE REPLACEMENT.....	92
<b>A SAFETY PRECAUTIONS .....</b>	<b>94</b>
A.1 SAFETY PRECAUTIONS .....	95
A.1.1 General Safety Precautions .....	95
A.1.2 Anti-static Precautions .....	96
A.1.3 Product Disposal.....	97
A.2 MAINTENANCE AND CLEANING PRECAUTIONS .....	97
A.2.1 Maintenance and Cleaning.....	97
A.2.2 Cleaning Tools.....	98
<b>B BIOS OPTIONS .....</b>	<b>99</b>
<b>C TERMINOLOGY.....</b>	<b>103</b>
<b>D WATCHDOG TIMER .....</b>	<b>107</b>
<b>E HAZARDOUS MATERIALS DISCLOSURE.....</b>	<b>110</b>

## AFL-W19A/W19B/17D/W15A-N270 Panel PC

E.1 HAZARDOUS MATERIALS DISCLOSURE TABLE FOR IPB PRODUCTS CERTIFIED AS  
ROHS COMPLIANT UNDER 2002/95/EC WITHOUT MERCURY ..... 111

# List of Figures

Figure 1-1: AFL-W19A/W19B/17D/W15A-N270 .....	2
Figure 1-2: Front Panel .....	4
Figure 1-3: Rear Panel.....	4
Figure 1-4: Bottom Panel .....	5
Figure 1-5: AFL-W15A-N270 Dimensions .....	7
Figure 1-6: AFL-17D-N270 Dimensions .....	8
Figure 1-7: AFL-W19A-N270 Dimensions .....	9
Figure 1-8: AFL-W19B-N270 Dimensions .....	10
Figure 2-1: Aluminum Back Cover Retention Screws .....	15
Figure 2-2: HDD Bracket .....	15
Figure 2-3: HDD Installation.....	16
Figure 2-4: Remove CompactFlash® Cover.....	16
Figure 2-5: CompactFlash® Install.....	17
Figure 2-6: CompactFlash® Slot Location .....	17
Figure 2-7: CompactFlash® Install.....	18
Figure 2-8: CF Card Setup Jumper Location .....	20
Figure 2-9: Clear CMOS Jumper .....	21
Figure 2-10: COM1 and COM3 Pin 9 Setting Jumper Locations.....	23
Figure 2-11: COM3 RX Function Select Jumper Location.....	24
Figure 2-12: COM3 TX Function Select Jumper Pinout Locations.....	25
Figure 2-13: COM3 RS-232/422/485 Serial Port Select Jumper Location.....	26
Figure 2-14: Monitor Stand .....	28
Figure 2-15: The Rack/Cabinet Bracket.....	29
Figure 2-16: Secure the Rack/Cabinet Bracket.....	29
Figure 2-17: Install into a Rack/Cabinet .....	30
Figure 2-18: Wall Arm.....	30
Figure 2-19: Arm Mounting Retention Screw Holes.....	31
Figure 2-20: Wall Mount .....	32
Figure 2-21: Wall-mounting Bracket.....	33
Figure 2-22: Chassis Support Screws.....	34



## AFL-W19A/W19B/17D/W15A-N270 Panel PC

Figure 2-23: Secure the Panel PC .....	35
Figure 2-24: AFL-17D-N270 Cutout .....	36
Figure 2-25: AFL-W19A-N270 and AFL-W19B-N270 Cutout.....	36
Figure 2-26: Tighten the Panel Mounting Clamp Screws .....	37
Figure 2-27: AFL-W15A-N270 Cutout.....	38
Figure 2-28: Tighten the Panel Mounting Clamp Screws .....	39
Figure 2-29: Connectors .....	39
Figure 2-30: LAN Connection .....	40
Figure 2-31: Serial Device Connector.....	41
Figure 2-32: USB Device Connection .....	42
Figure 2-33: VGA Connector .....	43
Figure 4-1: Back Cover Retention Screws .....	92
Figure 4-2: DDR SO-DIMM Module Installation.....	93

# List of Tables

---

Table 1-1: System Specifications.....	6
Table 2-1: Packing List.....	14
Table 2-2: Jumpers .....	19
Table 2-3: Preconfigured Jumpers .....	19
Table 2-4: CF Card Setup Jumper Settings .....	20
Table 2-5: Clear CMOS Jumper Settings.....	21
Table 2-6: COM1 Pin 9 Setting Jumper Settings .....	22
Table 2-7: COM3 Pin 9 Setting Jumper Settings .....	22
Table 2-8: COM3 RX Function Select Jumper Settings .....	23
Table 2-9: COM3 TX Function Select Jumper Settings.....	24
Table 2-10: COM3 RS-232/422/485 Serial Port Select Jumper Settings .....	26
Table 2-11: RS-422 Pinouts .....	26
Table 2-12: RS-485 Pinouts .....	27
Table 3-1: BIOS Navigation Keys .....	47

# BIOS Menus

---

BIOS Menu 1: Main .....	48
BIOS Menu 2: Advanced .....	49
BIOS Menu 3: CPU Configuration .....	50
BIOS Menu 4: IDE Configuration .....	51
BIOS Menu 5: IDE Master and IDE Slave Configuration .....	52
BIOS Menu 6: Super IO Configuration .....	57
BIOS Menu 7: Hardware Health Configuration .....	60
BIOS Menu 8: APM Configuration .....	63
BIOS Menu 9: ACPI Settings .....	64
BIOS Menu 10: APM Configuration .....	65
BIOS Menu 11: Remote Access Configuration .....	67
BIOS Menu 12: USB Configuration .....	71
BIOS Menu 13: USB Mass Storage Device Configuration .....	73
BIOS Menu 14: PCI/PnP Configuration .....	75
BIOS Menu 15: Boot .....	77
BIOS Menu 16: Boot Settings Configuration .....	77
BIOS Menu 17: Boot Device Priority Settings .....	80
BIOS Menu 18: Hard Disk Drives .....	81
BIOS Menu 19: Removable Drives .....	81
BIOS Menu 20: CD/DVD Drives .....	82
BIOS Menu 21: Security .....	83
BIOS Menu 22: Chipset .....	84
BIOS Menu 23: Northbridge Chipset Configuration .....	85
BIOS Menu 24: Southbridge Chipset Configuration .....	87
BIOS Menu 25: Exit .....	88



Chapter

1

# Introduction

---



## 1.1 Overview



Figure 1-1: AFL-W19A/W19B/17D/W15A-N270

The Afolux panel PCs are all-in-one panel PCs with all the elements of a desktop computer contained in a single, slim package, no bigger than a thick monitor. The Afolux panel PCs can be mounted on a desktop monitor stand and save a huge amount of desktop space by including all the computer components behind the screen. All models include a touch screen interface.

The Afolux is a self-contained system, with all parts, excluding the power supply, contained inside the casing allowing a completely interactive panel PC with only a single power cable. External devices are connected wirelessly through Bluetooth technology and network access is enabled through an 802.11b/g/n wireless adapter. Wired options are always available on the rear panel, with two serial ports and four USB ports for peripherals and two Gigabit Ethernet slots for networking.

The Afolux includes both audio and visual multimedia capabilities. All models have a VGA output for connecting another monitor to the system, and audio outputs for external audio. There is also a built-in 300 K webcam and a microphone input jack.

## 1.2 Model Variations

The AFL-17D-N270 and AFL-W19B-N270 also support a built-in slim-type SATA optical disk drive.

## AFL-W19A/W19B/17D/W15A-N270 Panel PC

### 1.3 Features

Some of the standard features of the AFL-W19A/W19B/17D/W15A-N270 flat panel PC include:

- Fully self-contained, only power from the external power supply required
- Touch screen
- Wireless LAN
- Gigabit Ethernet
- Bluetooth
- IP64 protection
- RoHS compliant

### 1.4 External Overview

The AFL-W19A/W19B/17D/W15A-N270 consists of a screen and rear panel that covers the back, sides and top. The rear panel contains a smaller access panel, all the cable connections and the mounting holes.

#### 1.4.1 Front Panel

The front side of the AFL-W19A/W19B/17D/W15A-N270 is a flat panel LCD screen surrounded by a plastic frame.

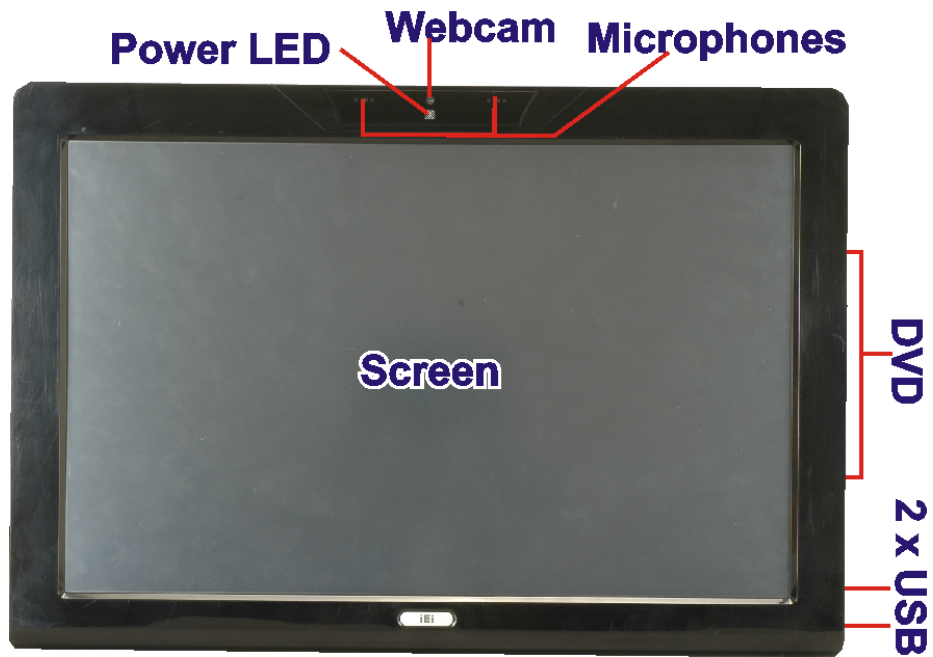


Figure 1-2: Front Panel

### 1.4.2 Rear Panel

The rear panel provides access to retention screw holes that support the wall mounting. Refer to Figure 1-3.

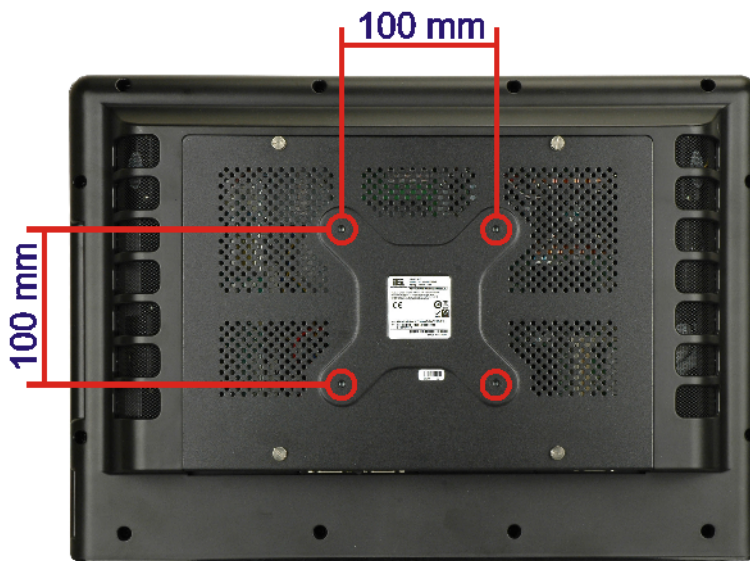


Figure 1-3: Rear Panel

## AFL-W19A/W19B/17D/W15A-N270 Panel PC

### 1.4.3 Bottom Panel

The bottom panel has the following slots, buttons and switches (Figure 1-4):

- 2 x Gigabit LAN
- 1 x Line output (audio)
- 1 x OSD keypad
- 1 x Power switch
- 1 x Power input (12 V)
- 1 x Reset button
- 1 x RS-232
- 1 x RS-232/422/485
- 4 x USB ports
- 1 x VGA port

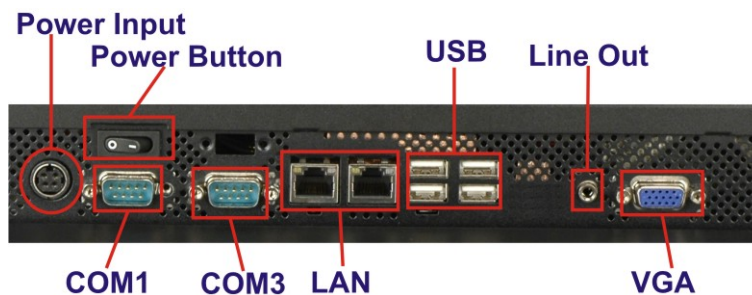


Figure 1-4: Bottom Panel

### 1.5 Internal Overview

All the components are contained under the rear panel. The internal components include the touch panel module and the motherboard. The motherboard has memory, a wireless module and a hard drive. Optionally, an HSDPA module can be installed in any of the models. The AFL-W19B-N270 also supports an optical disk drive.

### 1.6 Specifications

The technical specifications for the AFL-W19A/W19B/17D/W15A-N270 systems are listed in Table 1-1.



SPECIFICATION	AFL-W15A-N270	AFL-17D-N270	AFL-W19A-N270	AFL-W19B-N270
<b>Mainboard</b>	AFLMB2-945GSE-N270			
<b>CPU</b>	1.6 GHz Intel® Atom			
<b>LCD Panel</b>	15.6"	17"	19"	19"
<b>Resolution</b>	1366 x 768	1280 x 1024	1440 x 900	1440 x 900
<b>Brightness</b>	250	300	300	300
<b>Contrast Ratio</b>	500:1	800:1	850:1	850:1
<b>LCD Colors</b>	16.2 million	16.7 million	16.2 million	16.2 million
<b>Pixel Pitch</b>	0.252 x 0.252	0.264 x 0.264	0.285 x 0.285	0.285 x 0.285
<b>Viewing Angle (H/V)</b>	110/85	160/160	160/160	160/160
<b>Backlight MTBF</b>	50000	50000	50000	50000
<b>Touch Screen</b>	5-wire resistive touch panel			
<b>I/O</b>	2 x Gigabit LAN 1 x Line output (audio) 1 x Power input (12 V) 1 x RS-232 1 x RS-232/422/485 4 x USB ports 1 x VGA port			
<b>Power Adapter</b>	100-240 VAC input, 12 V output			
<b>Power Consumption</b>	50 W	58 W	55 W	61 W
<b>Mounting Feature</b>	VESA 100x100			
<b>Operating Temp.</b>	0°C ~ 40°C			
<b>Dimension (WxHxD)</b>	400 x 273 x 62.9	410 x 349 x 83	475 x 332 x 65	475 x 332 x 84
<b>Net/Gross Weight</b>	3.3 kg	6.2 kg	5.8 kg	6.2 kg
<b>Front Panel Protection</b>	IP64 compliant			
<b>EMC and Safety</b>	CE, FCC, CB, CCC			

**Table 1-1: System Specifications**



## AFL-W19A/W19B/17D/W15A-N270 Panel PC

### 1.7 Dimensions

#### 1.7.1 AFL-W15A-N270 Dimensions

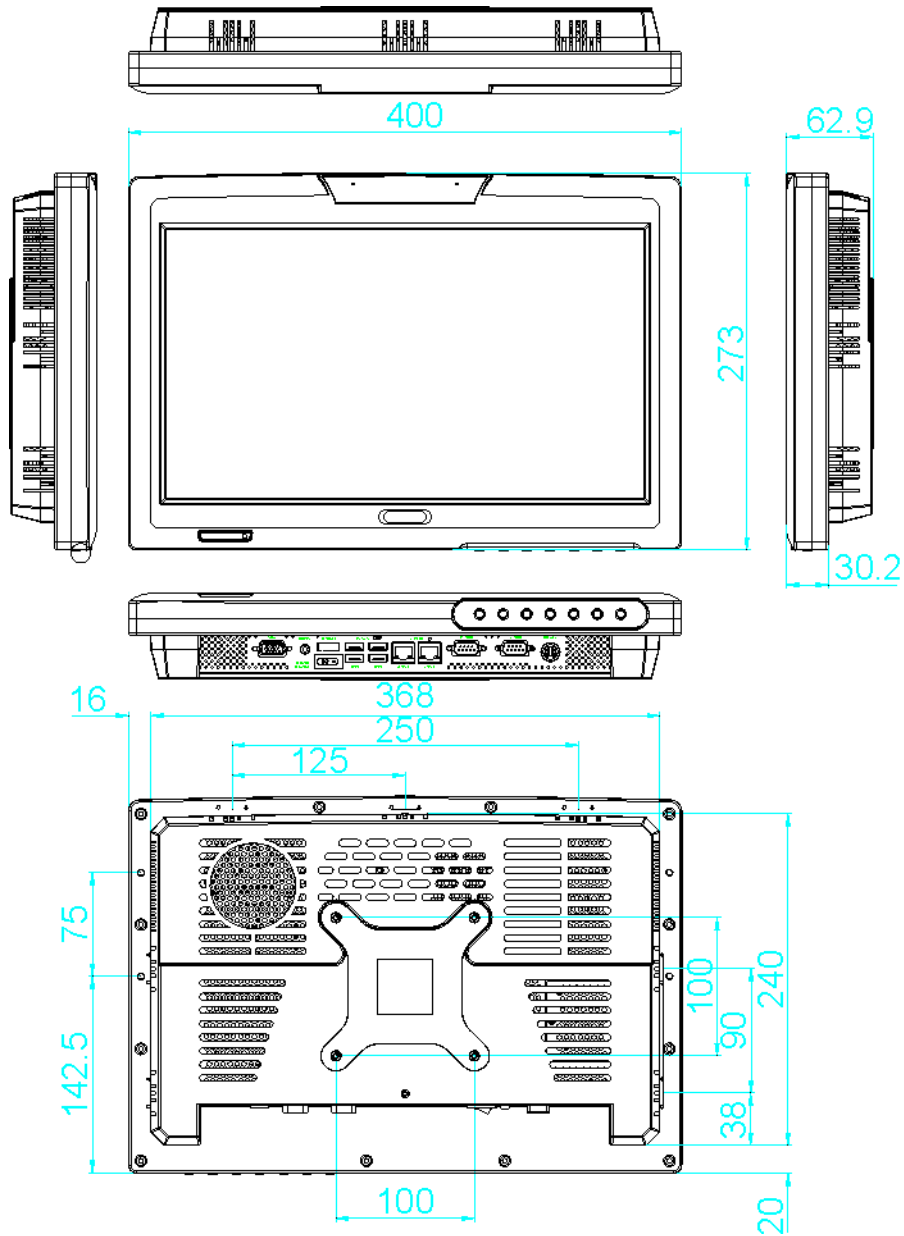


Figure 1-5: AFL-W15A-N270 Dimensions

1.7.2 AFL-17D-N270 Dimensions

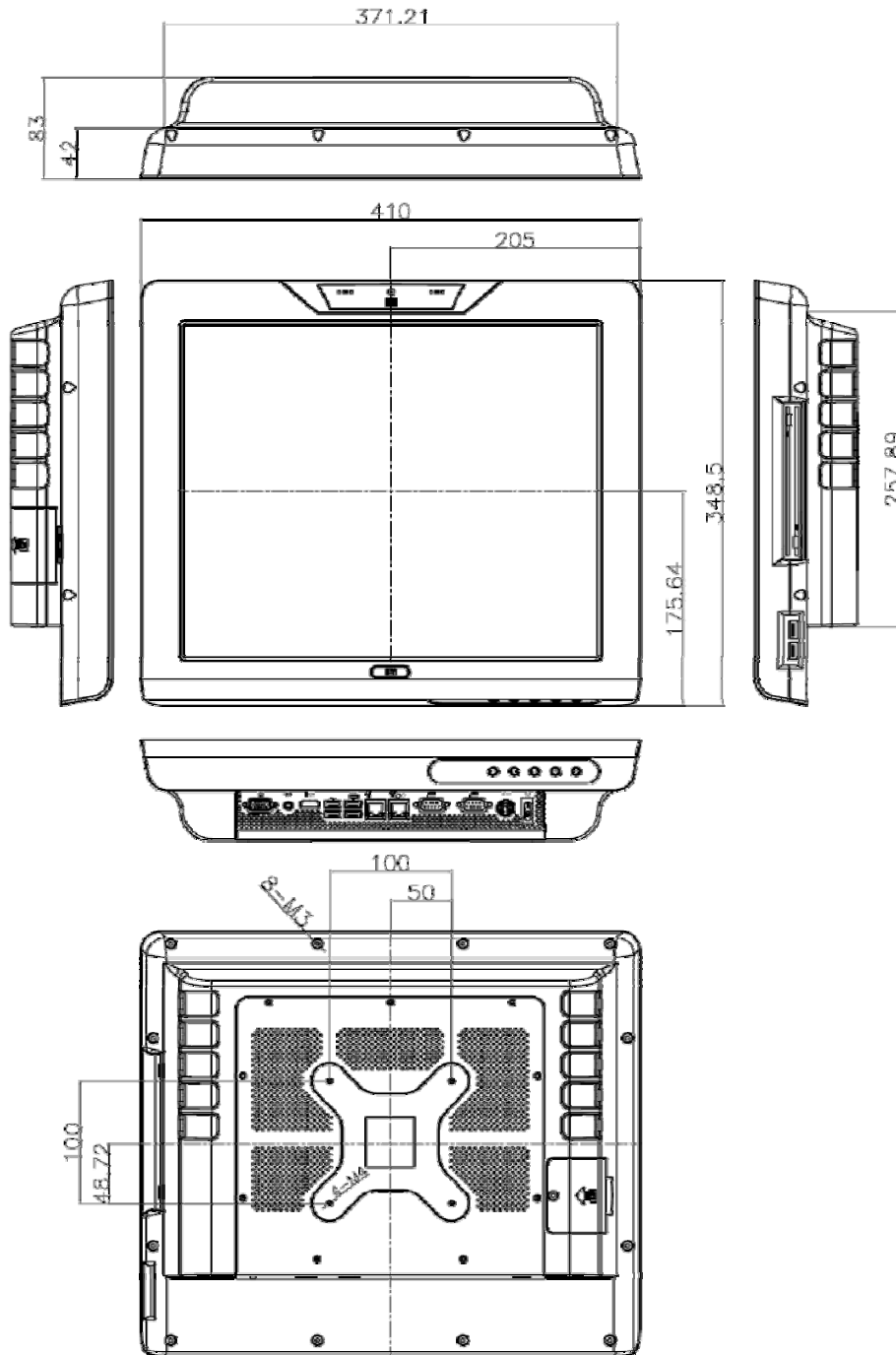
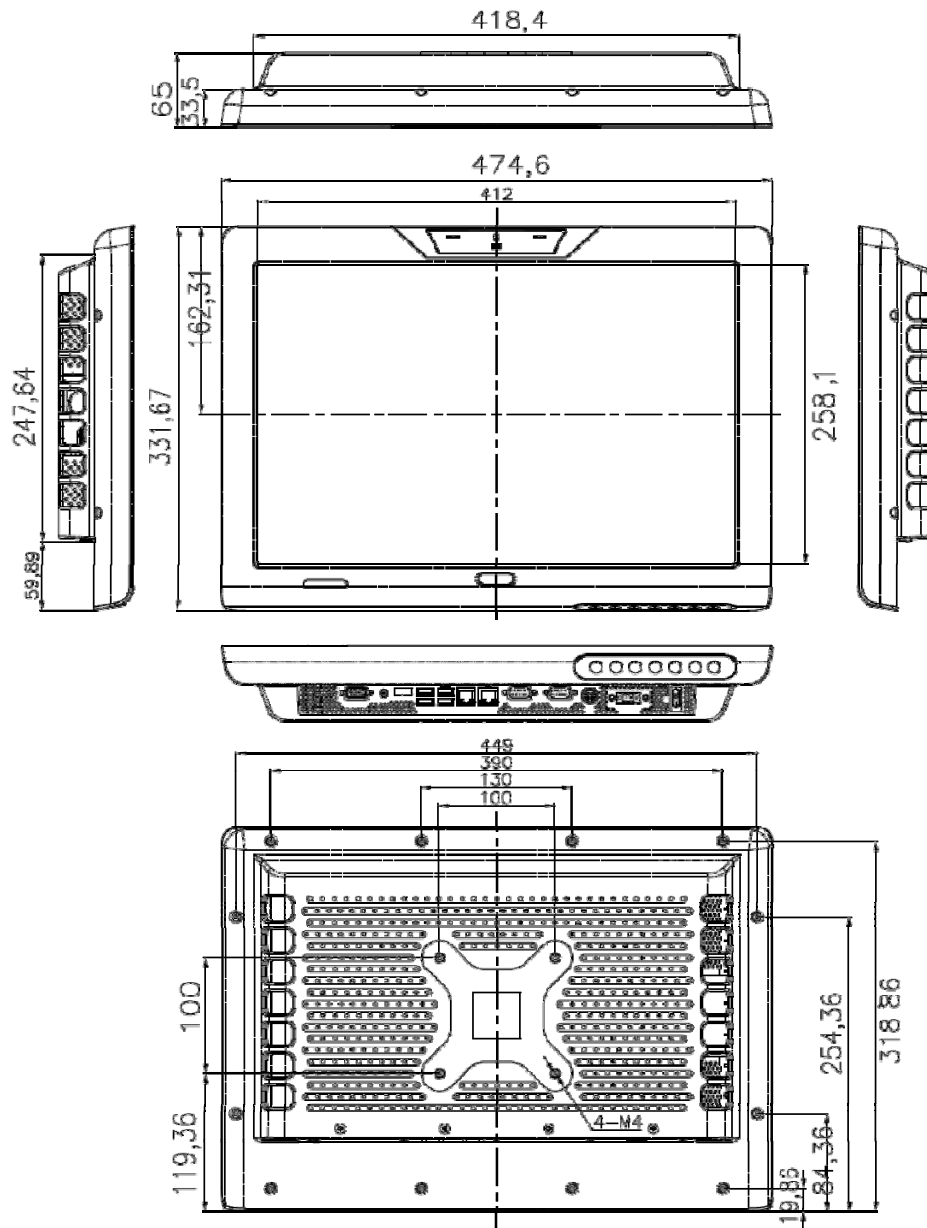


Figure 1-6: AFL-17D-N270 Dimensions

**AFL-W19A/W19B/17D/W15A-N270 Panel PC**

**1.7.3 AFL-W19A-N270 Dimensions**



**Figure 1-7: AFL-W19A-N270 Dimensions**

1.7.4 AFL-W19B-N270 Dimensions

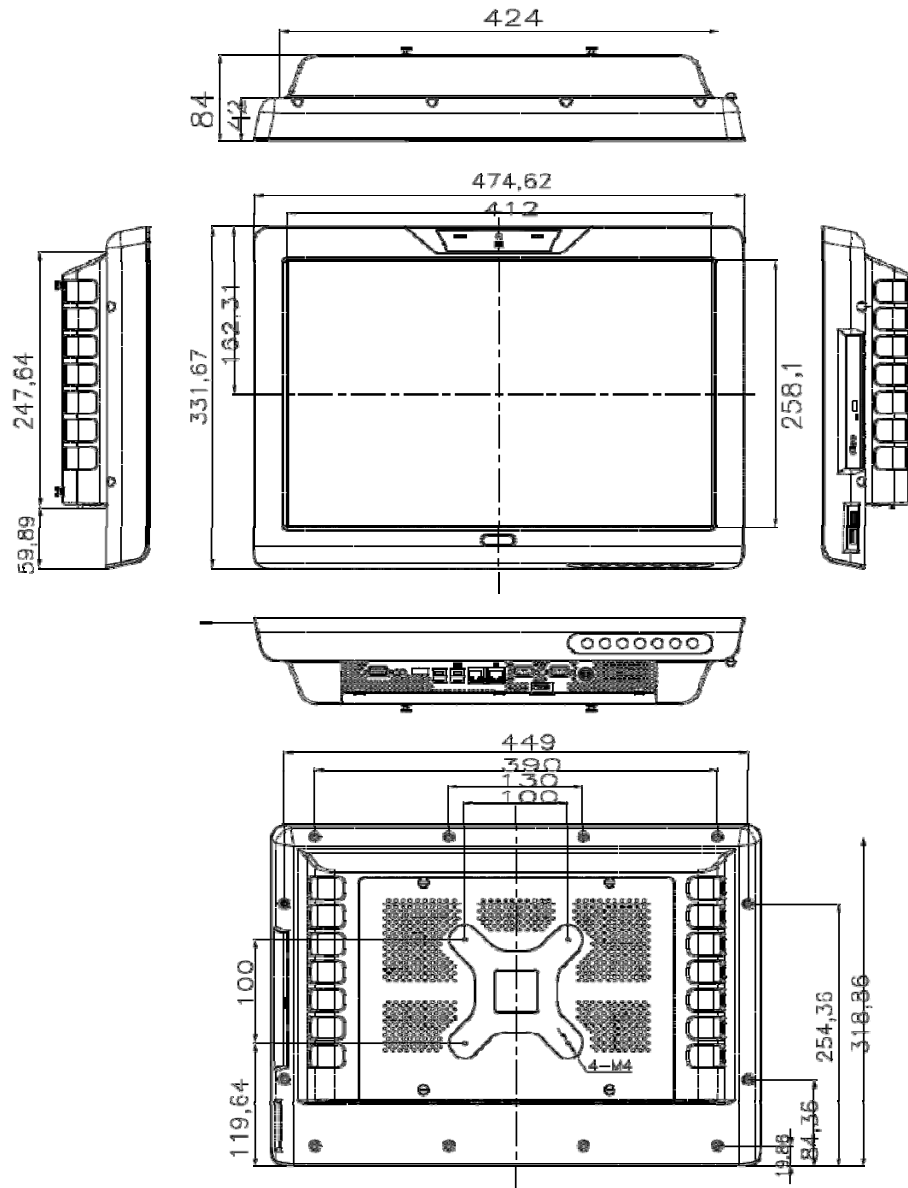


Figure 1-8: AFL-W19B-N270 Dimensions

Chapter

2

# Installation

---



**WARNING:**

When installing the AFL-W19A/W19B/17D/W15A-N270, make sure to:

- **Turn the power off:** Chance of electrocution. Turn off the monitor and unplug it from the power supply.
- **Only let certified engineers change the hardware settings:** Incorrect settings can cause irreparable damage to the product.
- **Install the monitor with assistance:** The product is very heavy and may be damaged by drops and bumps. Two or more people should install the panel PC.
- **Take anti-static precautions:** Electrostatic discharge can destroy electrical components and injure the user. Users must ground themselves using an anti-static wristband or similar device.

The installation steps below should be followed in order.

**Step 1:** Unpack the flat panel PC

**Step 2:** Check all the required parts are included

**Step 3:** Install the hard drive

**Step 4:** Install the CompactFlash® card

**Step 5:** Mount the flat panel PC

**Step 6:** Connect peripheral devices to the bottom panel of the flat panel PC

**Step 7:** Connect the power cable

**Step 8:** Configure the system

## 2.1 Unpack the Panel PC

To unpack the flat panel PC, follow the steps below:

## AFL-W19A/W19B/17D/W15A-N270 Panel PC







### WARNING!



Only remove the protective plastic cover stuck to the front screen after installation. The plastic layer protects the monitor surface during installation process.

- 
- Step 1:** Carefully cut the tape sealing the box. Only cut deep enough to break the tape.
  - Step 2:** Open the outside box.
  - Step 3:** Carefully cut the tape sealing the box. Only cut deep enough to break the tape.
  - Step 4:** Open the inside box.
  - Step 5:** Lift the monitor out of the boxes.
  - Step 6:** Remove the peripheral parts box from the main box.

## 2.2 Packing List

The AFL-W19A/W19B/17D/W15A-N270 flat panel PC is shipped with the following components:

Quantity	Item	Image
1	AFL-W19A/W19B/17D/W15A-N270	
1	Power adapter	
1	Power cord	
1	Screw set	

Quantity	Item	Image
1	Touch screen pen	
1	Utility CD	

**Table 2-1: Packing List**

If any of these items are missing or damaged, contact the distributor or sales representative immediately.

## 2.3 Hard Drive Installation

This section outlines the installation of the hard drive in the AFL-W19A/W19B/17D/W15A-N270. To install the hard drive, please follow the steps below:

**Step 1:** Remove the plastic back cover.

**Step 2:** Unfasten the four silver retention screws. The screws will not separate from the cover - just loosen as much as possible (Figure 2-1).

## AFL-W19A/W19B/17D/W15A-N270 Panel PC

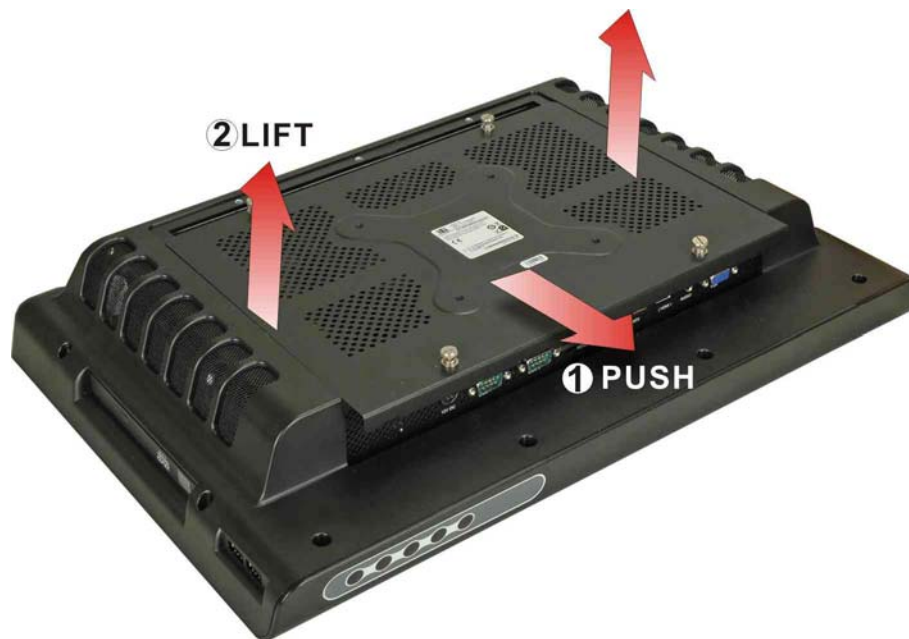


Figure 2-1: Aluminum Back Cover Retention Screws

**Step 3:** Slide the cover down and then lift to remove.

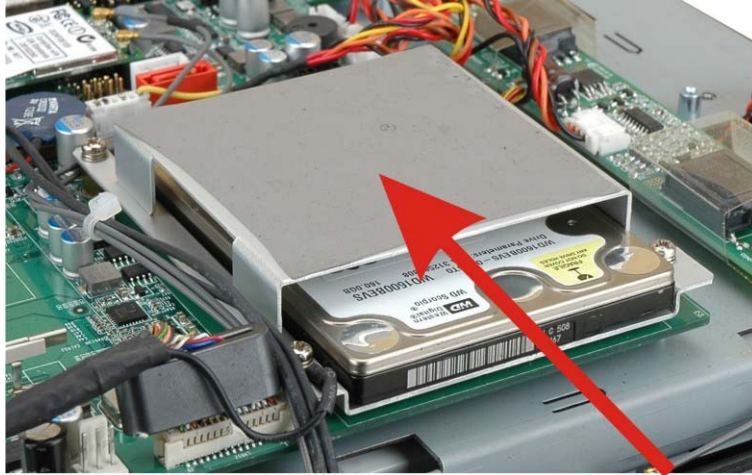


Figure 2-2: HDD Bracket

**Step 4:** Locate the HDD bracket.

**Step 5:** Insert the SATA connector end of the HDD into the bracket to connect the motherboard SATA connector to the hard drive SATA connector as shown in the figure below.





**Figure 2-3: HDD Installation**

**Step 6:** Replace the cover and screws.

## 2.4 CompactFlash® Installation

The installation for a CompactFlash® card is described in this section.

### 2.4.1 AFL-17D-N270 CompactFlash® Installation

**Step 1:** Undo the CompactFlash® slot screw.

**Step 2:** Slide the cover upwards to remove.



**Figure 2-4: Remove CompactFlash® Cover**

**Step 3:** Install the CompactFlash® in the slot inside.



## AFL-W19A/W19B/17D/W15A-N270 Panel PC



**Figure 2-5: CompactFlash® Install**

**Step 4:** Slide the cover back on, then fasten the screw.

### 2.4.2 ALF-W15A-N270, AFL-W19A-N270, AFL-W19B-N270 CompactFlash® Installation

**Step 1:** Locate the CompactFlash® slot as shown in the figure below.



**Figure 2-6: CompactFlash® Slot Location**

**Step 2:** Install the CompactFlash® card into the slot (see figure below).



**Figure 2-7: CompactFlash® Install**

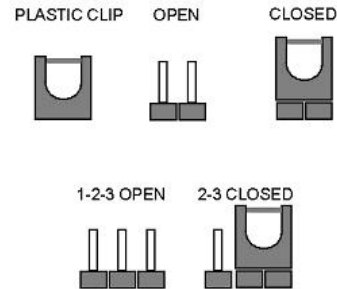
**Step 3:** Replace the cover and screws.

## 2.5 Jumper Settings



**NOTE:**

A jumper is a metal bridge used to close an electrical circuit. It consists of two or three metal pins and a small metal clip (often protected by a plastic cover) that slides over the pins to connect them. To CLOSE/SHORT a jumper means connecting the pins of the jumper with the plastic clip and to OPEN a jumper means removing the plastic clip from a jumper.



The following jumpers can be found on the motherboard installed in the AFL-W19A/W19B/17D/W15A-N270. Before the AFL-W19A/W19B/17D/W15A-N270 is installed, the jumpers must be set in accordance with the desired configuration. The jumpers on the AFL-W19A/W19B/17D/W15A-N270 motherboard are listed in Table 2-2.

## AFL-W19A/W19B/17D/W15A-N270 Panel PC

Description	Label	Type
CF card setup	JCF1	2-pin header
Clear CMOS	J_COMS1	3-pin header
COM1 Pin 9 setting	JP6	6-pin header
COM3 Pin 9 setting	JP7	6-pin header
COM3 RX RS-232/422/485 select	JP8	8-pin header
COM3 TX RS-422/485 select	JP11	6-pin header
COM3 RS-232/422/485 select	JP10	12-pin header

**Table 2-2: Jumpers**

### 2.5.1 Access the Jumpers

To access the jumpers, please remove the back panel and the internal aluminum chassis.

### 2.5.2 Preconfigured Jumpers



**WARNING:**

Do not change the settings on the jumpers in described here. Doing so may disable or damage the system.

The following jumpers are preconfigured for the AFL-W19A/W19B/17D/W15A-N270. Users should no change these jumpers (Table 2-3).

Jumper Name	Label	Type
LVDS voltage selection	J_VLVDS1	4-pin header
Touch Screen Select	J1	4-pin header
Panel Type and Resolution	J_LCD_TYPE1	8-pin header

**Table 2-3: Preconfigured Jumpers**



### 2.5.3 CF Card Setup

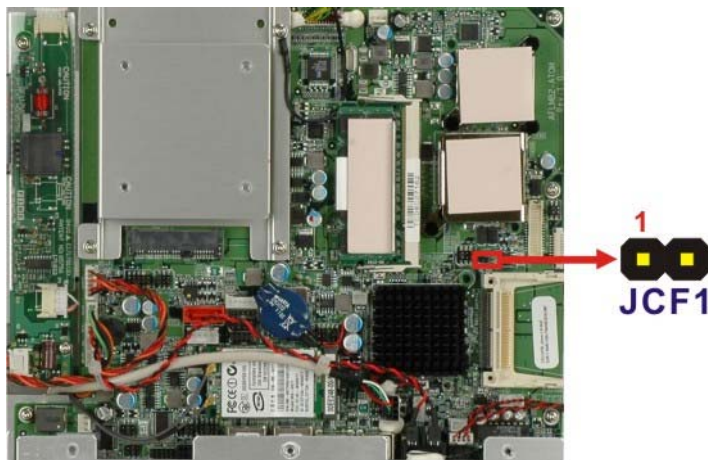
<b>Jumper Label:</b>	<b>JCF1</b>
<b>Jumper Type:</b>	2-pin header
<b>Jumper Settings:</b>	See Table 2-4
<b>Jumper Location:</b>	See Figure 2-8

The CF Card Setup jumper sets the CF Type I card or CF Type II cards as either the slave device or the master device. CF Card Setup jumper settings are shown in Table 2-4.

CF Setup	Description
Open	Slave
Closed	Master

**Table 2-4: CF Card Setup Jumper Settings**

The CF Card Setup jumper location is shown in Figure 2-8.



**Figure 2-8: CF Card Setup Jumper Location**

### 2.5.4 Clear CMOS Jumper

<b>Jumper Label:</b>	<b>J_CMOS1</b>
<b>Jumper Type:</b>	3-pin header
<b>Jumper Settings:</b>	See Table 2-5

## AFL-W19A/W19B/17D/W15A-N270 Panel PC

**Jumper Location:** See Figure 2-9

If the AFL-W19A/W19B/17D/W15A-N270 fails to boot due to improper BIOS settings, the clear CMOS jumper clears the CMOS data and resets the system BIOS information. To do this, use the jumper cap to close the pins for a few seconds then remove the jumper clip.

If the “CMOS Settings Wrong” message is displayed during the boot up process, the fault may be corrected by pressing the F1 to enter the CMOS Setup menu. Do one of the following:

- Enter the correct CMOS setting
- Load Optimal Defaults
- Load Failsafe Defaults.

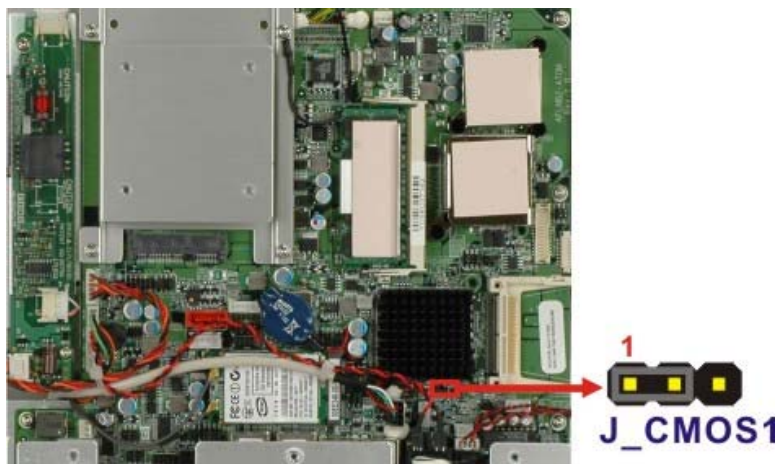
After having done one of the above, save the changes and exit the CMOS Setup menu.

The clear CMOS jumper settings are shown in Table 2-5.

Clear CMOS	Description
Short 1 - 2	Keep CMOS Setup
Short 2 - 3	Clear CMOS Setup

**Table 2-5: Clear CMOS Jumper Settings**

The location of the clear CMOS jumper is shown in Figure 2-9 below.



**Figure 2-9: Clear CMOS Jumper**



### 2.5.5 COM Port Pin 9 Select

- Jumper Label:** JP6 and JP7
- Jumper Settings:** See Table 2-6
- Jumper Type:** 6-pin header
- Jumper Location:** See Figure 2-10

Two jumpers (JP6 and JP7) configure pin 9 on COM1 and COM3 DB-9 connectors. Pin 9 on the COM1 and the COM3 DB-9 connectors can be set as the ring (RI) signal, +5 V or +12 V. The COM1 and COM3 Pin 9 Setting jumper selection options are shown in Table 2-6.

JP6	Description
Short 1-2	COM1 RI Pin use +12 V
Short 3-4	COM1 RI Pin use RI
Short 5-6	COM1 RI Pin use +5 V

**Table 2-6: COM1 Pin 9 Setting Jumper Settings**

JP7	Description
Short 1-2	COM3 RI Pin use +12 V
Short 3-4	COM3 RI Pin use RI
Short 5-6	COM3 RI Pin use +5 V

**Table 2-7: COM3 Pin 9 Setting Jumper Settings**

The COM1 and COM3 Pin 9 Setting jumper locations are shown in Figure 2-10 below.

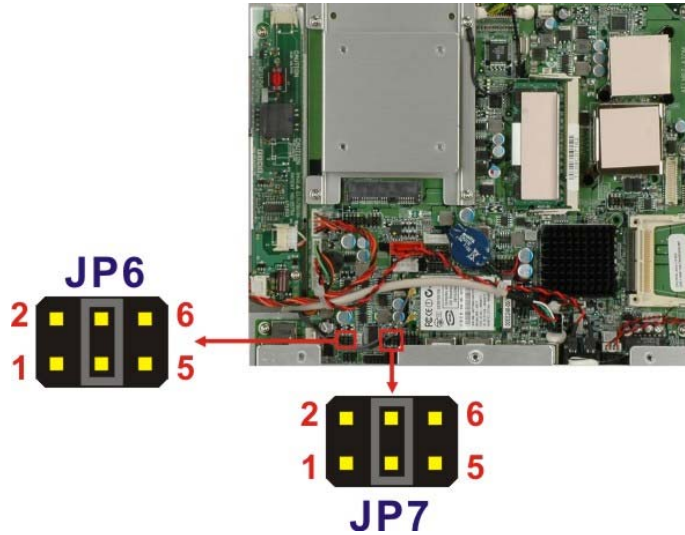


Figure 2-10: COM1 and COM3 Pin 9 Setting Jumper Locations

### 2.5.6 COM3 RX Function Select Jumper

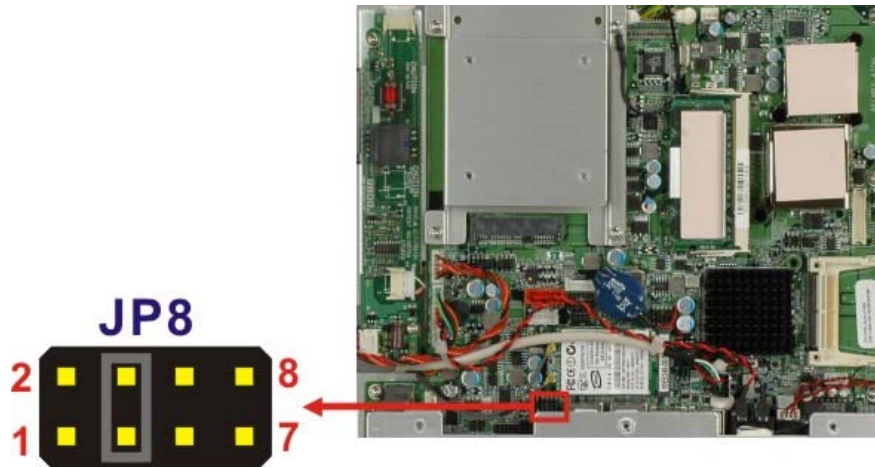
- Jumper Label:** JP8
- Jumper Type:** 8-pin header
- Jumper Settings:** See Table 2-8
- Jumper Location:** See Figure 2-11

The COM3 RX Function Select jumper sets the communication protocol used by the RX serial communications port COM3 as RS-232, RS-422 or RS-485. The COM3 RX Function Select jumper settings are shown in Table 2-8.

COM3 RX Function Select	Description
Short 3-4	RS-232
Short 1-2, 5-6	RS-422
Short 1-2, 7-8	RS-485

Table 2-8: COM3 RX Function Select Jumper Settings

The COM3 RX Function Select jumper location is shown in Figure 2-11.



**Figure 2-11: COM3 RX Function Select Jumper Location**

### 2.5.7 COM3 TX Function Select Jumper

- Jumper Label:** JP11
- Jumper Type:** 6-pin header
- Jumper Settings:** See Table 2-9
- Jumper Location:** See Figure 2-12

The COM3 TX Function Select jumper configures the TX pin on COM3 serial port connector as RS-422 as an RS-485. The COM3 TX Function Select jumper selection options are shown in Table 2-9.

COM3 TX Function Select	Description
Short 1 – 3	RS-422
Short 2 – 4	RS-422
Short 3 – 5	RS-485
Short 4 – 6	RS-485

**Table 2-9: COM3 TX Function Select Jumper Settings**

The COM3 TX Function Select jumper location is shown in Figure 2-12 below.

## AFL-W19A/W19B/17D/W15A-N270 Panel PC

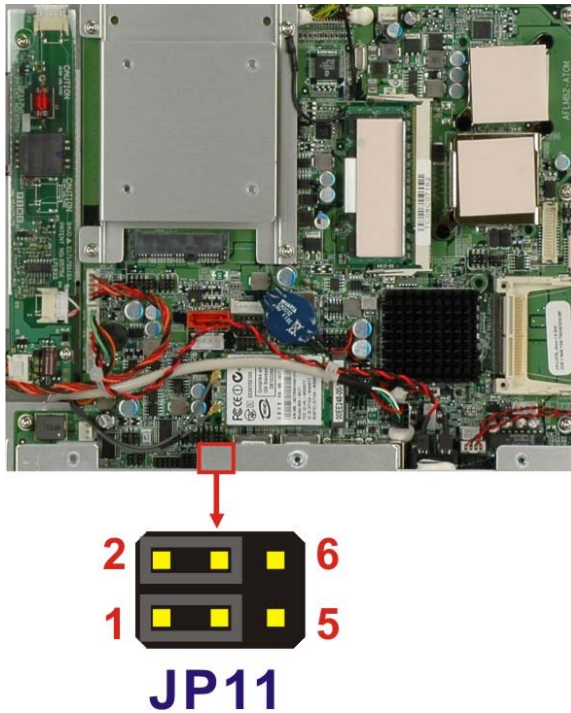


Figure 2-12: COM3 TX Function Select Jumper Pinout Locations

### 2.5.8 COM3 RS-232/422/485 Serial Port Select Jumper

<b>Jumper Label:</b>	<b>JP10</b>
<b>Jumper Type:</b>	12-pin header (four 3-pin headers combined)
<b>Jumper Settings:</b>	See Table 2-10
<b>Jumper Location:</b>	See Figure 2-13

The COM3 RS-232/422/485 Serial Port Select jumper sets the communication protocol used by the second serial communications port (COM3) as RS-232, RS-422 or RS-485. The COM3 RS-232/422/485 Serial Port Select settings are shown in Table 2-10.

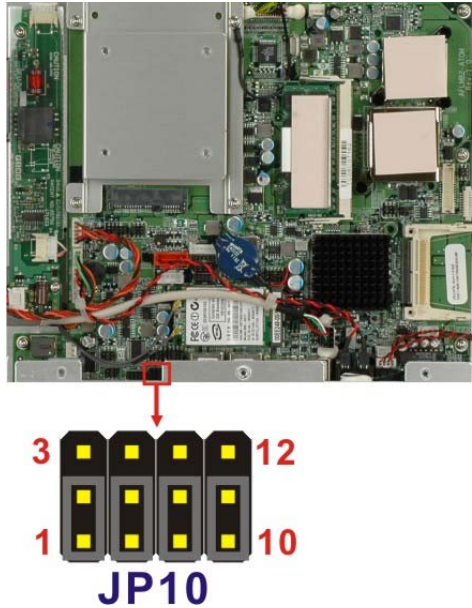
RS-232/485 Select	Description
Short 1-2	RS-232
Short 4-5	RS-232
Short 7-8	RS-232
Short 10-11	RS-232
Short 2-3	RS-422/485



Short 5-6	RS-422/485
Short 8-9	RS-422/485
Short 11-12	RS-422/485

**Table 2-10: COM3 RS-232/422/485 Serial Port Select Jumper Settings**

The COM3 RS-232/422/485 Serial Port Select jumper location is shown in Figure 2-13.



**Figure 2-13: COM3 RS-232/422/485 Serial Port Select Jumper Location**

### 2.5.8.1 COM3 RS-422 and RS-485 Pinouts

The pinouts for RS-422 and RS-485 operation of external serial port COM 3 are detailed below.

COM 3	RS-422 Description
Pin 1	TX-
Pin 2	TX+
Pin 6	RX-
Pin 7	RX+

**Table 2-11: RS-422 Pinouts**



## AFL-W19A/W19B/17D/W15A-N270 Panel PC

COM 3	RS-485 Description
Pin 1	Data-
Pin 2	Data+

**Table 2-12: RS-485 Pinouts**

## 2.6 Mounting the System



### **WARNING!**

The panel PC is very heavy. Two or more people should mount the panel PC. Dropping or bumping the panel PC during installation can cause serious or irreparable damage to the panel PC.

The following installation options are available:

2.6.1 Monitor Stand .....	27
2.6.2 Cabinet and Rack .....	28
2.6.3 Arm Mounting .....	30
2.6.4 Wall Mounting .....	32
2.6.5 Panel Mounting (AFL-17D-N270 / AFL-W19A-N270 / AFL-W19B-N270) .....	35
2.6.6 Panel Mounting (AFL-W15A-N270).....	37

The installation instructions are included with the stand, arm or mount.

### **2.6.1 Monitor Stand**

The monitor stand allows the monitor to be used on a desk or table. For instructions on installing the monitor stand, please refer to the manual that came with the stand.



Figure 2-14: Monitor Stand

## 2.6.2 Cabinet and Rack

The AFL-W19A/W19B/17D/W15A-N270 flat panel PC can be installed into a cabinet or rack. The installation procedures are similar to the panel mounting installation. To do this, please follow the steps below:

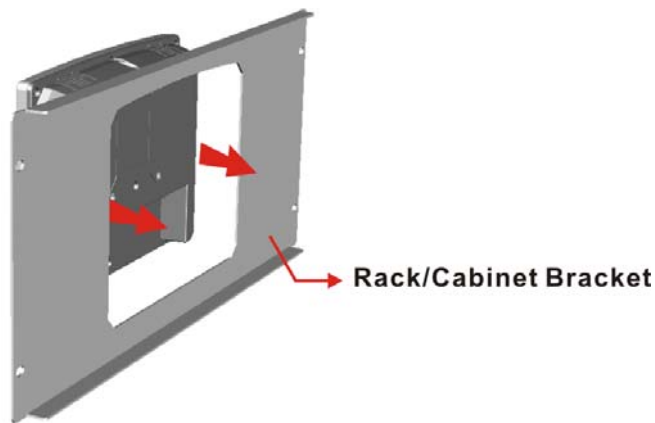


### NOTE:

When purchasing the cabinet/rack installation bracket, make sure it is compatible with both the AFL-W19A/W19B/17D/W15A-N270 flat panel PC and the rack/cabinet into which the AFL-W19A/W19B/17D/W15A-N270 is installed.

- 
- Step 1:** Slide the rear of the AFL-W19A/W19B/17D/W15A-N270 flat panel PC through the rack/cabinet bracket until the aluminum frame is flush against the front of the bracket (**Figure 2-15**).

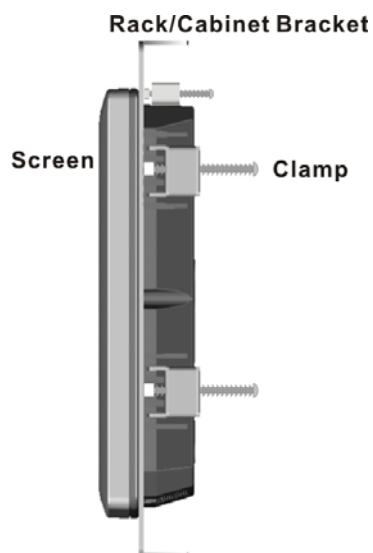
## AFL-W19A/W19B/17D/W15A-N270 Panel PC



**Figure 2-15: The Rack/Cabinet Bracket**

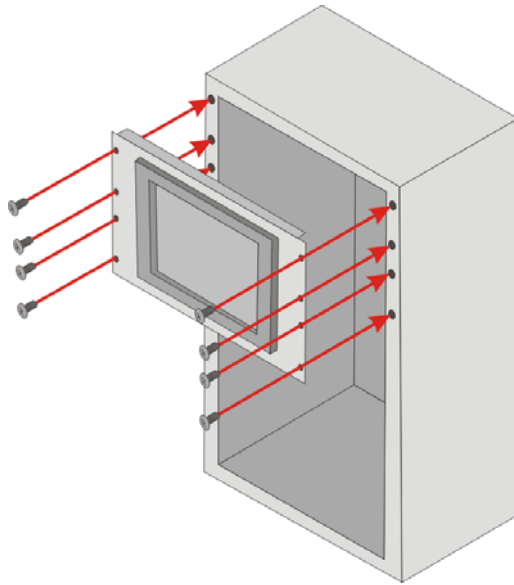
**Step 2:** Insert the rack mounting clamps into the pre-formed holes along the edges of the flat panel PC, behind the ABS/PC plastic frame.

**Step 3:** Tighten the screws that pass through the rack mounting clamps until the plastic caps at the front of all the screws are firmly secured to the bracket (**Figure 2-16**).



**Figure 2-16: Secure the Rack/Cabinet Bracket**

**Step 4:** Slide the flat panel PC with the attached rack/cabinet bracket into a rack or cabinet (**Figure 2-17**).



**Figure 2-17: Install into a Rack/Cabinet**

**Step 5:** Once the flat panel PC with the attached rack/cabinet bracket has been properly inserted into the rack or cabinet, secure the front of the rack/cabinet bracket to the front of the rack or cabinet (**Figure 2-17**).

### 2.6.3 Arm Mounting

The AFL-W19A/W19B/17D/W15A-N270 can be installed on any arm that supports the standard VESA mounting interface. An example wall arm is shown below.



**Figure 2-18: Wall Arm**



## AFL-W19A/W19B/17D/W15A-N270 Panel PC

To install the AFL-W19A/W19B/17D/W15A-N270 on the arm, follow the directions below.



### NOTE:

Make sure the arm supports standard VESA mounting. The AFL-W19A/W19B/17D/W15A-N270 uses a VESA mounting to attach to the arm.

- Step 1:** The arm is purchased separately. Follow the instructions in the arm's user manual to securely attach the arm to the wall.
- Step 2:** Once the mounting arm has been firmly attached to the surface, lift the flat panel PC onto the interface pad of the mounting arm.
- Step 3:** Align the retention screw holes on the mounting arm interface with those in the flat panel PC. The arm mount retention screw holes are shown in Figure 2-19.

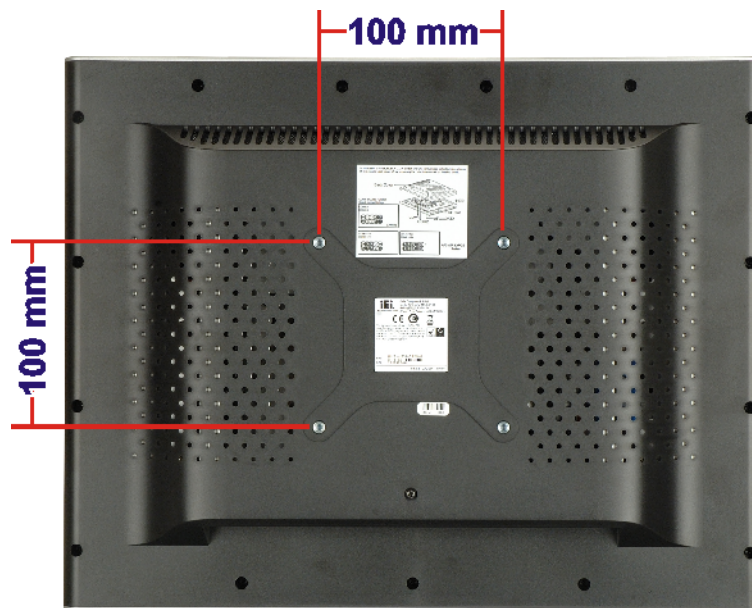


Figure 2-19: Arm Mounting Retention Screw Holes

- Step 4:** Secure the flat panel PC to the interface pad by inserting four retention screws through the bottom of the mounting arm interface pad and into the flat panel PC.



### 2.6.4 Wall Mounting

To mount the flat panel PC onto the wall, please follow the steps below.

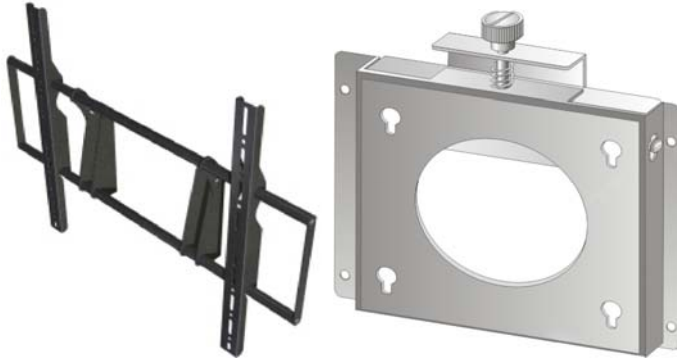
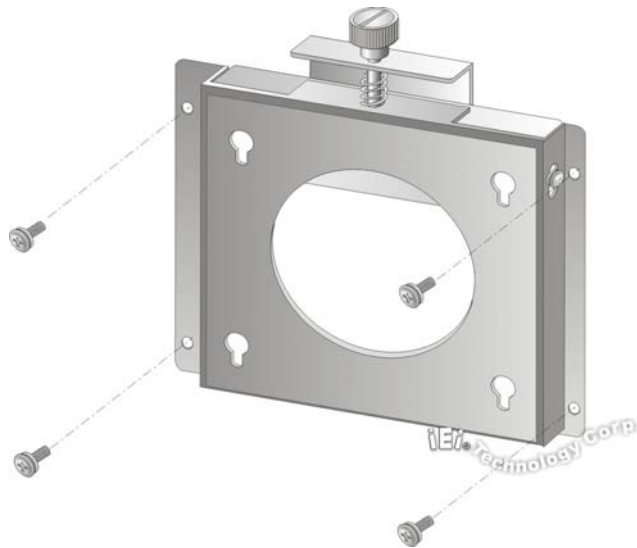


Figure 2-20: Wall Mount

- Step 1:** Select the location on the wall for the wall-mounting bracket.
- Step 2:** Carefully mark the locations of the four brackets screw holes on the wall.
- Step 3:** Drill four pilot holes at the marked locations on the wall for the bracket retention screws.
- Step 4:** Align the wall-mounting bracket screw holes with the pilot holes.
- Step 5:** Secure the mounting-bracket to the wall by inserting the retention screws into the four pilot holes and tightening them (Figure 2-21).

## AFL-W19A/W19B/17D/W15A-N270 Panel PC



**Figure 2-21: Wall-mounting Bracket**

- Step 6:** Insert the four monitor mounting screws provided in the wall mounting kit into the four screw holes on the rear panel of the flat panel PC and tighten until the screw shank is secured against the rear panel (Figure 2-22).
- Step 7:** Align the mounting screws on the monitor rear panel with the mounting holes on the bracket.
- Step 8:** Carefully insert the screws through the holes and gently pull the monitor downwards until the monitor rests securely in the slotted holes (Figure 2-22). Ensure that all four of the mounting screws fit snugly into their respective slotted holes.

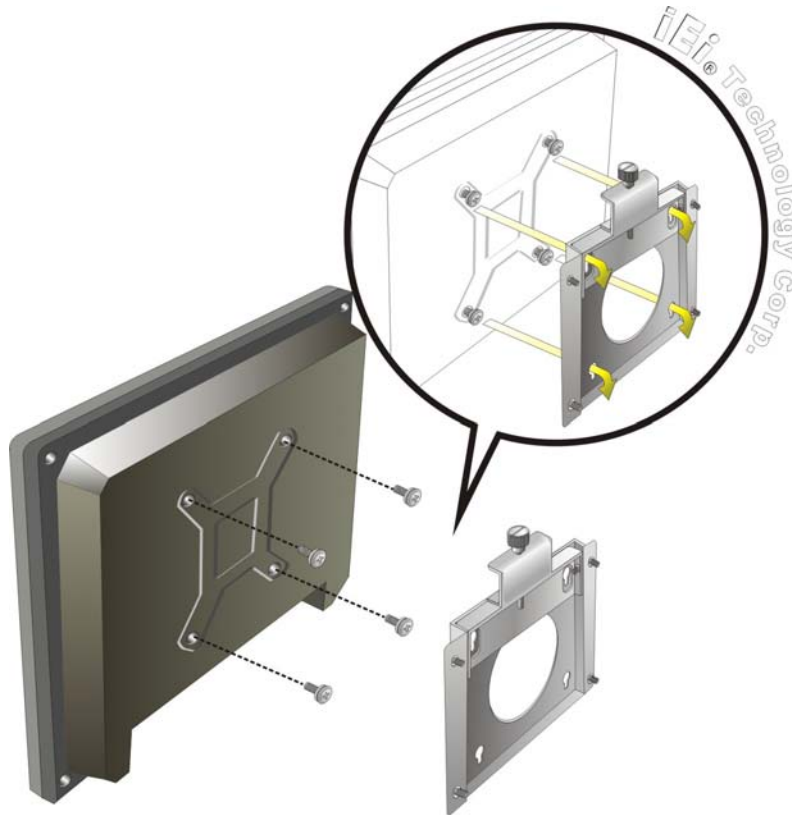


Figure 2-22: Chassis Support Screws



**NOTE:**

In the diagram below the bracket is already installed on the wall.

- Step 9:** Secure the panel PC by fastening the retention screw of the wall-mounting bracket. (Figure 2-23).

## AFL-W19A/W19B/17D/W15A-N270 Panel PC

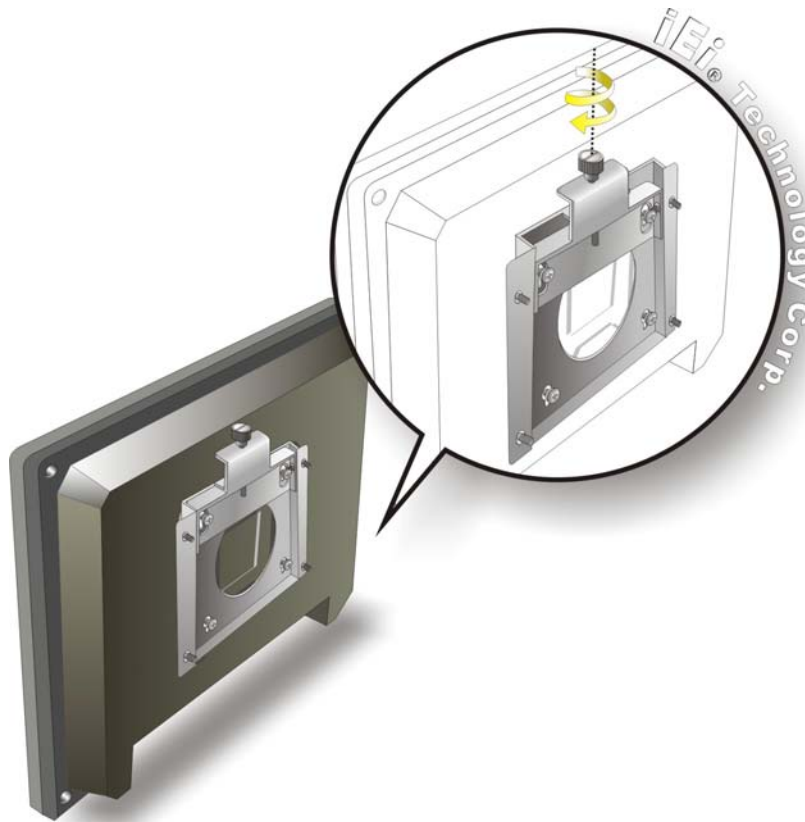


Figure 2-23: Secure the Panel PC

### 2.6.5 Panel Mounting (AFL-17D-N270 / AFL-W19A-N270 / AFL-W19B-N270)

To mount the panel PC into a panel, please follow the steps below.

- Step 1:** Select the position on the panel to mount the flat panel PC.
- Step 2:** Cut out a section corresponding to the size shown below. The size must be smaller than the outer edge. Recommended cutout sizes are shown below.



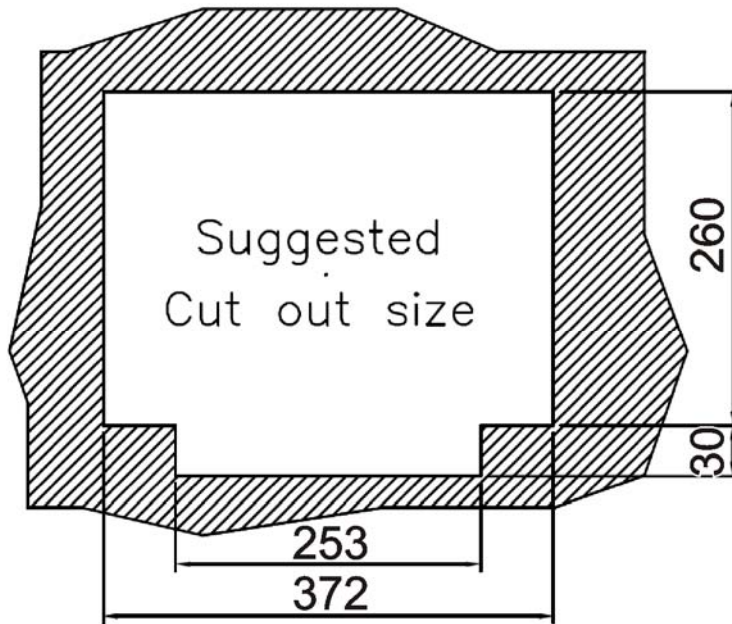


Figure 2-24: AFL-17D-N270 Cutout

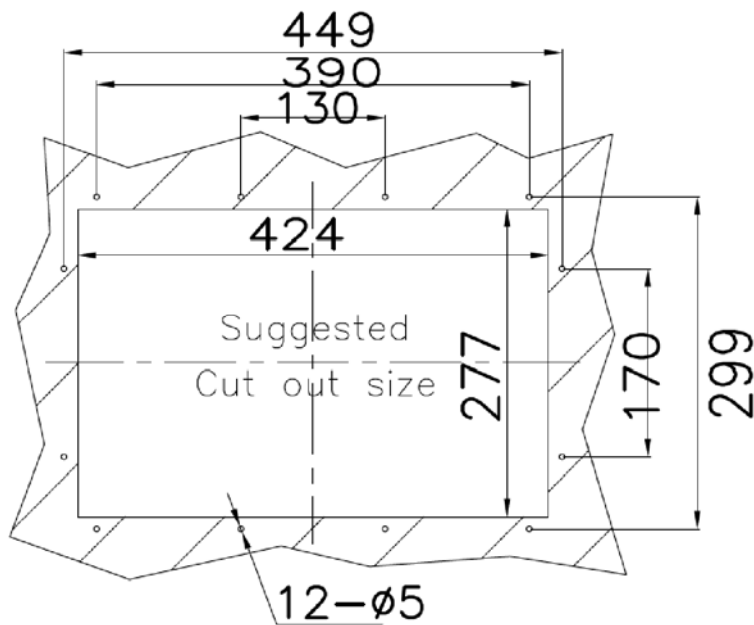


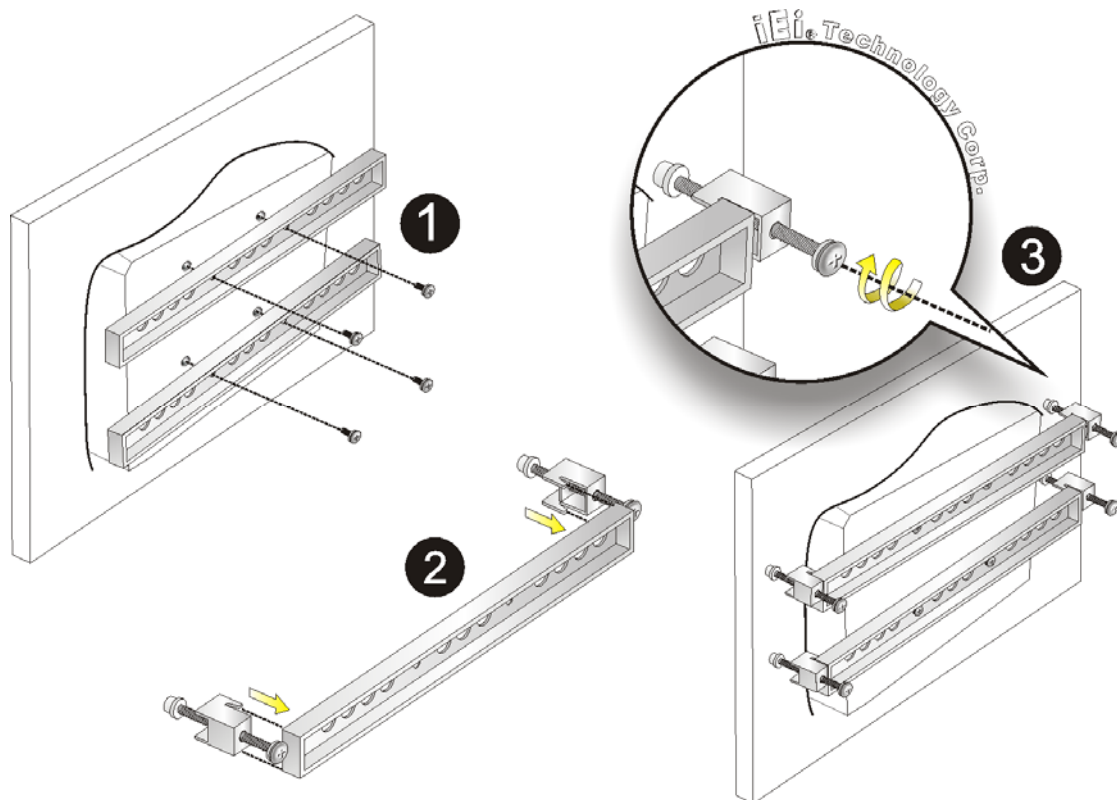
Figure 2-25: AFL-W19A-N270 and AFL-W19B-N270 Cutout

**Step 3:** Slide the flat panel PC through the hole until the aluminum frame is flush against the panel.

## AFL-W19A/W19B/17D/W15A-N270 Panel PC

**Step 4:** Insert the panel mounting clamps into the pre-formed holes along the edges of the chassis, behind the aluminum frame.

**Step 5:** Tighten the screws that pass through the panel mounting clamps until the plastic caps at the front of all the screws are firmly secured to the panel (Figure 2-26).



**Figure 2-26: Tighten the Panel Mounting Clamp Screws**

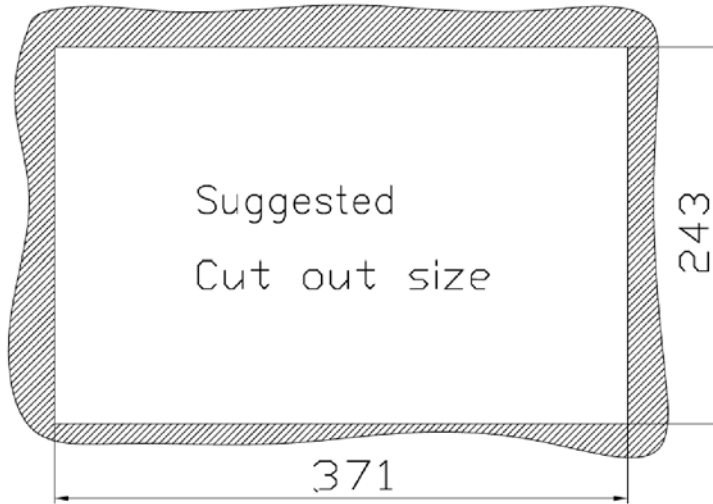
### 2.6.6 Panel Mounting (AFL-W15A-N270)

To mount the AFL-W19A/W19B/17D/W15A-N270 flat panel PC into a panel, please follow the steps below.

**Step 1:** Select the position on the panel to mount the flat panel PC.

**Step 2:** Cut out a section from the panel that corresponds to the rear panel dimensions of the flat panel PC. Take care that the panel section that is cut out is smaller than the overall size of the metal frame that surrounds the flat panel PC but just

large enough for the rear panel of the flat panel PC to fit through. Recommended cutout size shown below.



**Figure 2-27: AFL-W15A-N270 Cutout**

- Step 3:** Slide the flat panel PC through the hole until the aluminum frame is flush against the panel.
- Step 4:** Insert the panel mounting clamps into the pre-formed holes along the edges of the chassis, behind the aluminum frame.
- Step 5:** Tighten the screws that pass through the panel mounting clamps until the plastic caps at the front of all the screws are firmly secured to the panel.

## AFL-W19A/W19B/17D/W15A-N270 Panel PC

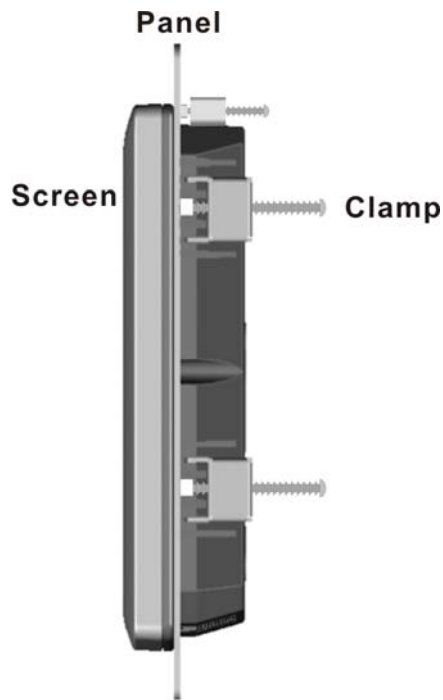


Figure 2-28: Tighten the Panel Mounting Clamp Screws

## 2.7 Bottom Panel Connectors

The bottom panel connectors extend the capabilities of the panel PC but are not essential for operation (except power).

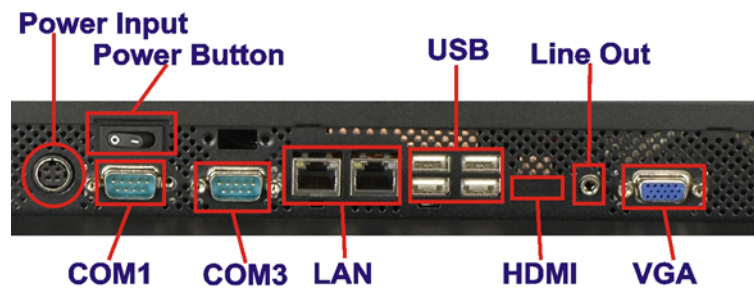


Figure 2-29: Connectors

### 2.7.1 LAN Connection

The RJ-45 connectors enable connection to an external network. To connect a LAN cable with an RJ-45 connector, please follow the instructions below.



- Step 1:** Locate the RJ-45 connector on the bottom panel of the AFL-W19A/W19B/17D/W15A-N270.
- Step 2:** **Align the connectors.** Align the RJ-45 connector on the LAN cable with one of the RJ-45 connectors on the bottom panel of the AFL-W19A/W19B/17D/W15A-N270. See Figure 2-30..

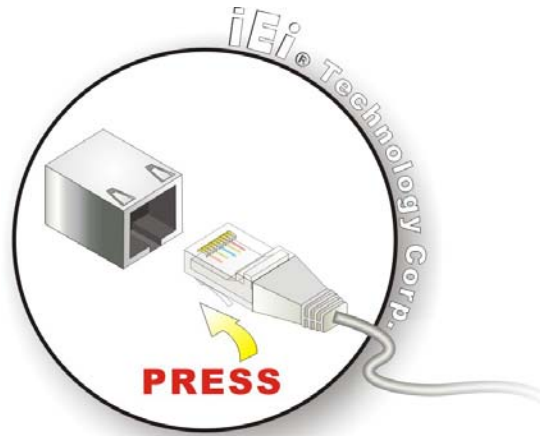


Figure 2-30: LAN Connection

- Step 3:** **Insert the LAN cable RJ-45 connector.** Once aligned, gently insert the LAN cable RJ-45 connector into the onboard RJ-45 port.

### 2.7.2 Serial Device Connection

The serial device connectors are for connecting serial devices to the AFL-W19A/W19B/17D/W15A-N270. Follow the steps below to connect a serial device to the AFL-W19A/W19B/17D/W15A-N270 panel PC.

- Step 1:** **Locate the DB-9 connector.** The location of the DB-9 connector is shown in Chapter 2.
- Step 2:** **Insert the serial connector.** Insert the DB-9 connector of a serial device into the DB-9 connector on the bottom panel. See Figure 2-31.

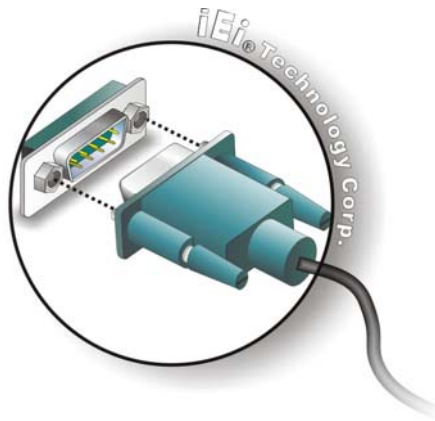


Figure 2-31: Serial Device Connector

**Step 3: Secure the connector.** Secure the serial device connector to the external interface by tightening the two retention screws on either side of the connector.

### 2.7.3 USB Device Connection

To connect USB devices to the AFL-W19A/W19B/17D/W15A-N270, please follow the instructions below.

**Step 1: Located the USB connectors.** The locations of the USB connectors are shown in **Chapter 2**.

**Step 2: Align the connectors.** Align the USB device connector with one of the connectors on the bottom panel. See Figure 2-32.

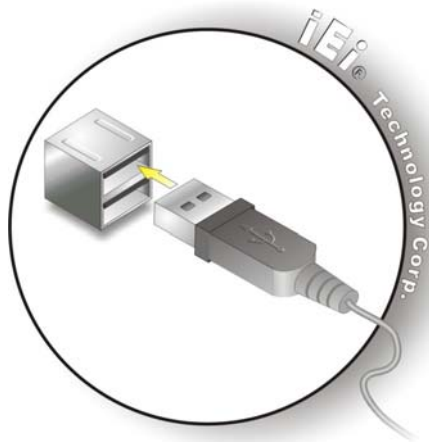


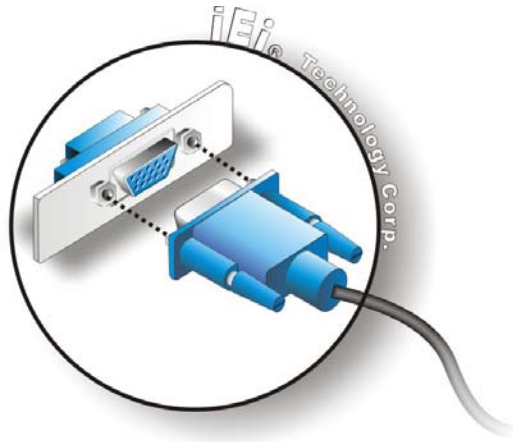
Figure 2-32: USB Device Connection

**Step 3:** **Insert the device connector.** Once aligned, gently insert the USB device connector into the onboard connector.

#### 2.7.4 VGA Monitor Connection

The VGA output can be connected to an external VGA monitor. To connect the VGA monitor to the AFL-W19A/W19B/17D/W15A-N270, please follow the instructions below.

- Step 1:** **Locate the female DB-15 connector.** The location of the female DB-15 connector is shown in **Chapter 3**.
- Step 2:** **Align the VGA connector.** Align the male DB-15 connector on the VGA screen cable with the female DB-15 connector on the external peripheral interface.
- Step 3:** **Insert the VGA connector** Once the connectors are properly aligned with the insert the male connector from the VGA screen into the female connector on the AFL-W19A/W19B/17D/W15A-N270. See Figure 2-33.



**Figure 2-33: VGA Connector**

**Step 4:** **Secure the connector.** Secure the DB-15 VGA connector from the VGA monitor to the external interface by tightening the two retention screws on either side of the connector.

## 2.8 Power Connection

The power cable connects the panel PC to the power supply. The power cable is required for operation of the panel PC.

**Step 1:** Connect one end to the panel PC.

**Step 2:** Connect the other end to the included power supply

## 2.9 Driver Installation



### NOTE:

The content of the CD may vary throughout the life cycle of the product and is subject to change without prior notice. Visit the IEI website or contact technical support for the latest updates.

The following drivers can be installed on the system, each driver is in its own directory on the driver CD:





- Chipset driver
- Graphics driver
- LAN driver
- Audio driver
- Touch panel driver
- Keypad utility driver
- Wireless LAN card driver
- Bluetooth driver

Chapter

3

# BIOS Setup

---

## 3.1 Introduction

The BIOS is programmed onto the BIOS chip. The BIOS setup program allows changes to certain system settings. This chapter outlines the options that can be changed.

### 3.1.1 Starting Setup

The AMI BIOS is activated when the computer is turned on. The setup program can be activated in one of two ways.

1. Press the **DELETE** key as soon as the system is turned on or
2. Press the **DELETE** key when the “**Press Del to enter SETUP**” message appears on the screen.

If the message disappears before the **DELETE** key is pressed, restart the computer and try again.

### 3.1.2 Using Setup

Use the arrow keys to highlight items, press **ENTER** to select, use the PageUp and PageDown keys to change entries, press **F1** for help and press **Esc** to quit. Navigation keys are shown in.

Key	Function
Up arrow	Move to previous item
Down arrow	Move to next item
Left arrow	Move to the item on the left hand side
Right arrow	Move to the item on the right hand side
Esc key	Main Menu – Quit and not save changes into CMOS Status Page Setup Menu and Option Page Setup Menu -- Exit current page and return to Main Menu
Page Up key	Increase the numeric value or make changes
Page Dn key	Decrease the numeric value or make changes
F1 key	General help, only for Status Page Setup Menu and Option Page Setup Menu

## AFL-W19A/W19B/17D/W15A-N270 Panel PC

Key	Function
F2 /F3 key	Change color from total 16 colors. F2 to select color forward.
F10 key	Save all the CMOS changes, only for Main Menu

**Table 3-1: BIOS Navigation Keys**

### 3.1.3 Getting Help

When **F1** is pressed a small help window describing the appropriate keys to use and the possible selections for the highlighted item appears. To exit the Help Window press **Esc** or the **F1** key again.

### 3.1.4 Unable to Reboot After Configuration Changes

If the computer cannot boot after changes to the system configuration is made, CMOS defaults. Use the jumper described in **Chapter 2**.

### 3.1.5 BIOS Menu Bar

The **menu bar** on top of the BIOS screen has the following main items:

- Main – Changes the basic system configuration.
- Advanced – Changes the advanced system settings.
- PCIPnP – Changes the advanced PCI/PnP Settings
- Boot – Changes the system boot configuration.
- Security – Sets User and Supervisor Passwords.
- Chipset – Changes the chipset settings.
- Exit – Selects exit options and loads default settings

The following sections completely describe the configuration options found in the menu items at the top of the BIOS screen and listed above.



## 3.2 Main

The **Main** BIOS menu (BIOS Menu 1) appears when the **BIOS Setup** program is entered. The **Main** menu gives an overview of the basic system information.

```

BIOS SETUP UTILITY
Main  Advanced  PCIPNP  Boot  Security  Chipset  Power  Exit
-----
System Overview
-----
AMIBIOS
Version      :08.00.15
Build Date   :12/08/08
ID:          :H436MR11

Processor
Genuine Intel® CPU N270 @ 1.60 GHz
Speed        :1600 MHz
Count        :1

System Memory
Size         :1016MB

System Time           [14:20:27]
System Time           [Tue 03/17/2009]

v02.61 ©Copyright 1985-2006, American Megatrends, Inc.

Use [ENTER], [TAB] or [SHIFT-TAB] to select a field.
Use [+] or [-] to configure system time.

←→ Select Screen
↑↓ Select Item
Enter Go to SubScreen
F1  General Help
F10 Save and Exit
ESC Exit
    
```

### BIOS Menu 1: Main

#### → System Overview

The **System Overview** lists a brief summary of different system components. The fields in **System Overview** cannot be changed. The items shown in the system overview include:

- AMI BIOS: Displays auto-detected BIOS information
  - **Version:** Current BIOS version
  - **Build Date:** Date the current BIOS version was made
  - **ID:** Installed BIOS ID
- Processor: Displays auto-detected CPU specifications
  - **Type:** Names the currently installed processor
  - **Speed:** Lists the processor speed
  - **Count:** The number of CPUs on the motherboard
- System Memory: Displays the auto-detected system memory.
  - **Size:** Lists memory size

## AFL-W19A/W19B/17D/W15A-N270 Panel PC

The System Overview field also has two user configurable fields:

→ **System Time [xx:xx:xx]**

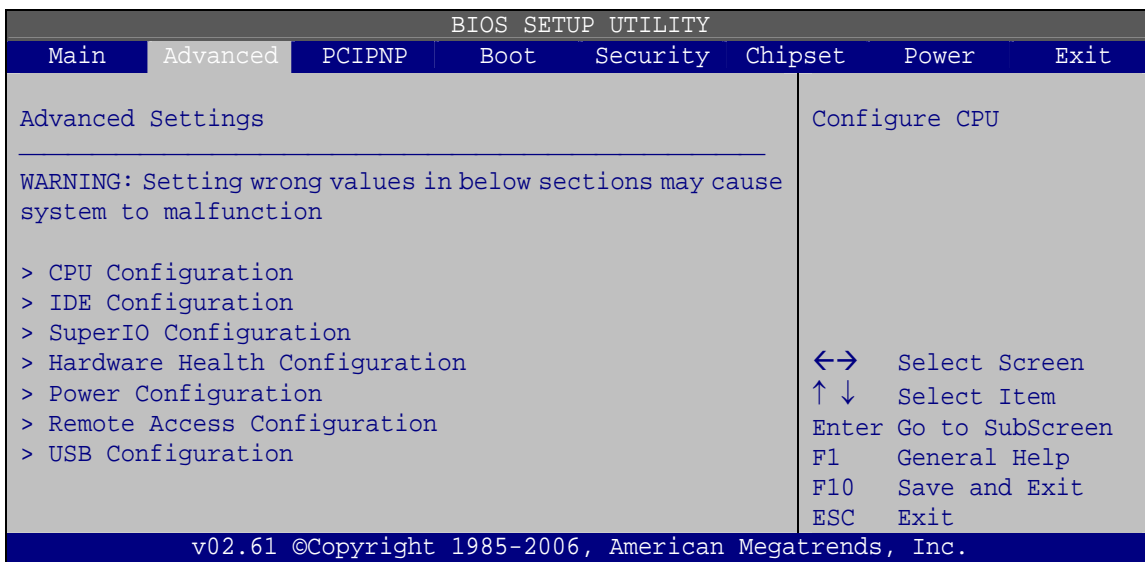
Use the **System Time** option to set the system time. Manually enter the hours, minutes and seconds.

→ **System Date [xx/xx/xx]**

Use the **System Date** option to set the system date. Manually enter the day, month and year.

### 3.3 Advanced

Use the **Advanced** menu (BIOS Menu 2) to configure the CPU and peripheral devices



**BIOS Menu 2: Advanced**

### 3.3.1 CPU Configuration

Use the **CPU Configuration** menu (BIOS Menu 3) to view detailed CPU specifications and configure the CPU.

```

BIOS SETUP UTILITY
Main  Advanced  PCIPNP  Boot  Security  Chipset  Power  Exit
-----
Configure Advanced CPU Settings
Module Version:3F.12
-----
Manufacturer   :Intel@
Genuine Intel@ CPU N270 @ 1.60 GHz
Frequency      :1.60GHz
FSB Speed      :532MHz
Cache L1       : 24KB
Cache L2       : 512KB
Ratio Actual Value:12

<=> Select Screen
↑↓ Select Item
Enter Go to SubScreen
F1 General Help
F10 Save and Exit
ESC Exit

v02.61 ©Copyright 1985-2006, American Megatrends, Inc.
  
```

#### BIOS Menu 3: CPU Configuration

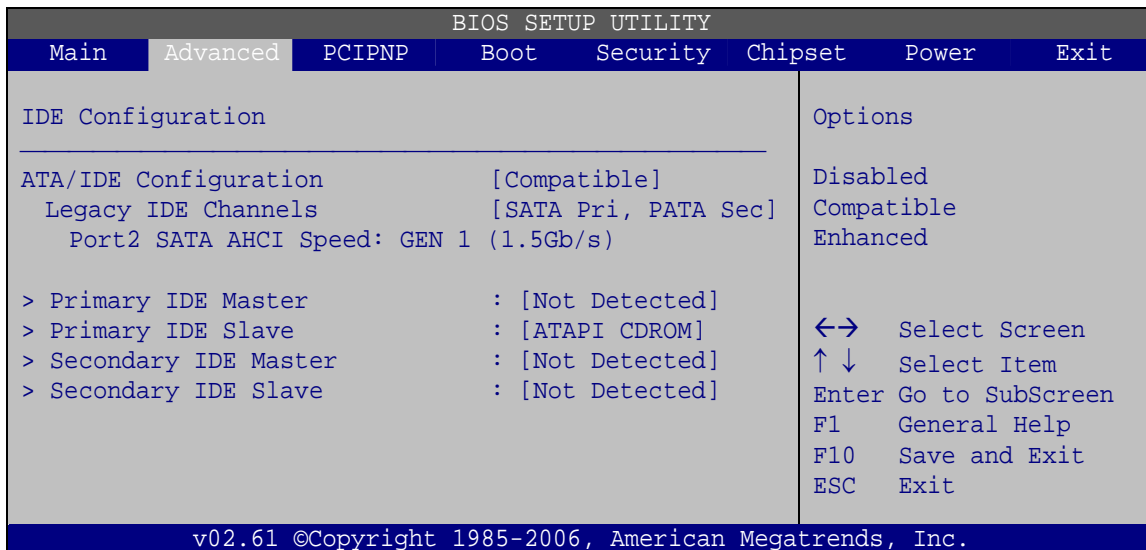
The CPU Configuration menu lists the following CPU details:

- Manufacturer: Lists the name of the CPU manufacturer
- Brand String: Lists the brand name of the CPU being used
- Frequency: Lists the CPU processing speed
- FSB Speed: Lists the FSB speed
- Cache L1: Lists the CPU L1 cache size
- Cache L2: Lists the CPU L2 cache size

## AFL-W19A/W19B/17D/W15A-N270 Panel PC

### 3.3.2 IDE Configuration

Use the **IDE Configuration** menu (BIOS Menu 4) to change and/or set the configuration of the IDE devices installed in the system.



#### BIOS Menu 4: IDE Configuration

##### → ATA/IDE Configuration [Compatible]

Use the **ATA/IDE Configuration** option to configure the ATA/IDE controller.

- **Disabled** Disables the on-board ATA/IDE controller.
- **Compatible** **DEFAULT** The SATA drive is configured on an IDE channel.
- **Enhanced** Both IDE and SATA channels are configured separately.

##### → Legacy IDE Channels [SATA Pri, PATA Sec]

Use the **Legacy IDE Channels** option to configure SATA devices as normal IDE devices.

- **SATA Only** Only SATA drives are on the IDE channels. IDE drives are disabled
- **SATA Pri, PATA Sec** **DEFAULT** SATA drives are configured on the Primary IDE channel. IDE drives on the Secondary IDE channel



➔ **PATA Only**                      Only the IDE drives are enabled. SATA drives are disabled

➔ **Configure SATA as [IDE]**

Use the **Configure SATA as** option to configure SATA devices as normal IDE devices.

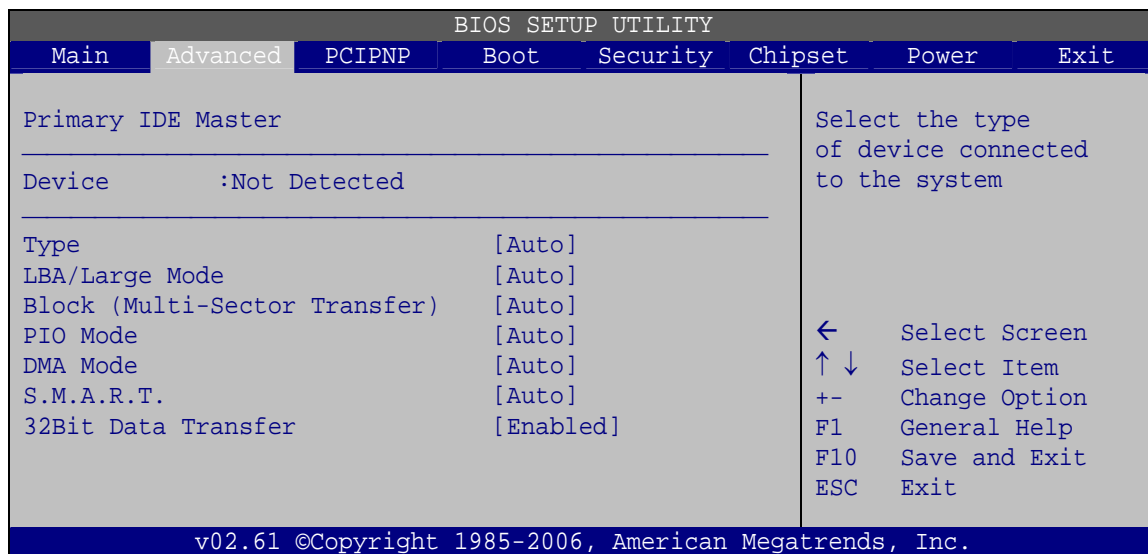
➔ **IDE    DEFAULT**    Configures SATA devices as normal IDE device.

➔ **RAID**                      Used when a RAID setup is installed

➔ **AHCI**                      Enables advanced SATA drive features

### 3.3.2.1 IDE Master, IDE Slave

Use the **IDE Master** and **IDE Slave** configuration menu to view both primary and secondary IDE device details and configure the IDE devices connected to the system.



**BIOS Menu 5: IDE Master and IDE Slave Configuration**

➔ **Auto-Detected Drive Parameters**

The “grayed-out” items in the left frame are IDE disk drive parameters automatically detected from the firmware of the selected IDE disk drive. The drive parameters are listed as follows:

- **Device:** Lists the device type (e.g. hard disk, CD-ROM etc.)

## AFL-W19A/W19B/17D/W15A-N270 Panel PC

- **Type:** Indicates the type of devices a user can manually select
- **Vendor:** Lists the device manufacturer
- **Size:** List the storage capacity of the device.
- **LBA Mode:** Indicates whether the LBA (Logical Block Addressing) is a method of addressing data on a disk drive is supported or not.
- **Block Mode:** Block mode boosts IDE drive performance by increasing the amount of data transferred. Only 512 bytes of data can be transferred per interrupt if block mode is not used. Block mode allows transfers of up to 64 KB per interrupt.
- **PIO Mode:** Indicates the PIO mode of the installed device.
- **Async DMA:** Indicates the highest Asynchronous DMA Mode that is supported.
- **Ultra DMA:** Indicates the highest Synchronous DMA Mode that is supported.
- **S.M.A.R.T.:** Indicates whether or not the Self-Monitoring Analysis and Reporting Technology protocol is supported.
- **32Bit Data Transfer:** Enables 32-bit data transfer.

### → **Type [Auto]**

Use the **Type** BIOS option select the type of device the AMIBIOS attempts to boot from after the Power-On Self-Test (POST) is complete.

- **Not Installed**                      BIOS is prevented from searching for an IDE disk drive on the specified channel.
- **Auto**                      **DEFAULT**      The BIOS auto detects the IDE disk drive type attached to the specified channel. This setting should be used if an IDE hard disk drive is attached to the specified channel.
- **CD/DVD**                      The CD/DVD option specifies that an IDE CD-ROM drive is attached to the specified IDE channel. The BIOS does not attempt to search for other types of IDE disk drives on the specified channel.

→ **ARMD** This option specifies an ATAPI Removable Media Device. These include, but are not limited to:  
 ZIP  
 LS-120

→ **LBA/Large Mode [Auto]**

Use the **LBA/Large Mode** option to disable or enable BIOS to auto detects LBA (Logical Block Addressing). LBA is a method of addressing data on a disk drive. In LBA mode, the maximum drive capacity is 137 GB.

→ **Disabled** BIOS is prevented from using the LBA mode control on the specified channel.

→ **Auto** **DEFAULT** BIOS auto detects the LBA mode control on the specified channel.

→ **Block (Multi Sector Transfer) [Auto]**

Use the **Block (Multi Sector Transfer)** to disable or enable BIOS to auto detect if the device supports multi-sector transfers.

→ **Disabled** BIOS is prevented from using Multi-Sector Transfer on the specified channel. The data to and from the device occurs one sector at a time.

→ **Auto** **DEFAULT** BIOS auto detects Multi-Sector Transfer support on the drive on the specified channel. If supported the data transfer to and from the device occurs multiple sectors at a time.

→ **PIO Mode [Auto]**

Use the **PIO Mode** option to select the IDE PIO (Programmable I/O) mode program timing cycles between the IDE drive and the programmable IDE controller. As the PIO mode increases, the cycle time decreases.

## AFL-W19A/W19B/17D/W15A-N270 Panel PC

- **Auto**    **DEFAULT**    BIOS auto detects the PIO mode. Use this value if the IDE disk drive support cannot be determined.
- **0**                      PIO mode 0 selected with a maximum transfer rate of 3.3 MB/s
- **1**                      PIO mode 1 selected with a maximum transfer rate of 5.2 MB/s
- **2**                      PIO mode 2 selected with a maximum transfer rate of 8.3 MB/s
- **3**                      PIO mode 3 selected with a maximum transfer rate of 11.1 MB/s
- **4**                      PIO mode 4 selected with a maximum transfer rate of 16.6 MB/s  
(This setting generally works with all hard disk drives manufactured after 1999. For other disk drives, such as IDE CD-ROM drives, check the specifications of the drive.)

### → **DMA Mode [Auto]**

Use the **DMA Mode** BIOS selection to adjust the DMA mode options.

- **Auto**            **DEFAULT**    BIOS auto detects the DMA mode. Use this value if the IDE disk drive support cannot be determined.
- **SWDMA0**            Single Word DMA mode 0 selected with a maximum data transfer rate of 2.1 MB/s
- **SWDMA1**            Single Word DMA mode 1 selected with a maximum data transfer rate of 4.2 MB/s
- **SWDMA2**            Single Word DMA mode 2 selected with a maximum data transfer rate of 8.3 MB/s
- **MWDMA0**            Multi Word DMA mode 0 selected with a maximum data transfer rate of 4.2 MB/s
- **MWDMA1**            Multi Word DMA mode 1 selected with a maximum data transfer rate of 13.3 MB/s
- **MWDMA2**            Multi Word DMA mode 2 selected with a maximum data transfer rate of 16.6 MB/s
- **UDMA0**              Ultra DMA mode 0 selected with a maximum data transfer rate of 16.6 MB/s



- **UDMA1** Ultra DMA mode 1 selected with a maximum data transfer rate of 25 MB/s
- **UDMA2** Ultra DMA mode 2 selected with a maximum data transfer rate of 33.3 MB/s
- **UDMA3** Ultra DMA mode 3 selected with a maximum data transfer rate of 44 MB/s (To use this mode, it is required that an 80-conductor ATA cable is used.)
- **UDMA4** Ultra DMA mode 4 selected with a maximum data transfer rate of 66.6 MB/s (To use this mode, it is required that an 80-conductor ATA cable is used.)
- **UDMA5** Ultra DMA mode 5 selected with a maximum data transfer rate of 99.9 MB/s (To use this mode, it is required that an 80-conductor ATA cable is used.)

→ **S.M.A.R.T [Auto]**

Use the **S.M.A.R.T** option to auto-detect, disable or enable Self-Monitoring Analysis and Reporting Technology (SMART) on the drive on the specified channel. **S.M.A.R.T** predicts impending drive failures. The **S.M.A.R.T** BIOS option enables or disables this function.

- **Auto**      **DEFAULT**      BIOS auto detects HDD SMART support.
- **Disabled**      Prevents BIOS from using the HDD SMART feature.
- **Enabled**      Allows BIOS to use the HDD SMART feature

→ **32Bit Data Transfer [Enabled]**

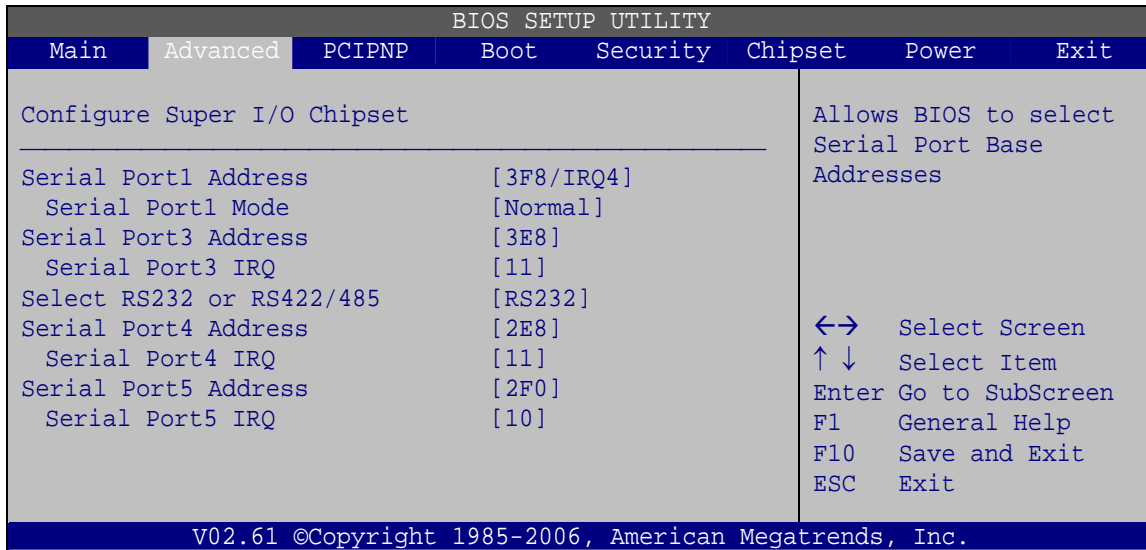
Use the **32Bit Data Transfer** BIOS option to enables or disable 32-bit data transfers.

- **Disabled**      Prevents the BIOS from using 32-bit data transfers.
- **Enabled**      **DEFAULT**      Allows BIOS to use 32-bit data transfers on supported hard disk drives.

## AFL-W19A/W19B/17D/W15A-N270 Panel PC

### 3.3.3 Super IO Configuration

Use the **Super IO Configuration** menu (BIOS Menu 6) to set or change the configurations for the FDD controllers, parallel ports and serial ports.



#### BIOS Menu 6: Super IO Configuration

##### → Serial Port1 Address [3F8/IRQ4]

Selects the serial port base address.

- **Disabled**                      No base address
- **3F8/IRQ4**    **DEFAULT**    I/O address 3F8 and interrupt address IRQ4
- **3E8/IRQ4**                      I/O address 3E8 and interrupt address IRQ4
- **2E8/IRQ3**                      I/O address 2E8 and interrupt address IRQ3

##### → Serial Port1 Mode [Normal]

Selects the mode for the serial port.

- **Normal**            **DEFAULT**    Normal mode
- **IrDA**                              IrDA mode
- **ASK IR**                            ASKIR mode

→ **Serial Port3 Address [3E8]**

Selects the serial port base address.

- **Disabled**                      No base address
- **3E8**                      **DEFAULT**      I/O address 3E8
- **2E8**                      I/O address 2E8
- **2F0**                      I/O address 2F0
- **2E0**                      I/O address 2E0

→ **Serial Port3 IRQ [11]**

Selects the serial port interrupt address.

- **10**                              IRQ address 10
- **11**                      **DEFAULT**      IRQ address 11

→ **Select RS232 or RS422/RS485 [RS/232]**

Select the communication method for Serial Port 3.

- **RS232**                      **DEFAULT**      Serial Port 2 signaling mode is RS-232
- **RS485**                      Serial Port 2 signaling mode is RS-485
- **RS422**                      Serial Port 2 signaling mode is RS-422

→ **Serial Port4 Address [2E8]**

Selects the serial port base address.

- **Disabled**                      No base address
- **2E8**                      **DEFAULT**      I/O address 2E8

→ **Serial Port4 IRQ [11]**

Use the **Serial Port4 IRQ** option to select the interrupt address for serial port 4.

## AFL-W19A/W19B/17D/W15A-N270 Panel PC

→ 11      DEFAULT      IRQ address 11

### → Serial Port5 Address [2F0]

Selects the serial port base address.

→ Disabled                  No base address

→ 2F0              DEFAULT      I/O address 2F0

### → Serial Port5 IRQ [10]

Use the **Serial Port5 IRQ** option to select the interrupt address for serial port 5.

→ 10              DEFAULT      IRQ address 10

### 3.3.4 Hardware Health Configuration

The **Hardware Health Configuration** menu (BIOS Menu 7) shows the operating temperature, fan speeds and system voltages.

BIOS SETUP UTILITY		
Main	Advanced	Exit
Hardware Health Event Monitoring		
<hr/>		
CPU_FAN1 Mode Setting		[Automatic Mode]
CPU Temp. Limit of OFF		[000]
CPU Temp. Limit of Start		[020]
CPU_FAN1 Start PWM		[070]
Slope PWM 1		[0.5 PWM]
SYS_FAN1 Mode Setting		[Automatic Mode]
PWM Temp. Limit of OFF		[000]
PWM Temp. Limit of Start		[020]
SYS_FAN1 Start PWM		[070]
Slope PWM 2		[0.5 PWM]
<hr/>		
CPU Temperature		:68°C/154°F
System Temperature		:59°C/138°F
CPU Fan		:N/A
SYS Fan 1 Speed		:N/A
CPU Core		:1.056 V
+1.05V		:1.040 V
+3.30V		:3.264 V
+5.00V		:4.865 V
+12.0V		:11.904 V
+1.50V		:1.472 V
+1.80V		:1.792 V
5VSB		4.919 V
VBAT		3.184 V
		←→ Select Screen
		↑ ↓ Select Item
		Enter Go to SubScreen
		F1 General Help
		F10 Save and Exit
		ESC Exit
v02.61 ©Copyright 1985-2006, American Megatrends, Inc.		

#### BIOS Menu 7: Hardware Health Configuration

##### → Mode Setting [Full On Mode]

Use the **Mode Setting** option to configure the second fan.

→ **Full On Mode**      **DEFAULT**      Fan is on all the time



## AFL-W19A/W19B/17D/W15A-N270 Panel PC

→ **Automatic mode**

The fan adjusts its speed using these settings:

Temp. Limit of OFF

Temp. Limit of Start

Fan Start PWM

Slope PWM 1

→ **PWM Manual mode**

The fan spins at the speed set in:

Fan PWM control

→ **Temp. Limit of OFF [000]**

---



**WARNING:**

CPU failure can result if this value is set too high

---

The fan will turn off if the temperature falls below this value.

- Minimum Value: 0°C
- Maximum Value: 127°C

→ **Temp. Limit of Start [020]**

---



**WARNING:**

CPU failure can result if this value is set too high

---

When the fan is off, it will only start when the temperature exceeds this setting.

- Minimum Value: 0°C
- Maximum Value: 127°C

→ **Start PWM [070]**

This is the initial speed of the fan when it first starts spinning.

- PWM Minimum Mode: 0

- PWM Maximum Mode: 127

→ **Slope PWM [1 PWM]**

A bigger value will increase the fan speed in big amounts. A smaller value will increase the speed more gradually.

- 0 PWM
- 1 PWM
- 2 PWM
- 4 PWM
- 8 PWM
- 16 PWM
- 32 PWM
- 64 PWM

→ **CPU Fan PWM Control [070]**

This value specifies the speed of the fan.

- PWM Minimum Mode: 0
- PWM Maximum Mode: 127

→ **Monitored Values**

The following system parameters and values are shown. The system parameters that are monitored are:

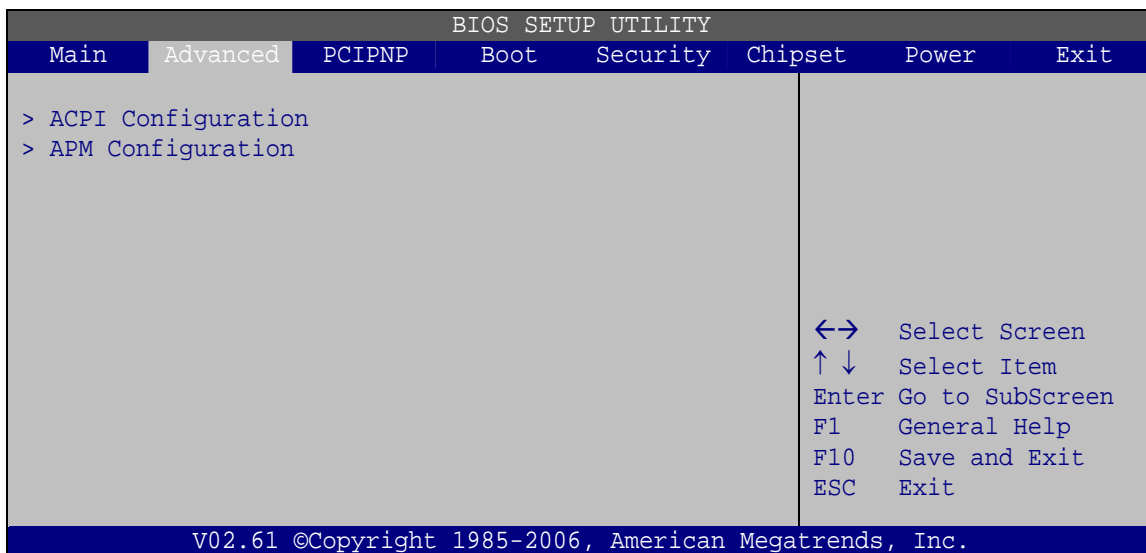
- The following system temperatures are monitored:
  - CPU temperature
  - System temperature
- The following fan speeds are monitored:
  - CPU fan speed
  - SYS fan 1 speed
  - SYS fan 2 speed
- The following core voltages are monitored:
  - CPU core
  - +1.05V

## AFL-W19A/W19B/17D/W15A-N270 Panel PC

- +3.30V
- +5.00V
- +12.0V
- +1.5V
- +1.8V

### 3.3.5 Power Configuration

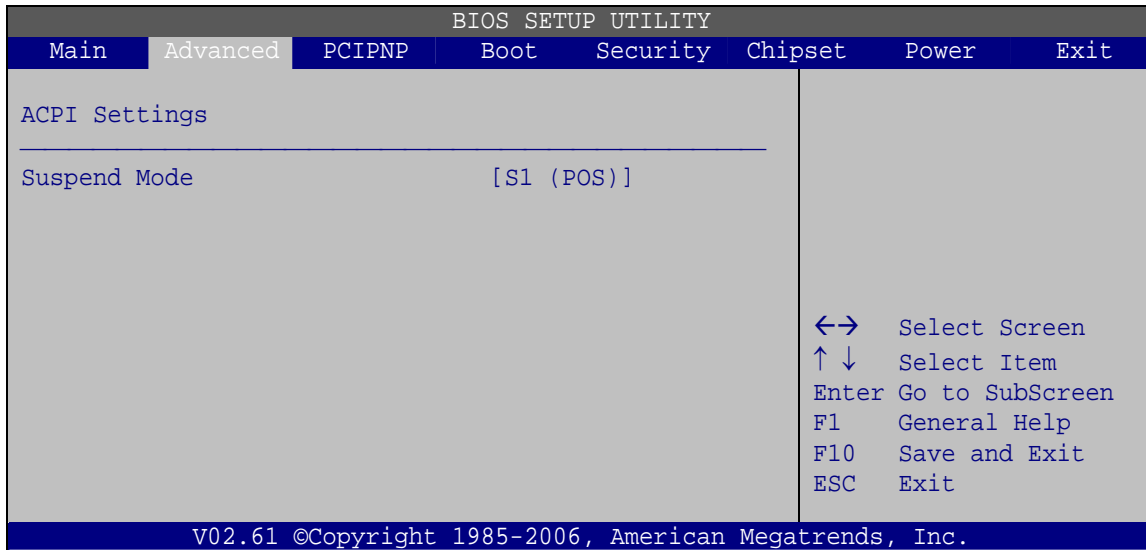
The **Power Configuration** menu (BIOS Menu 8) allows the advanced power management options to be configured.



**BIOS Menu 8: APM Configuration**

### 3.3.5.1 ACPI Settings

Use the **ACPI Settings** menu (BIOS Menu 9) to select the ACPI state when the system is suspended.



#### BIOS Menu 9: ACPI Settings

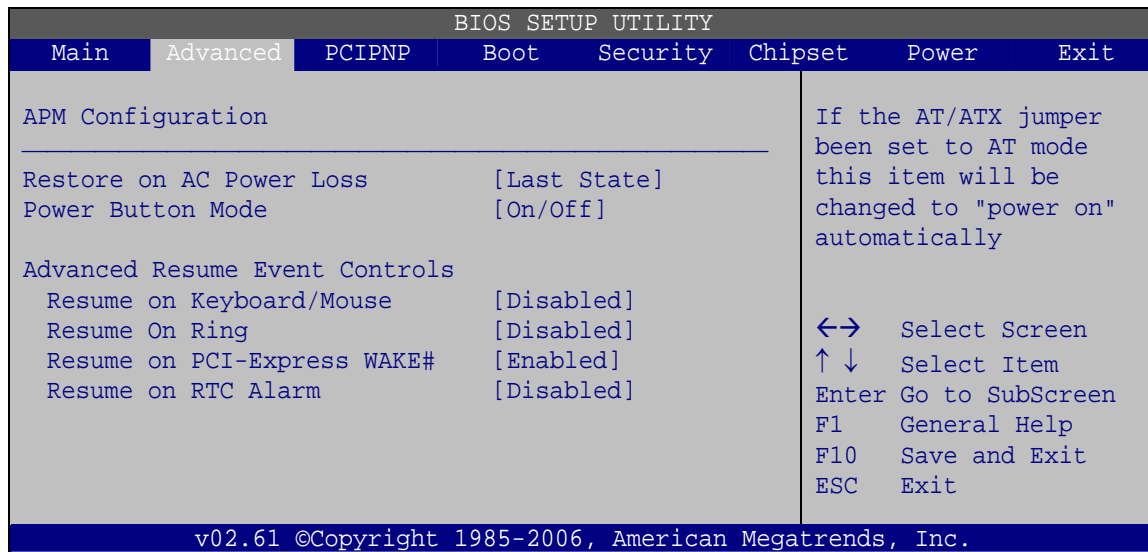
#### → Suspend Mode [S1(POS)]

Use the **Suspend Mode** option to specify the sleep state the system enters when it is not being used.

## AFL-W19A/W19B/17D/W15A-N270 Panel PC

### 3.3.5.2 APM Configuration

The **APM Configuration** menu (BIOS Menu 10) allows the advanced power management options to be configured.



#### BIOS Menu 10: APM Configuration

##### → Restore on AC Power Loss [Last State]

Use the **Restore on AC Power Loss** BIOS option to specify what state the system returns to if there is a sudden loss of power to the system.

- **Power Off**                      The system remains turned off
- **Power On    DEFAULT**        The system turns on
- **Last State**                    The system returns to its previous state. If it was on, it turns itself on. If it was off, it remains off.

##### → Power Button Mode [On/Off]

Use the **Power Button Mode** BIOS to specify how the power button functions.

- **On/Off        DEFAULT**        When the power button is pressed the system is either turned on or off



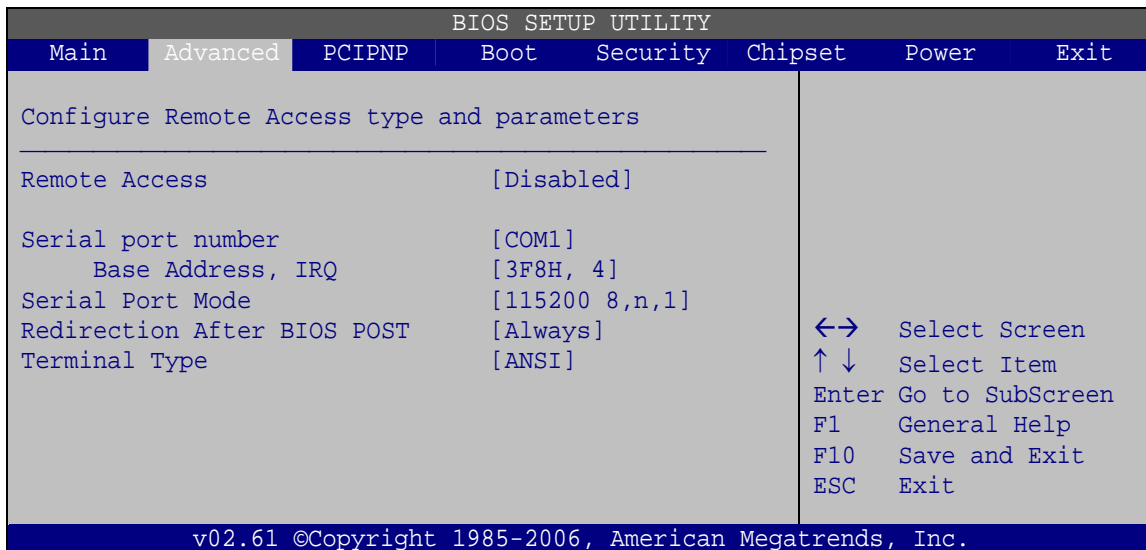


## AFL-W19A/W19B/17D/W15A-N270 Panel PC

- ➔ **Disabled**      **DEFAULT**      The real time clock (RTC) cannot generate a wake event
  
- ➔ **Enabled**                      If selected, the following appears with values that can be selected:
  - RTC Alarm Date (Days)
  - System Time
 After setting the alarm, the computer turns itself on from a suspend state when the alarm goes off.

### 3.3.6 Remote Access Configuration

Use the **Remote Access Configuration** menu (BIOS Menu 11) to configure remote access parameters. The **Remote Access Configuration** is an AMIBIOS feature and allows a remote host running a terminal program to display and configure the BIOS settings.



**BIOS Menu 11: Remote Access Configuration**

#### ➔ **Remote Access [Disabled]**

Use the **Remote Access** option to enable or disable access to the remote functionalities of the system.

- **Disabled**      **DEFAULT**      Remote access is disabled.
- **Enabled**                      Remote access configuration options shown below appear:

- Serial Port Number

- Serial Port Mode

- Flow Control

- Redirection after BIOS POST

- Terminal Type

- VT-UTF8 Combo Key Support

These configuration options are discussed below.

#### → **Serial Port Number [COM1]**

Use the **Serial Port Number** option allows to select the serial port used for remote access.

- **COM1**      **DEFAULT**      System is remotely accessed through COM1
- **COM2**                      System is remotely accessed through COM2

**NOTE:** Make sure the selected COM port is enabled through the Super I/O configuration menu.

#### → **Base Address, IRQ [2F8h,3]**

The **Base Address, IRQ** option cannot be configured and only shows the interrupt address of the serial port listed above.

#### → **Serial Port Mode [115200 8,n,1]**

Use the **Serial Port Mode** option to select baud rate through which the console redirection is made. The following configuration options are available

- 115200 8,n,1      **DEFAULT**
- 57600 8,n,1
- 38400 8,n,1

## AFL-W19A/W19B/17D/W15A-N270 Panel PC

- 19200 8,n,1
- 09600 8,n,1



### NOTE:

Identical baud rate setting must be set on the host (a management computer running a terminal software) and the slave

### → Flow Control [None]

Use the **Flow Control** option to report the flow control method for the console redirection application.

- **None**            **DEFAULT**        No control flow,
- **Hardware**                            Hardware is set as the console redirection
- **Software**                             Software is set as the console redirection

### → Redirection After BIOS POST [Always]

Use the **Redirection After BIOS POST** option to specify when console redirection should occur.

- **Disabled**                             The console is not redirected after POST
- **Boot Loader**                        Redirection is active during POST and during Boot Loader
- **Always**            **DEFAULT**        Redirection is always active (Some Oses may not work if set to Always)

### → Terminal Type [ANSI]

Use the **Terminal Type** BIOS option to specify the remote terminal type.

- **ANSI**            **DEFAULT**        The target terminal type is ANSI
- **VT100**                                The target terminal type is VT100

→ **VT-UTF8**                      The target terminal type is VT-UTF8

→ **VT-UTF8 Combo Key Support [Disabled]**

Use the **VT-UFT8 Combo Key Support** option to enable additional keys that are not provided by VT100 for the PC 101 keyboard.

The VT100 Terminal Definition is the standard convention used to configure and conduct emergency management tasks with UNIX-based servers. VT100 does not support all keys on the standard PC 101-key layout, however. The VT-UTF8 convention makes available additional keys that are not provided by VT100 for the PC 101 keyboard.

→ **Disabled**    **DEFAULT**    Disables the VT-UTF8 terminal keys

→ **Enabled**                      Enables the VT-UTF8 combination key. Support for ANSI/VT100 terminals

→ **Sredir Memory Display Delay [Disabled]**

Use the **Sredir Memory Display Delay** option to select the delay before memory information is displayed. Configuration options are listed below

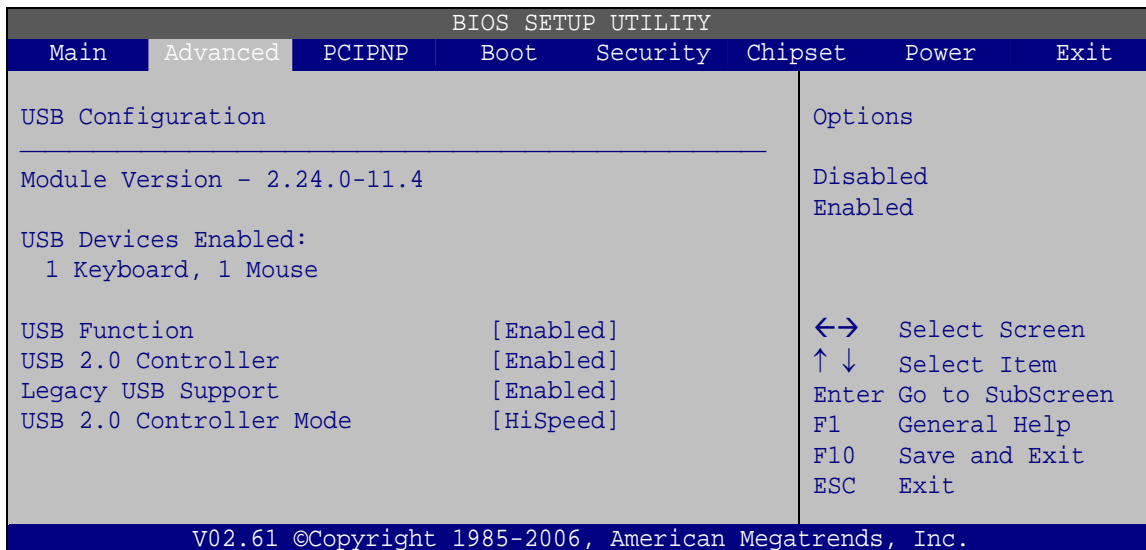
- No Delay                      **DEFAULT**
- Delay 1 sec
- Delay 2 sec
- Delay 4 sec



## AFL-W19A/W19B/17D/W15A-N270 Panel PC

### 3.3.7 USB Configuration

Use the **USB Configuration** menu (BIOS Menu 12) to read USB configuration information and configure the USB settings.



#### BIOS Menu 12: USB Configuration

##### → USB Configuration

The **USB Configuration** field shows the system USB configuration. The items listed are:

- Module Version: x.xxxxx.xxxxx

##### → USB Devices Enabled

The **USB Devices Enabled** field lists the USB devices that are enabled on the system

##### → USB Function [Enabled]

Use the **USB Function** BIOS option to enable or disable USB function support.

- **Disabled**                      USB function support disabled
- **Enabled**      **DEFAULT**      USB function support enabled

→ **USB 2.0 Controller [Enabled]**

Use the **USB 2.0 Controller** BIOS option to enable or disable the USB 2.0 controller

- **Disabled**                      USB 2.0 controller disabled
- **Enabled      DEFAULT**      USB 2.0 controller enabled

→ **Legacy USB Support [Enabled]**

Use the **Legacy USB Support** BIOS option to enable USB mouse and USB keyboard support.

Normally if this option is not enabled, any attached USB mouse or USB keyboard does not become available until a USB compatible operating system is fully booted with all USB drivers loaded. When this option is enabled, any attached USB mouse or USB keyboard can control the system even when there is no USB driver loaded onto the system.

- **Disabled**                      Legacy USB support disabled
- **Enabled      DEFAULT**      Legacy USB support enabled
- **Auto**                          Legacy USB support disabled if no USB devices are connected

→ **USB2.0 Controller Mode [HiSpeed]**

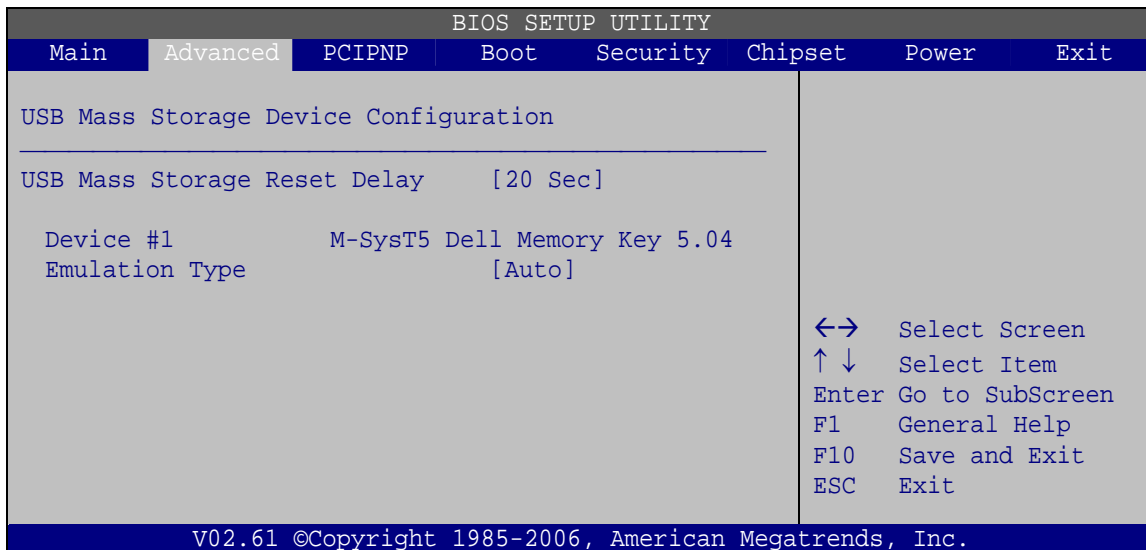
Use the **USB2.0 Controller Mode** option to set the speed of the USB2.0 controller.

- **FullSpeed**                      The controller is capable of operating at 12 Mb/s
- **HiSpeed      DEFAULT**      The controller is capable of operating at 480 Mb/s

## AFL-W19A/W19B/17D/W15A-N270 Panel PC

### 3.3.7.1 USB Mass Storage Device Configuration

Use the **USB Mass Storage Device Configuration** menu (BIOS Menu 13) to configure USB mass storage class devices.



#### BIOS Menu 13: USB Mass Storage Device Configuration

##### → USB Mass Storage Reset Delay [20 Sec]

Use the **USB Mass Storage Reset Delay** option to set the number of seconds POST waits for the USB mass storage device after the start unit command.

- **10 Sec** POST waits 10 seconds for the USB mass storage device after the start unit command.
- **20 Sec** **DEFAULT** POST waits 20 seconds for the USB mass storage device after the start unit command.
- **30 Sec** POST waits 30 seconds for the USB mass storage device after the start unit command.
- **40 Sec** POST waits 40 seconds for the USB mass storage device after the start unit command.

##### → Device ##

The **Device##** field lists the USB devices that are connected to the system.

→ **Emulation Type [Auto]**

Use the **Emulation Type** BIOS option to specify the type of emulation BIOS has to provide for the USB device.

- **Auto**                      **DEFAULT**                      BIOS auto-detects the current USB.
- **Floppy**    The USB device will be emulated as a floppy drive. The device can be either A: or B: responding to INT13h calls that return DL = 0 or DL = 1 respectively.
- **Forced FDD**                                      Allows a hard disk image to be connected as a floppy image. This option works only for drives formatted with FAT12, FAT16 or FAT32.
- **Hard Disk**    Allows the USB device to be emulated as hard disk responding to INT13h calls that return DL values of 80h or above.
- **CDROM**    Assumes the CD-ROM is formatted as bootable media. All the devices that support block sizes greater than 512 bytes can only be booted using this option.

### 3.4 PCI/PnP

Use the **PCI/PnP** menu (BIOS Menu 14) to configure advanced PCI and PnP settings.



**WARNING!**

Setting wrong values for the BIOS selections in the PCIPnP BIOS menu may cause the system to malfunction.

## AFL-W19A/W19B/17D/W15A-N270 Panel PC

BIOS SETUP UTILITY							
Main	Advanced	PCIPNP	Boot	Security	Chipset	Power	Exit
Advanced PCI/PnP Settings						Available: Specified IRQ is available to be use the PCI/PnP devices	
IRQ3						[Reserved]	
IRQ4						[Reserved]	
IRQ5						[Available]	
IRQ7						[Available]	
IRQ9						[Available]	
IRQ10						[Reserved]	
IRQ11						[Reserved]	
IRQ14						[Available]	
IRQ15						[Available]	
DMA Channel 0						[Available]	
DMA Channel 1						[Available]	
DMA Channel 3						[Available]	
DMA Channel 5						[Available]	
DMA Channel 6						[Available]	
DMA Channel 7						[Available]	
Reserved Memory Size						[Disabled]	
						←→ Select Screen ↑ ↓ Select Item Enter Go to SubScreen F1 General Help F10 Save and Exit ESC Exit	
v02.61 ©Copyright 1985-2006, American Megatrends, Inc.							

### BIOS Menu 14: PCI/PnP Configuration

#### → IRQ# [Available]

Use the **IRQ#** address to specify what IRQs can be assigned to a particular peripheral device.

- **Available**    **DEFAULT**    The specified IRQ is available to be used by PCI/PnP devices
- **Reserved**                    The specified IRQ is reserved for use by Legacy ISA devices

Available IRQ addresses are:

- IRQ3
- IRQ4
- IRQ5
- IRQ7
- IRQ9
- IRQ10



- IRQ 11
- IRQ 14
- IRQ 15

➔ **DMA Channel# [Available]**

Use the **DMA Channel#** option to assign a specific DMA channel to a particular PCI/PnP device.

- ➔ **Available**     **DEFAULT**     The specified DMA is available to be used by PCI/PnP devices
- ➔ **Reserved**                     The specified DMA is reserved for use by Legacy ISA devices

Available DMA Channels are:

- DM Channel 0
- DM Channel 1
- DM Channel 3
- DM Channel 5
- DM Channel 6
- DM Channel 7

➔ **Reserved Memory Size [Disabled]**

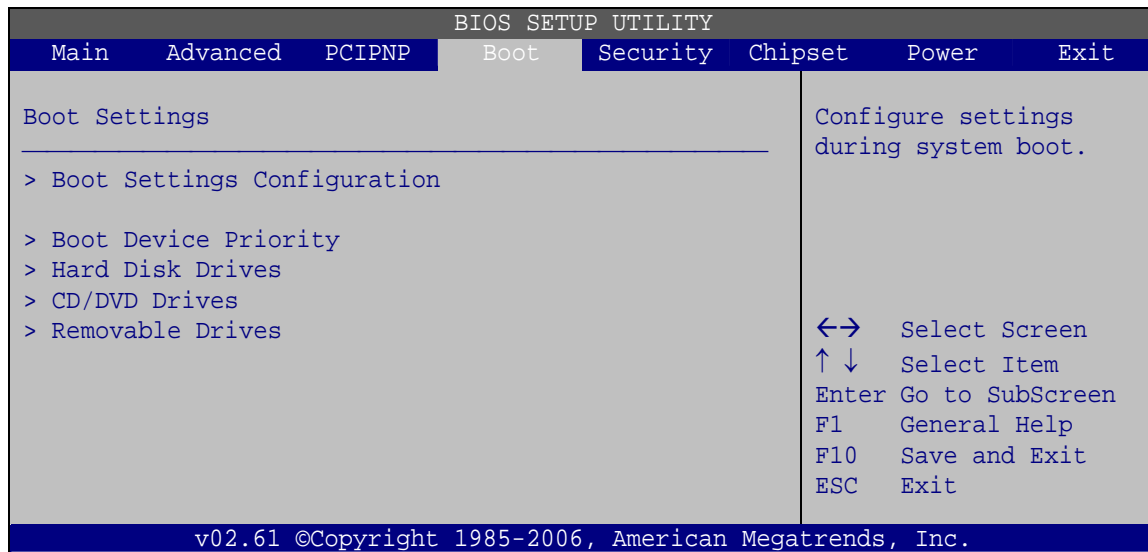
Use the **Reserved Memory Size** BIOS option to specify the amount of memory that should be reserved for legacy ISA devices.

- ➔ **Disabled**     **DEFAULT**     No memory block reserved for legacy ISA devices
- ➔ **16K**                             16 KB reserved for legacy ISA devices
- ➔ **32K**                             32 KB reserved for legacy ISA devices
- ➔ **64K**                             64 KB reserved for legacy ISA devices

## AFL-W19A/W19B/17D/W15A-N270 Panel PC

### 3.5 Boot

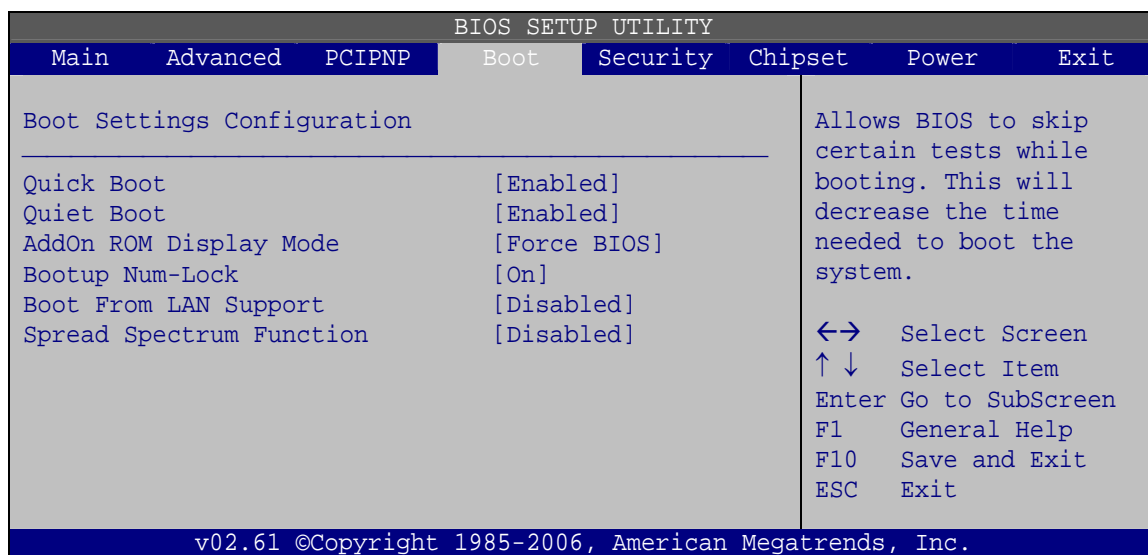
Use the **Boot** menu (BIOS Menu 15) to configure system boot options.



**BIOS Menu 15: Boot**

#### 3.5.1 Boot Settings Configuration

Use the **Boot Settings Configuration** menu (BIOS Menu 16) to configure advanced system boot options.



**BIOS Menu 16: Boot Settings Configuration**

→ **Quick Boot [Enabled]**

Use the **Quick Boot** BIOS option to make the computer speed up the boot process.

- **Disabled**                      No POST procedures are skipped
- **Enabled      DEFAULT**      Some POST procedures are skipped to decrease the system boot time

→ **Quiet Boot [Enabled]**

Use the **Quiet Boot** BIOS option to select the screen display when the system boots.

- **Disabled      DEFAULT**      Normal POST messages displayed
- **Enabled**                      OEM Logo displayed instead of POST messages

→ **AddOn ROM Display Mode [Force BIOS]**

Use the **AddOn ROM Display Mode** option to allow add-on ROM (read-only memory) messages to be displayed.

- **Force BIOS      DEFAULT**      The system forces third party BIOS to display during system boot.
- **Keep Current**                      The system displays normal information during system boot.

→ **Bootup Num-Lock [On]**

Use the **Bootup Num-Lock** BIOS option to specify if the number lock setting must be modified during boot up.

- **Off**                      Does not enable the keyboard Number Lock automatically. To use the 10-keys on the keyboard, press the Number Lock key located on the upper left-hand corner of the 10-key pad. The Number Lock LED on the keyboard lights up when the Number Lock is engaged.

## AFL-W19A/W19B/17D/W15A-N270 Panel PC

- **On**    **DEFAULT**    Allows the Number Lock on the keyboard to be enabled automatically when the computer system boots up. This allows the immediate use of the 10-key numeric keypad located on the right side of the keyboard. To confirm this, the Number Lock LED light on the keyboard is lit.

### → **Boot From LAN Support [Disabled]**

Use the **BOOT From LAN Support** option to enable the system to be booted from a remote system.

- **Disabled**    **DEFAULT**    Cannot be booted from a remote system through the LAN
- **Enabled**    **DEFAULT**    Can be booted from a remote system through the LAN

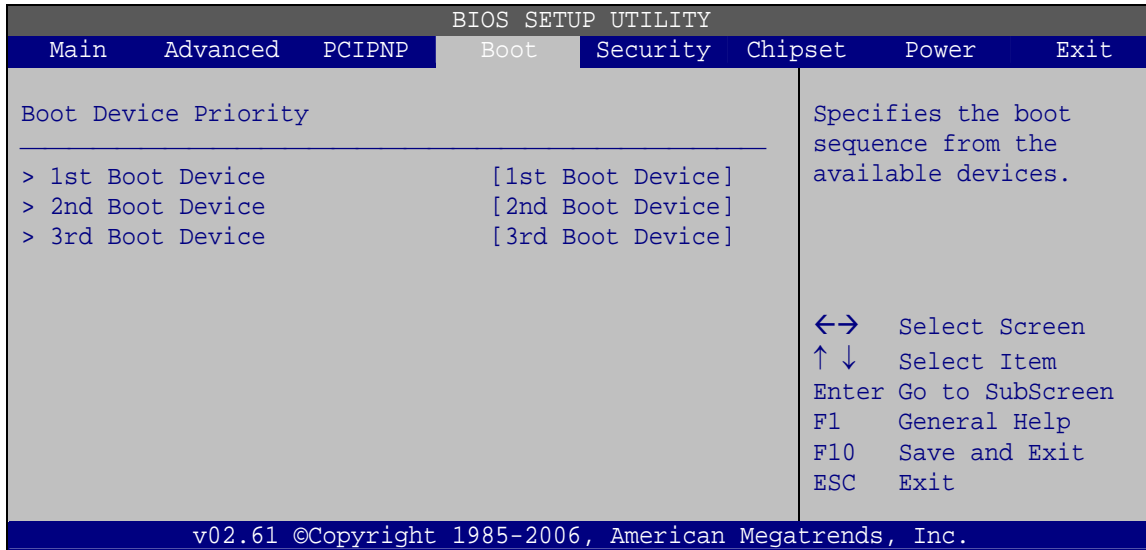
### → **Spread Spectrum Mode [Disabled]**

The **Spread Spectrum Mode** option can help to improve CPU EMI issues.

- **Disabled**    **DEFAULT**    The spread spectrum mode is disabled
- **Enabled**                                    The spread spectrum mode is enabled

### 3.5.2 Boot Device Priority

Use the **Boot Device Priority** menu (BIOS Menu 17) to specify the boot sequence from the available devices. The drive sequence also depends on the boot sequence in the individual device section.



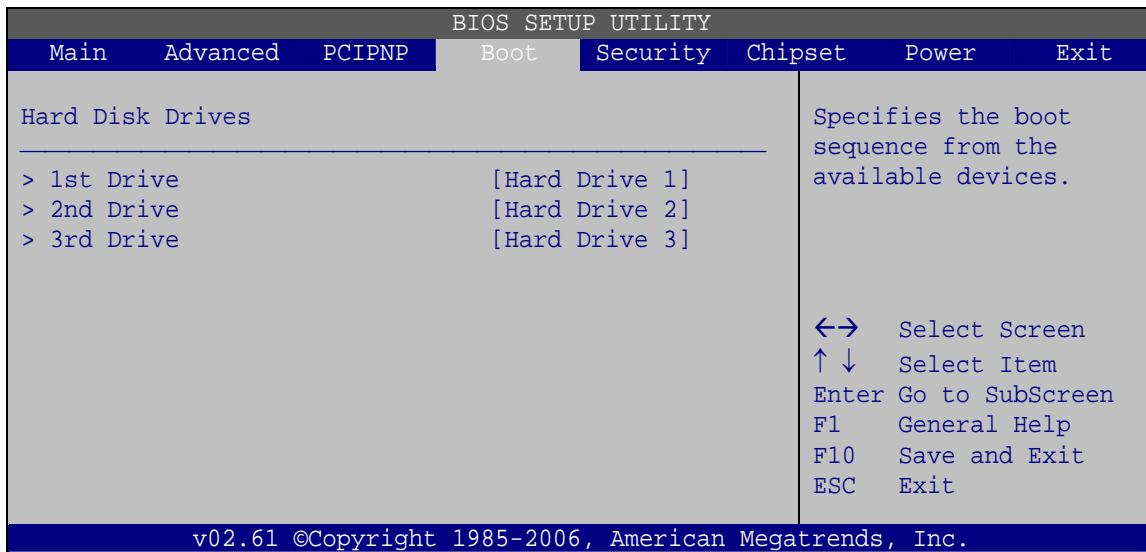
**BIOS Menu 17: Boot Device Priority Settings**



## AFL-W19A/W19B/17D/W15A-N270 Panel PC

### 3.5.3 Hard Disk Drives

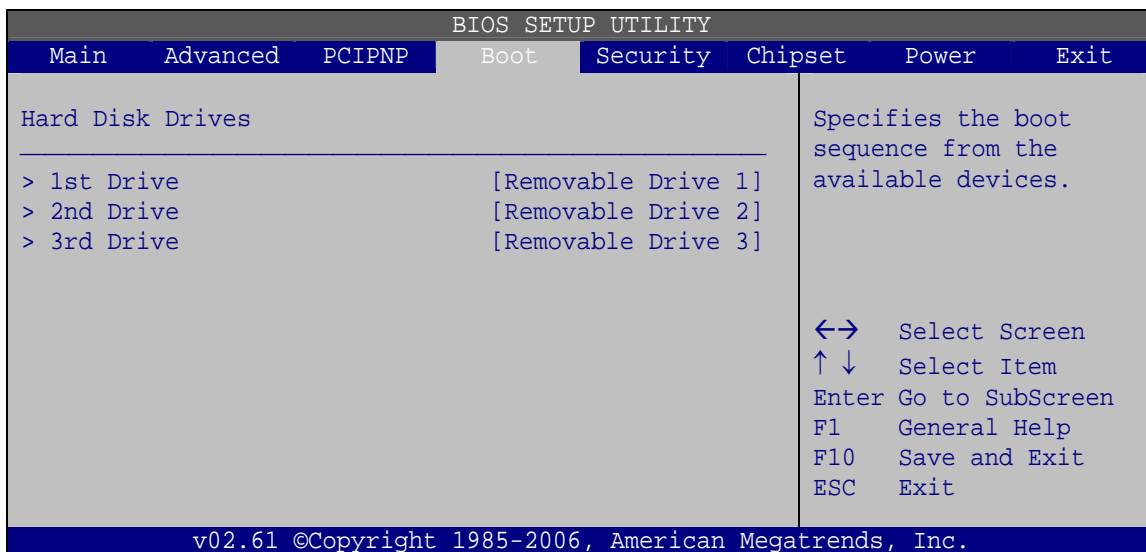
Use the **Hard Disk Drives** menu to specify the boot sequence of the available HDDs. Only installed hard drives are shown.



**BIOS Menu 18: Hard Disk Drives**

### 3.5.4 Removable Drives

Use the **Removable Drives** menu (BIOS Menu 19) to specify the boot sequence of the removable drives. Only connected drives are shown.



**BIOS Menu 19: Removable Drives**

### 3.5.5 CD/DVD Drives

Use the **CD/DVD Drives** menu to specify the boot sequence of the available CD/DVD drives. When the menu is opened, the CD drives and DVD drives connected to the system are listed as shown below:

- 1st Drive [CD/DVD: PM-(part ID)]
- 2nd Drive [HDD: PS-(part ID)]
- 3rd Drive [HDD: SM-(part ID)]
- 4th Drive [HDD: SM-(part ID)]



#### NOTE:

Only the drives connected to the system are shown. For example, if only two CDs or DVDs are connected only “**1st Drive**” and “**2nd Drive**” are listed.

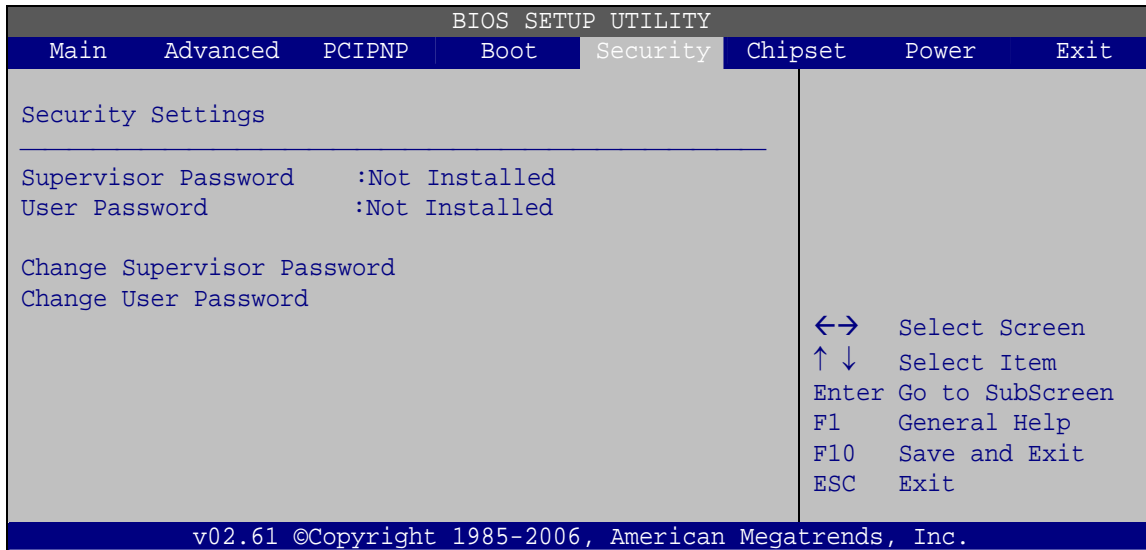
The boot sequence from the available devices is selected. If the “**1st Drive**” option is selected a list of available CD/DVD drives is shown. Select the first CD/DVD drive the system boots from. If the “**1st Drive**” is not used for booting this option may be disabled.

BIOS SETUP UTILITY							
Main	Advanced	PCIPNP	Boot	Security	Chipset	Power	Exit
Hard Disk Drives				Specifies the boot sequence from the available devices.			
> 1st Drive [CD/DVD 1]							
> 2nd Drive [CD/DVD 2]							
> 3rd Drive [CD/DVD 3]							
				←→ Select Screen ↑ ↓ Select Item Enter Go to SubScreen F1 General Help F10 Save and Exit ESC Exit			
v02.61 ©Copyright 1985-2006, American Megatrends, Inc.							

**BIOS Menu 20: CD/DVD Drives**

### 3.6 Security

Use the **Security** menu (BIOS Menu 21) to set system and user passwords.



#### BIOS Menu 21: Security

##### → Change Supervisor Password

Use the **Change Supervisor Password** to set or change a supervisor password. The default for this option is **Not Installed**. If a supervisor password must be installed, select this field and enter the password. After the password has been added, **Install** appears next to **Change Supervisor Password**.

##### → Change User Password

Use the **Change User Password** to set or change a user password. The default for this option is **Not Installed**. If a user password must be installed, select this field and enter the password. After the password has been added, **Install** appears next to **Change User Password**.

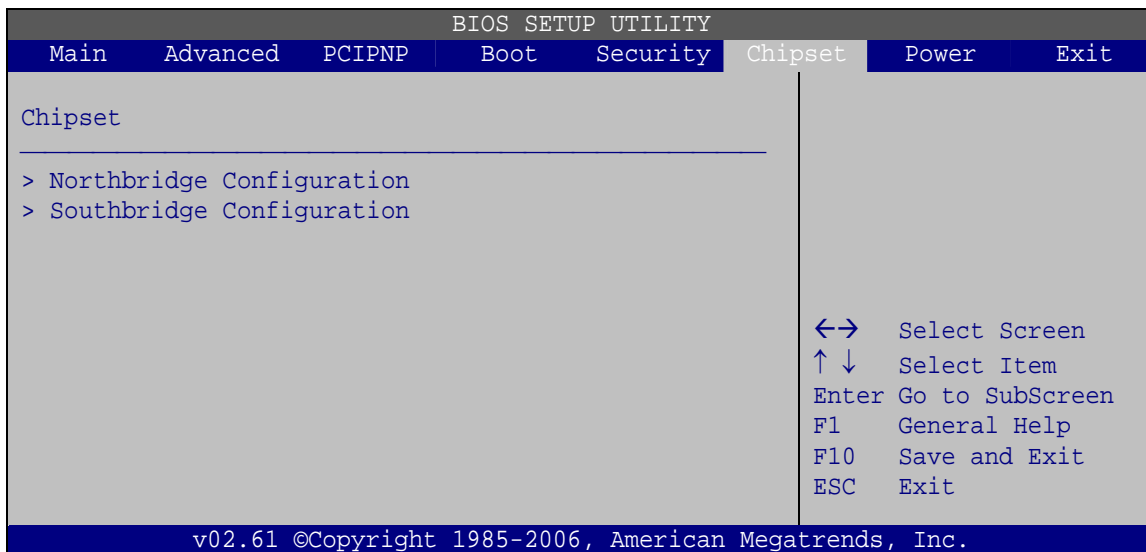
### 3.7 Chipset

Use the **Chipset** menu (BIOS Menu 22) to access the Northbridge and Southbridge configuration menus



#### WARNING!

Setting the wrong values for the Chipset BIOS selections in the Chipset BIOS menu may cause the system to malfunction.

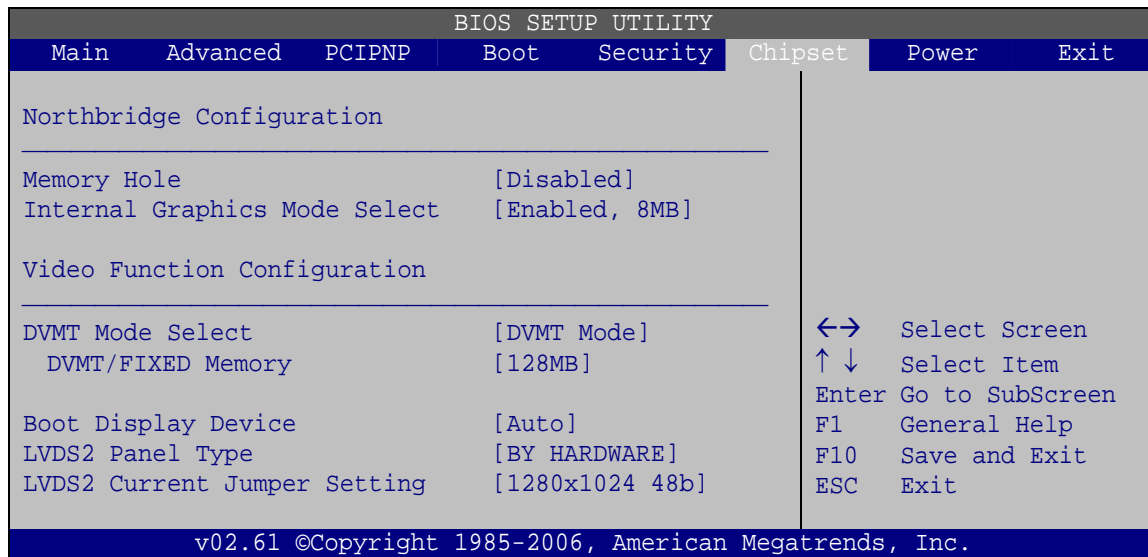


BIOS Menu 22: Chipset

## AFL-W19A/W19B/17D/W15A-N270 Panel PC

### 3.7.1 Northbridge Configuration

Use the **Northbridge Chipset Configuration** menu (BIOS Menu 23) to configure the Northbridge chipset.



#### BIOS Menu 23:Northbridge Chipset Configuration

##### → **Memory Hole [Disabled]**

Use the **Memory Hole** option to reserve memory space between 15 MB and 16 MB for ISA expansion cards that require a specified area of memory to work properly. If an older ISA expansion card is used, please refer to the documentation that came with the card to see if it is necessary to reserve the space.

- **Disabled**      **DEFAULT**      Memory is not reserved for ISA expansion cards
- **15 MB–16 MB**      Between 15 MB and 16 MB of memory is reserved for ISA expansion cards

##### → **Internal Graphics Mode Select [Enable, 8 MB]**

Use the **Internal Graphic Mode Select** option to specify the amount of system memory that can be used by the Internal graphics device.

- **Disable**      Disabled the onboard graphics



- ➔ **Enable, 1 MB** Dedicates 1 MB of main memory for graphics
- ➔ **Enable, 8 MB** **DEFAULT** Dedicated 8 MB of main memory for graphics

➔ **DVMT Mode Select [DVMT Mode]**

Use the **DVMT Mode Select** option to select the Intel Dynamic Video Memory Technology (DVMT) operating mode.

- ➔ **Fixed Mode** A fixed portion of graphics memory is reserved as graphics memory.
- ➔ **DVMT Mode** **DEFAULT** Graphics memory is dynamically allocated according to the system and graphics needs.
- ➔ **Combo Mode** A fixed portion of graphics memory is reserved as graphics memory. If more memory is needed, graphics memory is dynamically allocated according to the system and graphics needs.

➔ **DVMT/FIXED Memory [128 MB]**

Use the **DVMT/FIXED Memory** option to specify the maximum amount of memory that can be allocated as graphics memory. This option can only be configured for if **DVMT Mode** or **Fixed Mode** is selected in the **DVMT Mode Select** option. If **Combo Mode** is selected, the maximum amount of graphics memory is 128 MB. Configuration options are listed below.

- 64 MB
- 128 MB **DEFAULT**
- Maximum DVMT

➔ **Boot Display Device [Auto]**

Selects which graphics output to use first after the system is turned on. Auto selects the first available device.

- Auto **DEFAULT**
- CRT

## AFL-W19A/W19B/17D/W15A-N270 Panel PC

- LVDS

### → Panel Type

Use the **Panel Type** to determine the LCD panel resolution. Configuration options are listed below:

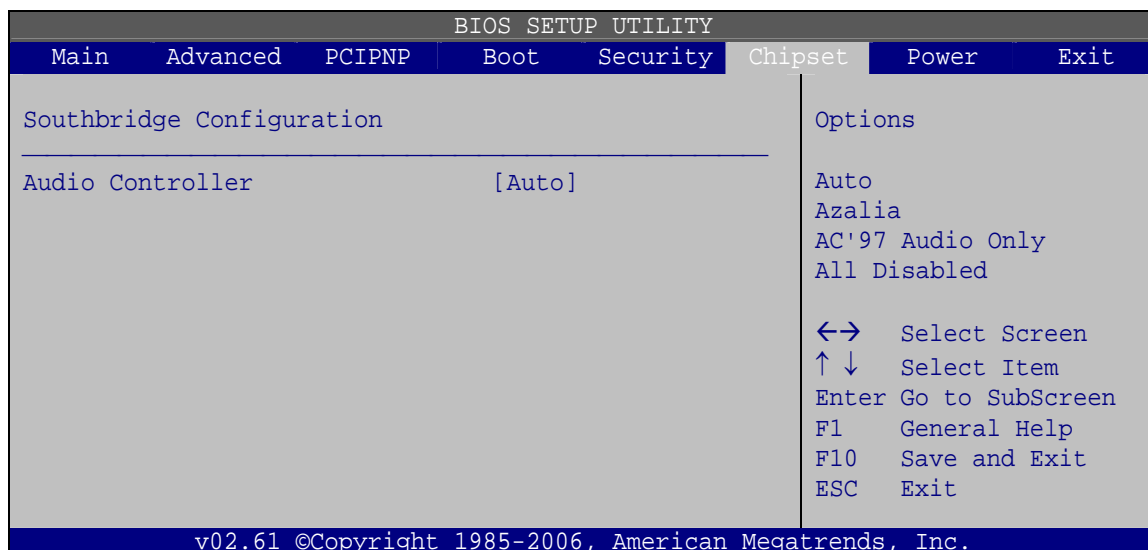
- 1024x768 24b
- 1280x1024 48b
- 1366x768 24b
- 1440x900 48b
- BY HARDWARE      **DEFAULT**

### → Current Jumper Setting

Shows current value of the hardware jumper setting for the LVDS resolution. This is the value used when "BY HARDWARE" is selected in the setting above.

## 3.7.2 Southbridge Configuration

The **Southbridge Configuration** menu (BIOS Menu 24) the Southbridge chipset to be configured.



**BIOS Menu 24:Southbridge Chipset Configuration**

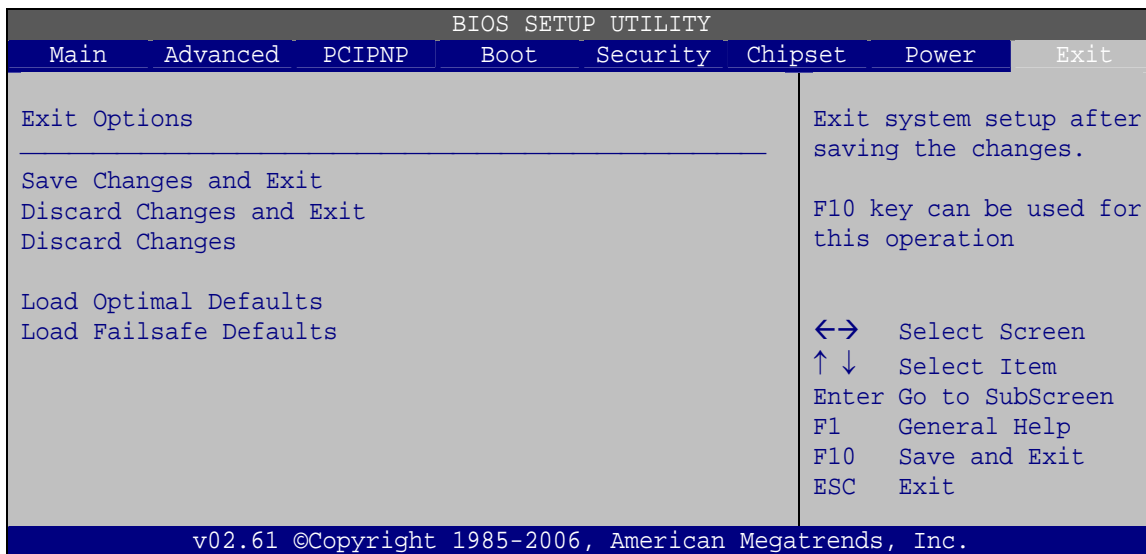
➔ **Audio Controller [Auto]**

Use the **HDA Controller** option to enable or disable High Definition audio codec.

- ➔ **Auto** DEFAULT
- ➔ **Azalia** Enabled High Definition audio
- ➔ **AC'97 Audio Only** Enable AC'97 audio
- ➔ **All disabled** No audio

### 3.8 Exit

Use the **Exit** menu (BIOS Menu 25) to load default BIOS values, optimal failsafe values and to save configuration changes.



**BIOS Menu 25:Exit**

➔ **Save Changes and Exit**

Use the **Save Changes and Exit** option to save the changes made to the BIOS options and to exit the BIOS configuration setup program.

➔ **Discard Changes and Exit**

Use the **Discard Changes and Exit** option to exit the BIOS configuration setup program without saving the changes made to the system.

## AFL-W19A/W19B/17D/W15A-N270 Panel PC

### → Discard Changes

Use the **Discard Changes** option to discard the changes and remain in the BIOS configuration setup program.

### → Load Optimal Defaults

Use the **Load Optimal Defaults** option to load the optimal default values for each of the parameters on the Setup menus. **F9 key can be used for this operation.**

### → Load Failsafe Defaults

Use the **Load Failsafe Defaults** option to load failsafe default values for each of the parameters on the Setup menus. **F8 key can be used for this operation.**

Chapter

4

# System Maintenance

---



## AFL-W19A/W19B/17D/W15A-N270 Panel PC

### 4.1 System Maintenance Introduction

If the components of the AFL-W19A/W19B/17D/W15A-N270 fail they must be replaced, such as the wireless LAN module or the motherboard. Please contact the system reseller or vendor to purchase the replacement parts. Back cover removal instructions and jumper settings for the AFL-W19A/W19B/17D/W15A-N270 are described below.

### 4.2 Motherboard Replacement

In the case of motherboard failure, please contact an IEI sales representative, reseller or system vendor. The motherboard is accessible after opening the rear cover.

### 4.3 Cover Removal



#### **WARNING!**

**Turn off the power before removing the back cover.** Risk of electrocution. Severe damage to the product and injury to the body may occur if internal parts are touched while the power is still on.



#### **WARNING!**

**Take antistatic precautions when working on the internal components.** Some internal components are easily damaged or destroyed by electrostatic discharge. Take antistatic precautions to prevent electrostatic discharge.

---

To replace any of the following components,

- Memory module
- Wireless LAN module
- Inverter

The back cover of the AFL-W19A/W19B/17D/W15A-N270 must be removed. To remove the back cover, loosen the four silver screws, slide the cover down and then lift to remove.

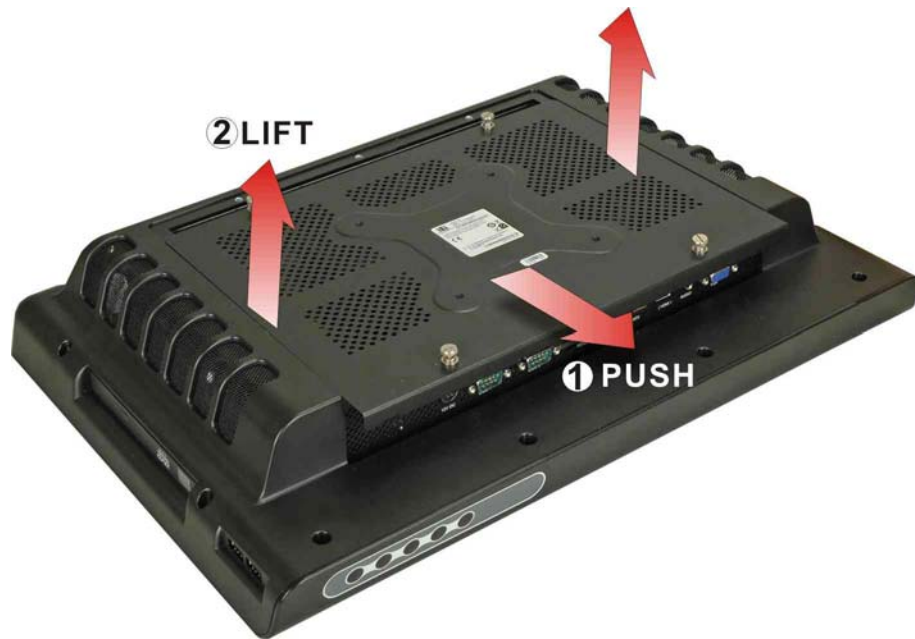


Figure 4-1: Back Cover Retention Screws

## 4.4 Memory Module Replacement

The flat panel PC has a preinstalled memory module. If the memory module fails, take the steps below to replace it.

- Step 1:** Remove the back cover. See **Section 4.3** above.
- Step 2:** Locate the memory module on the motherboard of the flat panel PC
- Step 3:** Remove the memory module by pulling both the spring retainer clips outward from the socket.
- Step 4:** Grasp the memory module by the edges and carefully pull it out of the socket.
- Step 5:** Install the new memory module by inserting it at an angle, then pushing down until the clips snap into place (Figure 4-2).

AFL-W19A/W19B/17D/W15A-N270 Panel PC

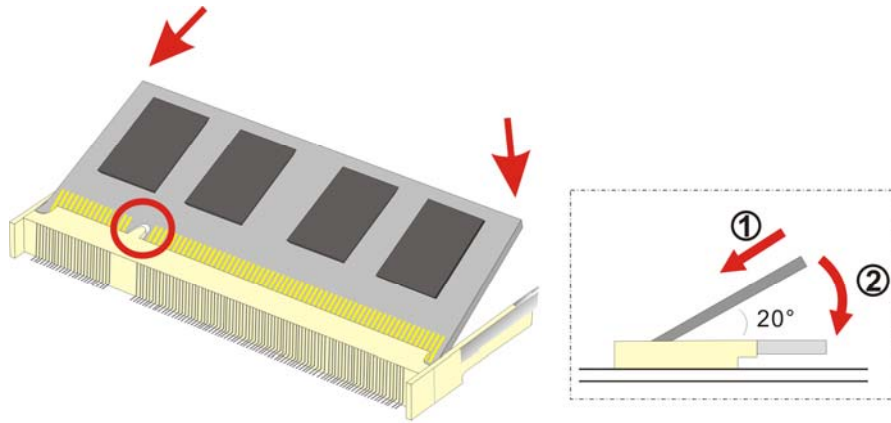


Figure 4-2: DDR SO-DIMM Module Installation

Appendix

**A**

# Safety Precautions

---

**WARNING:**

The precautions outlined in this chapter should be strictly followed. Failure to follow these precautions may result in permanent damage to the AFL-W19A/W19B/17D/W15A-N270.

## A.1 Safety Precautions

Please follow the safety precautions outlined in the sections that follow:

### A.1.1 General Safety Precautions

Please ensure the following safety precautions are adhered to at all times.

- **Follow the electrostatic precautions** outlined below whenever the AFL-W19A/W19B/17D/W15A-N270 is opened.
- **Make sure the power is turned off and the power cord is disconnected** whenever the AFL-W19A/W19B/17D/W15A-N270 is being installed, moved or modified.
- **Do not apply voltage levels that exceed the specified voltage range.** Doing so may cause fire and/or an electrical shock.
- **Electric shocks can occur** if the AFL-W19A/W19B/17D/W15A-N270 chassis is opened when the AFL-W19A/W19B/17D/W15A-N270 is running.
- **Do not drop or insert any objects** into the ventilation openings of the AFL-W19A/W19B/17D/W15A-N270.
- **If considerable amounts of dust, water, or fluids enter the AFL-W19A/W19B/17D/W15A-N270**, turn off the power supply immediately, unplug the power cord, and contact the AFL-W19A/W19B/17D/W15A-N270 vendor.
- **DO NOT** do the following:
  - **DO NOT** drop the AFL-W19A/W19B/17D/W15A-N270 against a hard surface.
  - **DO NOT** strike or exert excessive force onto the LCD panel.
  - **DO NOT** touch any of the LCD panels with a sharp object



- **DO NOT** use the AFL-W19A/W19B/17D/W15A-N270 in a site where the ambient temperature exceeds the rated temperature

### A.1.2 Anti-static Precautions

---



#### **WARNING:**

Failure to take ESD precautions during the installation of the AFL-W19A/W19B/17D/W15A-N270 may result in permanent damage to the AFL-W19A/W19B/17D/W15A-N270 and sever injury to the user.

---

Electrostatic discharge (ESD) can cause serious damage to electronic components, including the AFL-W19A/W19B/17D/W15A-N270. Dry climates are especially susceptible to ESD. It is therefore critical that whenever the AFL-W19A/W19B/17D/W15A-N270 is opened and any of the electrical components are handled, the following anti-static precautions are strictly adhered to.

- ***Wear an anti-static wristband:*** Wearing a simple anti-static wristband can help to prevent ESD from damaging any electrical component.
- ***Self-grounding:*** Before handling any electrical component, touch any grounded conducting material. During the time the electrical component is handled, frequently touch any conducting materials that are connected to the ground.
- ***Use an anti-static pad:*** When configuring or working with an electrical component, place it on an antic-static pad. This reduces the possibility of ESD damage.
- ***Only handle the edges of the electrical component:*** When handling the electrical component, hold the electrical component by its edges.

## AFL-W19A/W19B/17D/W15A-N270 Panel PC

### A.1.3 Product Disposal



#### CAUTION:

Risk of explosion if battery is replaced by and incorrect type. Only certified engineers should replace the on-board battery.

Dispose of used batteries according to instructions and local regulations.

- Outside the European Union - If you wish to dispose of used electrical and electronic products outside the European Union, please contact your local authority so as to comply with the correct disposal method.
- Within the European Union:



EU-wide legislation, as implemented in each Member State, requires that waste electrical and electronic products carrying the mark (left) must be disposed of separately from normal household waste. This includes monitors and electrical accessories, such as signal cables or power cords.

When you need to dispose of your display products, please follow the guidance of your local authority, or ask the shop where you purchased the product. The mark on electrical and electronic products only applies to the current European Union Member States.

Please follow the national guidelines for electrical and electronic product disposal.

## A.2 Maintenance and Cleaning Precautions

When maintaining or cleaning the AFL-W19A/W19B/17D/W15A-N270, please follow the guidelines below.

### A.2.1 Maintenance and Cleaning

Prior to cleaning any part or component of the AFL-W19A/W19B/17D/W15A-N270, please read the details below.

- Except for the LCD panel, never spray or squirt liquids directly onto any other components. To clean the LCD panel, gently wipe it with a piece of soft dry cloth or a slightly moistened cloth.
- The interior does not require cleaning. Keep fluids away from the interior.
- Be careful not to damage the small, removable components inside.
- Turn off before cleaning.
- Never drop any objects or liquids through the openings.
- Be cautious of any possible allergic reactions to solvents or chemicals used when cleaning.
- Avoid eating, drinking and smoking nearby.

### A.2.2 Cleaning Tools

Some components may only be cleaned using a product specifically designed for the purpose. In such case, the product will be explicitly mentioned in the cleaning tips. Below is a list of items to use for cleaning.

- **Cloth** – Although paper towels or tissues can be used, a soft, clean piece of cloth is recommended.
- **Water or rubbing alcohol** – A cloth moistened with water or rubbing alcohol should be used.
- **Using solvents** – The use of solvents is not recommended as they may damage the plastic parts.
- **Vacuum cleaner** – Using a vacuum specifically designed for computers is one of the best methods of cleaning. Dust and dirt can restrict the airflow and cause circuitry to corrode
- **Cotton swabs** - Cotton swaps moistened with rubbing alcohol or water are excellent tools for wiping hard to reach areas.
- **Foam swabs** - Whenever possible, it is best to use lint free swabs such as foam swabs for cleaning.

Appendix

**B**

# BIOS Options

---

Below is a list of BIOS configuration options in the BIOS chapter.

System Overview .....	48
System Time [xx:xx:xx] .....	49
System Date [xx/xx/xx] .....	49
ATA/IDE Configuration [Compatible] .....	51
Legacy IDE Channels [SATA Pri, PATA Sec] .....	51
Configure SATA as [IDE] .....	52
Auto-Detected Drive Parameters .....	52
Type [Auto] .....	53
LBA/Large Mode [Auto] .....	54
Block (Multi Sector Transfer) [Auto] .....	54
PIO Mode [Auto] .....	54
DMA Mode [Auto] .....	55
S.M.A.R.T [Auto] .....	56
32Bit Data Transfer [Enabled] .....	56
Serial Port1 Address [3F8/IRQ4] .....	57
Serial Port1 Mode [Normal] .....	57
Serial Port3 Address [3E8] .....	58
Serial Port3 IRQ [11] .....	58
Select RS232 or RS422/RS485 [RS/232] .....	58
Serial Port4 Address [2E8] .....	58
Serial Port4 IRQ [11] .....	58
Serial Port5 Address [2F0] .....	59
Serial Port5 IRQ [10] .....	59
Mode Setting [Full On Mode] .....	60
Temp. Limit of OFF [000] .....	61
Temp. Limit of Start [020] .....	61
Start PWM [070] .....	61
Slope PWM [1 PWM] .....	62
CPU Fan PWM Control [070] .....	62
Monitored Values .....	62
Suspend Mode [S1(POS)] .....	64
Restore on AC Power Loss [Last State] .....	65
Power Button Mode [On/Off] .....	65



## AFL-W19A/W19B/17D/W15A-N270 Panel PC

Resume on Keyboard/Mouse [Disabled] .....	66
Resume on Ring [Disabled] .....	66
Resume on PCI-Express WAKE# [Enabled].....	66
Resume On RTC Alarm [Disabled].....	66
Remote Access [Disabled].....	67
Serial Port Number [COM1].....	68
Base Address, IRQ [2F8h,3].....	68
Serial Port Mode [115200 8,n,1].....	68
Flow Control [None].....	69
Redirection After BIOS POST [Always] .....	69
Terminal Type [ANSI].....	69
VT-UTF8 Combo Key Support [Disabled].....	70
Sredir Memory Display Delay [Disabled].....	70
USB Configuration.....	71
USB Devices Enabled.....	71
USB Function [Enabled].....	71
USB 2.0 Controller [Enabled].....	72
Legacy USB Support [Enabled].....	72
USB2.0 Controller Mode [HiSpeed].....	72
USB Mass Storage Reset Delay [20 Sec] .....	73
Device ##.....	73
Emulation Type [Auto].....	74
IRQ# [Available] .....	75
DMA Channel# [Available] .....	76
Reserved Memory Size [Disabled] .....	76
Quick Boot [Enabled] .....	78
Quiet Boot [Enabled] .....	78
AddOn ROM Display Mode [Force BIOS] .....	78
Bootup Num-Lock [On] .....	78
Boot From LAN Support [Disabled] .....	79
Spread Spectrum Mode [Disabled] .....	79
Change Supervisor Password.....	83
Change User Password.....	83
Memory Hole [Disabled].....	85
Internal Graphics Mode Select [Enable, 8 MB] .....	85



DVMT Mode Select [DVMT Mode].....86  
DVMT/FIXED Memory [128 MB] .....86  
Boot Display Device [Auto].....86  
Panel Type .....87  
Current Jumper Setting.....87  
Audio Controller [Auto] .....88  
Save Changes and Exit .....88  
Discard Changes and Exit.....88  
Discard Changes.....89  
Load Optimal Defaults.....89  
Load Failsafe Defaults.....89

Appendix

C

# Terminology

---

<b>AC '97</b>	Audio Codec 97 (AC'97) refers to a codec standard developed by Intel® in 1997.
<b>ACPI</b>	Advanced Configuration and Power Interface (ACPI) is an OS-directed configuration, power management, and thermal management interface.
<b>AHCI</b>	Advanced Host Controller Interface (AHCI) is a SATA Host controller register-level interface.
<b>ATA</b>	The Advanced Technology Attachment (ATA) interface connects storage devices including hard disks and CD-ROM drives to a computer.
<b>ARMD</b>	An ATAPI Removable Media Device (ARMD) is any ATAPI device that supports removable media, besides CD and DVD drives.
<b>ASKIR</b>	Amplitude Shift Keyed Infrared (ASKIR) is a form of modulation that represents a digital signal by varying the amplitude (“volume”) of the signal. A low amplitude signal represents a binary 0, while a high amplitude signal represents a binary 1.
<b>BIOS</b>	The Basic Input/Output System (BIOS) is firmware that is first run when the computer is turned on and can be configured by the end user
<b>CODEC</b>	The Compressor-Decompressor (CODEC) encodes and decodes digital audio data on the system.
<b>CompactFlash®</b>	CompactFlash® is a solid-state storage device. CompactFlash® devices use flash memory in a standard size enclosure. Type II is thicker than Type I, but a Type II slot can support both types.
<b>CMOS</b>	Complimentary metal-oxide-conductor is an integrated circuit used in chips like static RAM and microprocessors.
<b>COM</b>	COM refers to serial ports. Serial ports offer serial communication to expansion devices. The serial port on a personal computer is usually a male DB-9 connector.
<b>DAC</b>	The Digital-to-Analog Converter (DAC) converts digital signals to analog signals.
<b>DDR</b>	Double Data Rate refers to a data bus transferring data on both the rising and falling edges of the clock signal.

## AFL-W19A/W19B/17D/W15A-N270 Panel PC

<b>DMA</b>	Direct Memory Access (DMA) enables some peripheral devices to bypass the system processor and communicate directly with the system memory.
<b>DIMM</b>	Dual Inline Memory Modules are a type of RAM that offer a 64-bit data bus and have separate electrical contacts on each side of the module.
<b>DIO</b>	The digital inputs and digital outputs are general control signals that control the on/off circuit of external devices or TTL devices. Data can be read or written to the selected address to enable the DIO functions.
<b>EHCI</b>	The Enhanced Host Controller Interface (EHCI) specification is a register-level interface description for USB 2.0 Host Controllers.
<b>EIDE</b>	Enhanced IDE (EIDE) is a newer IDE interface standard that has data transfer rates between 4.0 MBps and 16.6 MBps.
<b>EIST</b>	Enhanced Intel® SpeedStep Technology (EIST) allows users to modify the power consumption levels and processor performance through application software. The application software changes the bus-to-core frequency ratio and the processor core voltage.
<b>FSB</b>	The Front Side Bus (FSB) is the bi-directional communication channel between the processor and the Northbridge chipset.
<b>GbE</b>	Gigabit Ethernet (GbE) is an Ethernet version that transfers data at 1.0 Gbps and complies with the IEEE 802.3-2005 standard.
<b>GPIO</b>	General purpose input
<b>HDD</b>	Hard disk drive (HDD) is a type of magnetic, non-volatile computer storage device that stores digitally encoded data.
<b>ICH</b>	The Input/Output Control Hub (ICH) is an Intel® Southbridge chipset.
<b>IrDA</b>	Infrared Data Association (IrDA) specify infrared data transmission protocols used to enable electronic devices to wirelessly communicate with each other.
<b>L1 Cache</b>	The Level 1 Cache (L1 Cache) is a small memory cache built into the system processor.
<b>L2 Cache</b>	The Level 2 Cache (L2 Cache) is an external processor memory cache.



<b>LCD</b>	Liquid crystal display (LCD) is a flat, low-power display device that consists of two polarizing plates with a liquid crystal panel in between.
<b>LVDS</b>	Low-voltage differential signaling (LVDS) is a dual-wire, high-speed differential electrical signaling system commonly used to connect LCD displays to a computer.
<b>POST</b>	The Power-on Self Test (POST) is the pre-boot actions the system performs when the system is turned-on.
<b>RAM</b>	Random Access Memory (RAM) is volatile memory that loses data when power is lost. RAM has very fast data transfer rates compared to other storage like hard drives.
<b>SATA</b>	Serial ATA (SATA) is a serial communications bus designed for data transfers between storage devices and the computer chipsets. The SATA bus has transfer speeds up to 1.5 Gbps and the SATA II bus has data transfer speeds of up to 3.0 Gbps.
<b>S.M.A.R.T</b>	Self Monitoring Analysis and Reporting Technology (S.M.A.R.T) refers to automatic status checking technology implemented on hard disk drives.
<b>UART</b>	Universal Asynchronous Receiver-transmitter (UART) is responsible for asynchronous communications on the system and manages the system's serial communication (COM) ports.
<b>UHCI</b>	The Universal Host Controller Interface (UHCI) specification is a register-level interface description for USB 1.1 Host Controllers.
<b>USB</b>	The Universal Serial Bus (USB) is an external bus standard for interfacing devices. USB 1.1 supports 12Mbps data transfer rates and USB 2.0 supports 480Mbps data transfer rates.
<b>VGA</b>	The Video Graphics Array (VGA) is a graphics display system developed by IBM.

Appendix

D

# Watchdog Timer

---



**NOTE:**

The following discussion applies to DOS environment. IEI support is contacted or the IEI website visited for specific drivers for more sophisticated operating systems, e.g., Windows and Linux.

The Watchdog Timer is provided to ensure that standalone systems can always recover from catastrophic conditions that cause the CPU to crash. This condition may have occurred by external EMIs or a software bug. When the CPU stops working correctly, Watchdog Timer either performs a hardware reset (cold boot) or a Non-Maskable Interrupt (NMI) to bring the system back to a known state.

A BIOS function call (INT 15H) is used to control the Watchdog Timer.

**INT 15H:**

<i>AH – 6FH Sub-function:</i>	
AL – 2:	Sets the Watchdog Timer's period.
BL:	Time-out value (Its unit-second is dependent on the item "Watchdog Timer unit select" in CMOS setup).

**Table D-1: AH-6FH Sub-function**

Call sub-function 2 to set the time-out period of Watchdog Timer first. If the time-out value is not zero, the Watchdog Timer starts counting down. When the timer value reaches zero, the system resets. To ensure that this reset condition does not occur, calling sub-function 2 must periodically refresh the Watchdog Timer. However, the watchdog timer is disabled if the time-out value is set to zero.

A tolerance of at least 10% must be maintained to avoid unknown routines within the operating system (DOS), such as disk I/O that can be very time-consuming.



**NOTE:**

When exiting a program it is necessary to disable the Watchdog Timer, otherwise the system resets.

**Example program:**

**; INITIAL TIMER PERIOD COUNTER**

;

W\_LOOP:

```

MOV    AX, 6F02H    ;setting the time-out value
MOV    BL, 30       ;time-out value is 48 seconds
INT    15H

```

;

**; ADD THE APPLICATION PROGRAM HERE**

;

```

CMP    EXIT_AP, 1   ;is the application over?
JNE    W_LOOP       ;No, restart the application

```

```

MOV    AX, 6F02H    ;disable Watchdog Timer
MOV    BL, 0        ;
INT    15H

```

;

**; EXIT ;**

Appendix

**E**

# Hazardous Materials Disclosure

---



## **E.1 Hazardous Materials Disclosure Table for IPB Products Certified as RoHS Compliant Under 2002/95/EC Without Mercury**

The details provided in this appendix are to ensure that the product is compliant with the Peoples Republic of China (China) RoHS standards. The table below acknowledges the presences of small quantities of certain materials in the product, and is applicable to China RoHS only.

A label will be placed on each product to indicate the estimated “Environmentally Friendly Use Period” (EFUP). This is an estimate of the number of years that these substances would “not leak out or undergo abrupt change.” This product may contain replaceable sub-assemblies/components which have a shorter EFUP such as batteries and lamps. These components will be separately marked.

Please refer to the table on the next page.

Part Name	Toxic or Hazardous Substances and Elements					
	Lead (Pb)	Mercury (Hg)	Cadmium (Cd)	Hexavalent Chromium (CR(VI))	Polybrominated Biphenyls (PBB)	Polybrominated Diphenyl Ethers (PBDE)
Housing	X	O	O	O	O	X
Display	X	O	O	O	O	X
Printed Circuit Board	X	O	O	O	O	X
Metal Fasteners	X	O	O	O	O	O
Cable Assembly	X	O	O	O	O	X
Fan Assembly	X	O	O	O	O	X
Power Supply Assemblies	X	O	O	O	O	X
Battery	O	O	O	O	O	O

O: This toxic or hazardous substance is contained in all of the homogeneous materials for the part is below the limit requirement in SJ/T11363-2006

X: This toxic or hazardous substance is contained in at least one of the homogeneous materials for this part is above the limit requirement in SJ/T11363-2006

## AFL-W19A/W19B/17D/W15A-N270 Panel PC

此附件旨在确保本产品符合中国 RoHS 标准。以下表格标示此产品中某有毒物质的含量符合中国 RoHS 标准规定的限量要求。

本产品上会附有“环境友好使用期限”的标签，此期限是估算这些物质“不会有泄漏或突变”的年限。本产品可能包含有较短的环境友好使用期限的可替换元件，像是电池或灯管，这些元件将会单独标示出来。

部件名称	有毒有害物质或元素					
	铅 (Pb)	汞 (Hg)	镉 (Cd)	六价铬 (CR(VI))	多溴联苯 (PBB)	多溴二苯醚 (PBDE)
壳体	X	O	O	O	O	X
显示	X	O	O	O	O	X
印刷电路板	X	O	O	O	O	X
金属螺帽	X	O	O	O	O	O
电缆组装	X	O	O	O	O	X
风扇组装	X	O	O	O	O	X
电力供应组装	X	O	O	O	O	X
电池	O	O	O	O	O	O

O: 表示该有毒有害物质在该部件所有物质材料中的含量均在 SJ/T11363-2006 标准规定的限量要求以下。  
X: 表示该有毒有害物质至少在该部件的某一均质材料中的含量超出 SJ/T11363-2006 标准规定的限量要求。