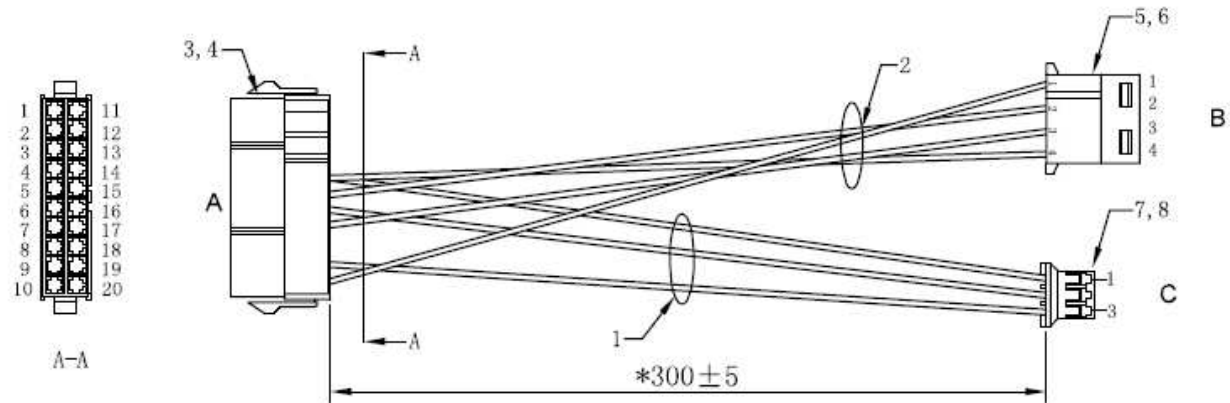


PIN ASSIGNMENTS			
A		B	C
4	#20	4	
5	#20	2	
7	#20	3	
9	#26		3
10	#20	1	
14	#26		1
16	#26		2



Bill Of Materials

NO.			DESCRIPTION	Q' TY	supplier name	REMARK
1	WD172**0	WIRE	UL1007#26 NTC L=315*3.3*2.2mm	各1PCS		3.3mm打4201
2	WD172**0	WIRE	UL1007#20 NTC L=320*3.3*4mm	各1PCS		4mm打5081, 2.2mm打PH
3	CT120100	TERMINAL	4201-TA(朝贵;CKM42010304)公	7PCS		
4	CH122091	HOUSING	4201-HY-2*10P(朝贵:42010102-20) pitch=4.2mm	1PCS		
5	CT150100	TERMINAL	CKM5081-T	4PCS		
6	CH150490	HOUSING	CKM5081-H-4P pitch=5.08mm	1PCS		
7	CT040100	TERMINAL	PH-T	3PCS		
8	CH040300	HOUSING	PH-H-3P pitch=2.0mm	1PCS		
9	LL000176		32102-022100-100-RS	1PCS		
10	BC001017	PE BAG	L203.2*152.4*0.06mm	1PCS		
11			φ20	1PCS		
12	BC000007	PE BAG	L420*W350*O.04mm	A/R		
13	BD000004		L330*W280*H250mm	A/R		