



## I-87037W

16-ch Isolated DO (10~40 VDC) Module

### Features

- Source Type Digital Outputs
- Photo Couple Isolation
- Dual Watchdog
- Power On Value and Safe Value Settings
- Short Circuit Protection
- 3750 VDC Intra-Module Isolation



### Introduction

The I-87037W provides 16 channels for digital output, each of which features photo couple isolation. The I-87037W supports source type output with short circuit protection and each channel can drive 700mA load. There are options for configuring power-on and safe digital output values. 4 kV ESD protection and 3750 VDC intra-module isolation are also provided to enrich the noise protection ability for industrial environment.

### System Specifications

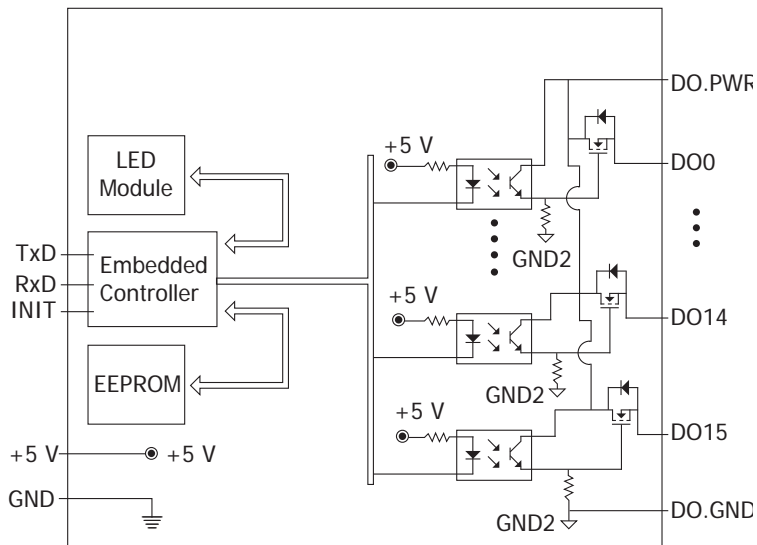
CPU Module	
Watchdog Timer	Yes, Module (1.6 Seconds), Communication (Programmable)
Isolation	
Intra-module Isolation	3750 VDC
EMS 防護	
ESD (IEC 61000-4-2)	±4 kV Contact for each Terminal
COM Ports	
Ports	1 x RS-485
Baud Rate	1200 ~ 115200 bps
Data Format	N, 8, 1
Protocol	DCON

LED Indicators	
System LED Indicator	1
I/O LED Indicator	16
Power	
Consumption	0.41 W Max.
Mechanical	
Dimensions (W x L x H)	30 mm x 102 mm x 115 mm
Environment	
Operating Temperature	-25 ~ +75 °C
Storage Temperature	-40 ~ +85 °C
Humidity	10 ~ 90 % RH, Non-condensing

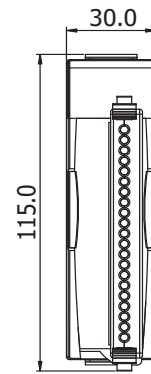
### I/O Specifications

Digital Output	
Channels	16
Type	Open Emitter
Sink/Source (NPN/PNP)	Source (PNP)
Load Voltage	+10 VDC ~ +40 VDC
Load Current	700 mA per channel
Overvoltage Protection	47 VDC
Overload Protection	Yes
Short-circuit Protection	Yes
Power on Value	Yes, Programmable
Safe Value	Yes, Programmable

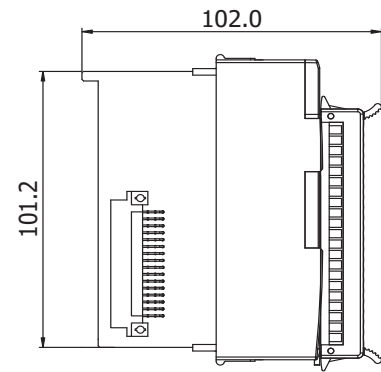
## Internal I/O Structure



## Dimensions (Units: mm)



Front View

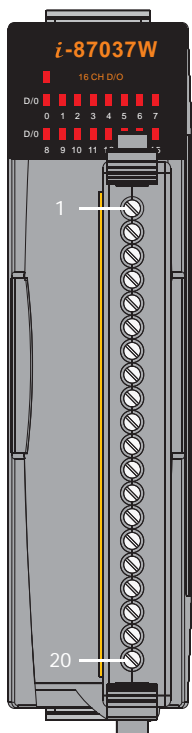


Left View

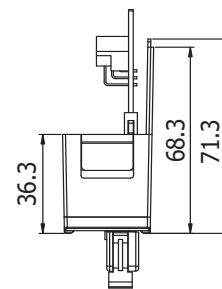
## Wire Connections

Output Type	ON State Readback as 1	OFF State Readback as 0
Drive Relay	Relay ON 	Relay OFF 
	Resistance Load 	Resistance Load 

## Pin Assignments



Terminal No.	Pin Assignment
01	DO0
02	DO1
03	DO2
04	DO3
05	DO4
06	DO5
07	DO6
08	DO7
09	DO8
10	DO9
11	DO10
12	DO11
13	DO12
14	DO13
15	DO14
16	DO15
17	DO.GND
18	DO.GND
19	DO.PWR
20	DO.PWR



Top View

## Ordering Information

**I-87037W-G CR**

16-channel Isolated DO (Source, PNP, 10~40 VDC) Module (RoHS)