



# Quick Installation Guide

## IGS-1000 Series

## Industrial Unmanaged Gigabit Switch

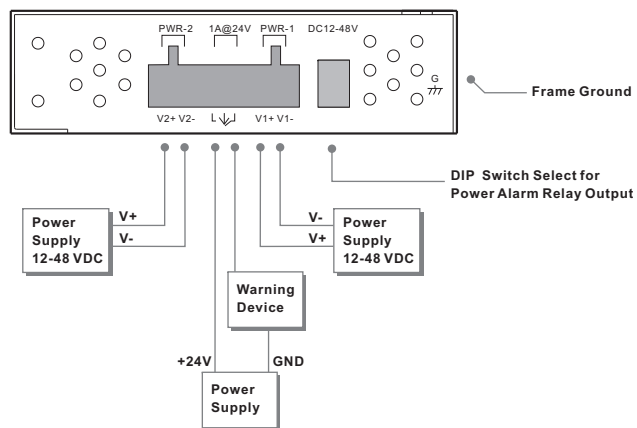
### Introduction

IGS-1000 series are industrial unmanaged gigabit Ethernet switches. IGS-1000 series support dual redundant power inputs, rigid IP-30 housing and have DIP switches to enable or disable relay output alarm. In addition, the wide operating temperature range from -40°C to 70°C can satisfy most of operating environment.

### Features

- > Dual redundant DC power inputs at terminal block
- > Very wide operating temperature range from -40°C to 70°C
- > Rigid IP-30 slim type housing design
- > DIN-Rail and panel mounting enabled
- > Relay output to carry capacity of 1A at 24 VDC

### Power Connection Guide



#### DIP Switch Function

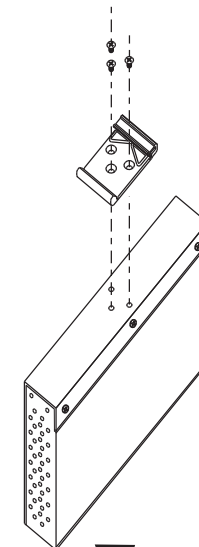
DIP-1	DIP-2	Description
OFF	OFF	Power failure relay alarm disabled
ON	OFF	PWR-1 failure, relay alarm enabled
OFF	ON	PWR-2 failure, relay alarm enabled

### Specifications

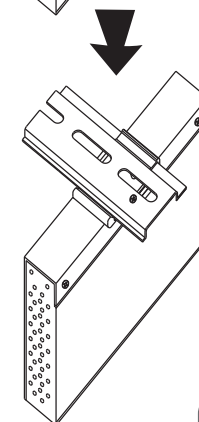
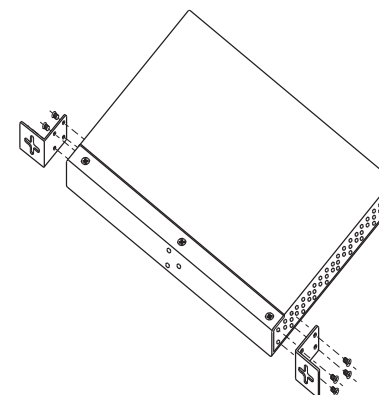
ORing Gigabit Switch Model	IGS-1050A	IGS-10416PA
<b>Physical Ports</b>		
10/100/1000 Base-T(X) Ports in RJ45 Auto MDI/MDIX	5	4
1000Base-X SFP Port	-	1
<b>Technology</b>		
Ethernet Standards	IEEE 802.3 for 10BaseT, IEEE 802.3u for 100BaseT(X) and 100BaseFX, IEEE 802.3z for 1000Base-X, IEEE 802.3ab for 1000Base-T, IEEE 802.3x for Flow control	
MAC Table	1024 MAC addresses	
Processing	Store-and-Forward	
<b>LED indicators</b>		
Power indicator	Green: Power LED x2	
Fault Indicator	Amber: Indicate PWR1 or PWR2 failure	
10/100/1000TX RJ45 Port Indicator	Green: Link/Act Amber: 100 Mbps indicator	
1000X SFP port indicator	-	Green for port Link/Act
<b>Fault contact</b>		
Relay	Relay output to carry capacity of 1A at 24VDC	
<b>Power</b>		
Redundant Input power	Dual DC inputs. 12-48VDC on 6-pin terminal block.	
Power consumption(Typ.)	5.5 Watts	
Reverse polarity protection	Present	
Overload current protection	Present	
<b>Physical Characteristic</b>		
Enclosure	IP-30	
Dimension (W x D x H)	26.1(W) x 95(D) x 144.3(H) mm (1.30 x 3.74 x 5.68 inch)	
Weight (g)	420g	403g
<b>Environmental</b>		
Storage Temperature	-40 to 85°C (-40 to 185°F)	
Operating Temperature	-40 to 70°C (-40 to 158°F)	
Operating Humidity	5% to 95% Non-condensing	
<b>Regulatory approvals</b>		
EMI	FCC Part 15, CISPR (EN55022) class A	
EMS	EN61000-4-2 (ESD), EN61000-4-3 (RS), EN61000-4-4 (EFT), EN61000-4-5 (Surge), EN61000-4-6 (CS), EN61000-4-8, EN61000-4-11	
Shock	IEC60068-2-27	
Free Fall	IEC60068-2-32	
Vibration	IEC60068-2-6	
Safety	EN60950	
<b>Warranty</b>	5 years	

### Installation

#### DIN-Rail Install Step



#### Wall-mounted Install Step



**ORing Industrial Networking Corp.**

Copyright© 2008 ORing  
All rights reserved.

---

TEL: +886-2-2918-3036 Website: [www.oring-networking.com](http://www.oring-networking.com)  
 FAX: +886-2-2918-3084 E-mail: [support@oring-networking.com](mailto:support@oring-networking.com)



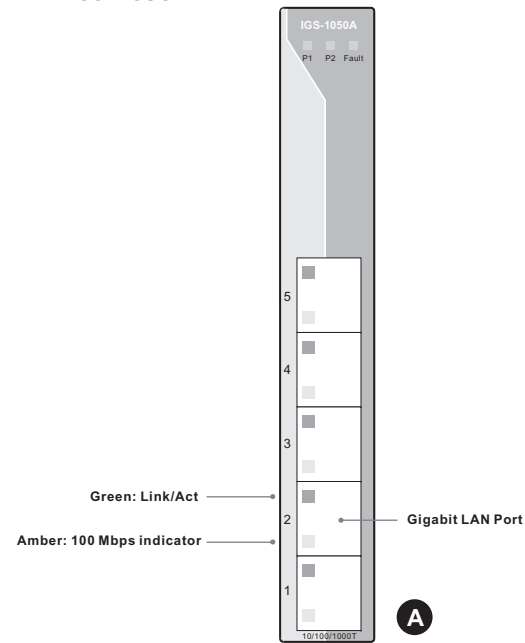
# Quick Installation Guide

## IGS-1000 Series

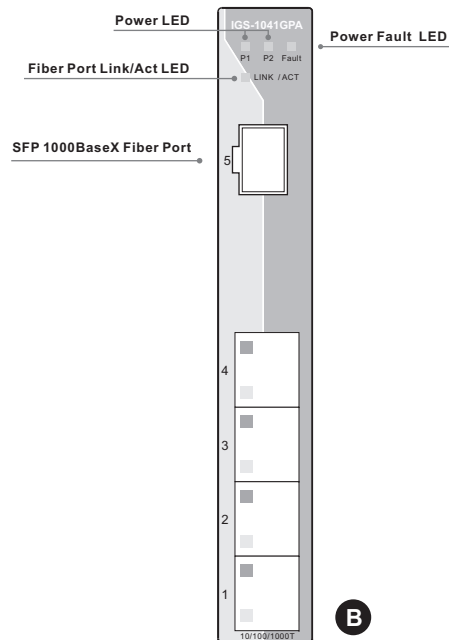
## Industrial Unmanaged Gigabit Switch

### Front Panel

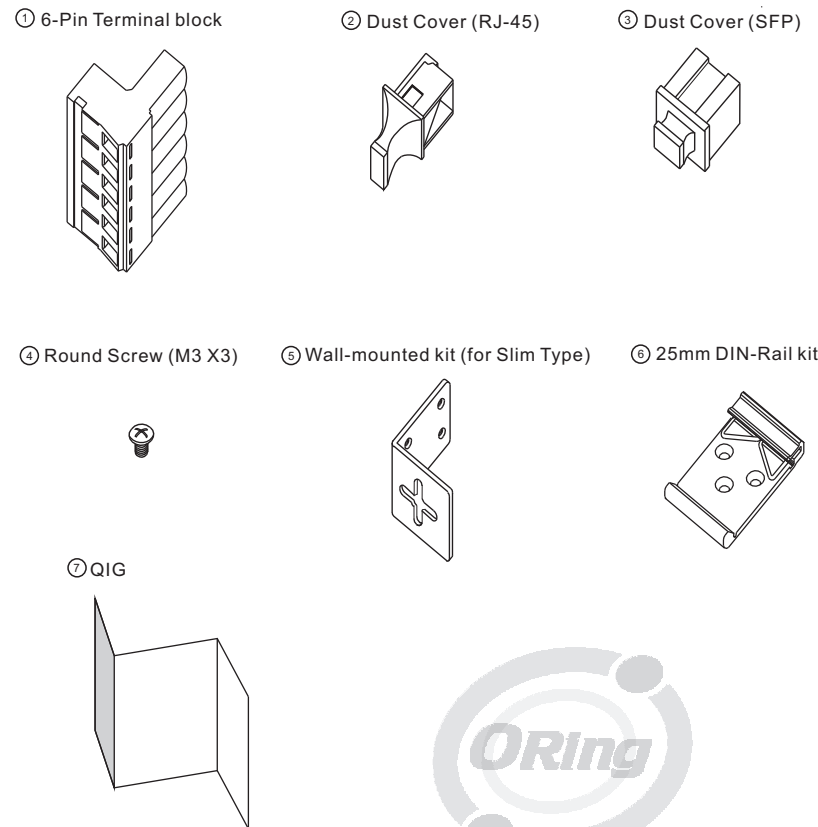
#### IGS-1050A



#### IGS-1041GPA



### Accessory



### Packing list

Model name	Front Panel:	Model Description	Accessory
IGS-1050A	<b>A</b>	Industrial 5-port Slim type Unmanaged Gigabit Ethernet Switch with 5x10/100/1000T	①X1, ②X5, ③X8, ④X2, ⑤X1, ⑥X1
IGS-1041GPA	<b>B</b>	Industrial 5-port Slim type Unmanaged Gigabit Ethernet Switch with 4x10/100/1000T and 1x1000Base-X SFP	①X1, ②X4, ③X1, ④X8, ⑤X2, ⑥X1, ⑦X1

### Communication Connections

#### 10/100BaseT(X) Ethernet Port Connection

##### RJ45 (8-pin, MDI) Port Pinouts

Pin	Single
1	Tx+
2	Tx-
3	Rx+
6	Rx-

##### RJ45 (8-pin, MDI-X) Port Pinouts

Pin	Single
1	Rx+
2	Rx-
3	Tx+
6	Tx-

#### 1000BaseT Ethernet Port Connection

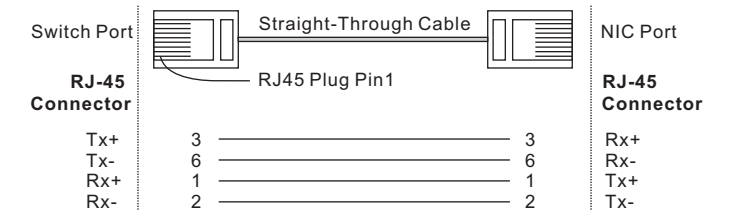
##### RJ45 (8-pin, MDI) Port Pinouts

Pin	MDI
1	BI_DA+
2	BI_DA-
3	BI_DB+
4	BI_DC+
5	BI_DC-
6	BI_DB-
7	BI_DD+
8	BI_DD-

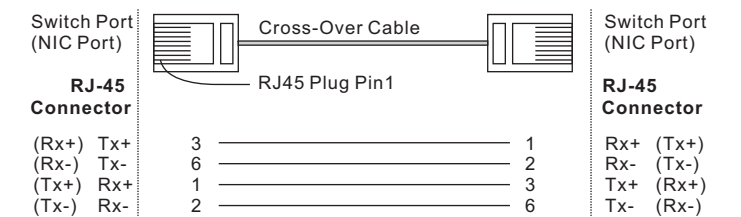
##### RJ45 (8-pin, MDI-X) Port Pinouts

Pin	MDI-X
1	BI_DB+
2	BI_DB-
3	BI_DA+
4	BI_DD+
5	BI_DD-
6	BI_DA-
7	BI_DC+
8	BI_DC-

#### RJ45 (8-pin) to RJ45 (8-Pin) Straight-Through Cable Wiring



#### RJ45 (8-pin) to RJ45 (8-Pin) Cross-Over Cable Wiring



#### 1000Base-X SFP Port Connection

