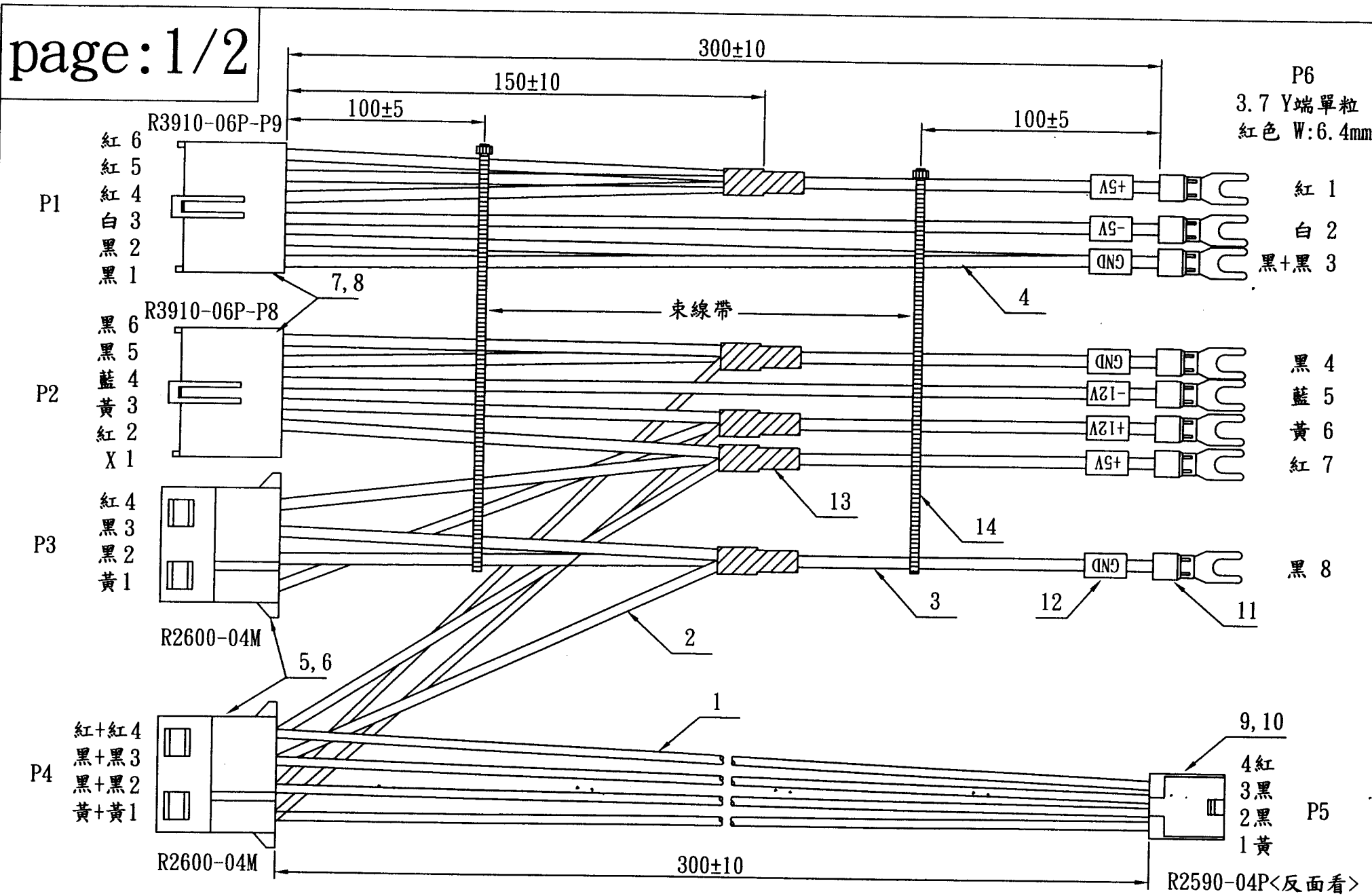


page: 1/2



P6  
3.7 Y端單粒  
紅色 W:6.4mm

紅 1  
白 2  
黑+黑 3

黑 4  
藍 5  
黃 6  
紅 7

黑 8

P5  
4紅  
3黑  
2黑  
1黃

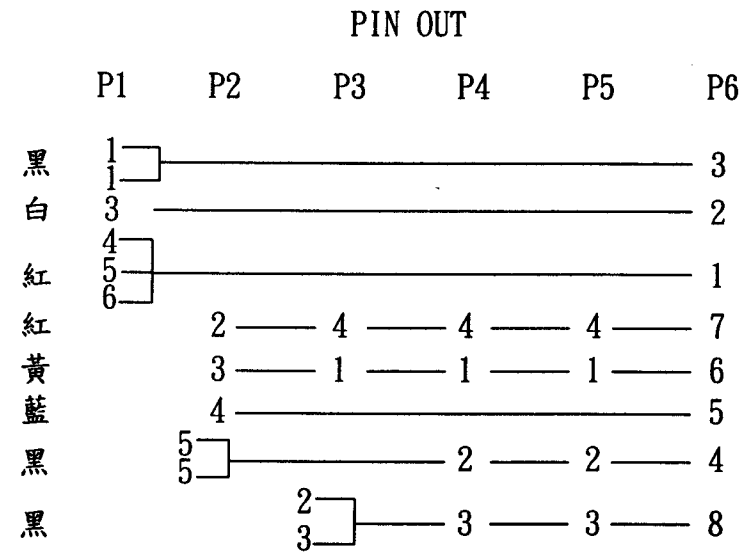
杉洋企業有限公司 SUNNY YOUNG ENTERPRISE CO., LTD.  
台北縣汐止市南陽街276號  
TEL: 886-2-26945995-9  
FAX: 886-2-26943721

DWG NAME RK078-321-109401

CHECKED	APPROVED	SCALE: NTS	REV NO	DATE	DESCRIPTION	BY	CHECKED	使用單位
		UNIT: mm(in.)	A					
DRAWN NAME	DATE	CAD NO	B					
謝松德	05.11.23	RK078-321-109401	C					

page: 2/2

序號	名稱	品名規格	數量
1	WIRE	UL1007#22 C=黃,黑,黑,紅 L=320mm (RoHS)	各1
2	WIRE	UL1007#18 C=黃,黑,紅 L=163mm (RoHS)	3/6/6
3	WIRE	UL1007#18 C=黃,黑,紅 L=160mm (RoHS)	1/2/2
4	WIRE	UL1007#18 C=藍,黑,白 L=320mm (RoHS)	1/2/1
5	TERMINAL	R2603-F-BT-L (RoHS)	8
6	HOUSING	R2600-04M (RoHS)	2
7	TERMINAL	R3903-BT (RoHS)	11
8	HOUSING	R3910-06P-P8/3910-06P-P9 (RoHS)	各1
9	TERMINAL	R2593-BT (RoHS)	4
10	HOUSING	R2590-04P (RoHS)	1
11	TERMINAL	R40Y37W64T-V-CM75 3.7Y端 單粒紅色 W:6.4 (RoHS)	8
12	數字套管	印字"GND, +5V, +12V, -12V, GND, GND, -5V, +5V" (RoHS)	各1
13	熱縮套管	黑色 4.0φ x15mm (RoHS)	5
14	束線帶	R4200-080 (RoHS)	2



杉洋企業有限公司 SUNNY YOUNG ENTERPRISE CO., LTD.  
台北縣汐止市南陽街276號

TEL: 886-2-26945995-9  
FAX: 886-2-26943721

DWG NAME

RK078-321-109401

CHECKED

APPROVED

SCALE: NTS

REV NO

DATE

DESCRIPTION

BY

CHECKED

使用單位

DRAWN NAME

DATE

CAD NO

B

謝松德

05.11.23

RK078-321-109401

C

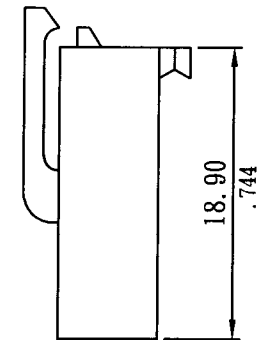
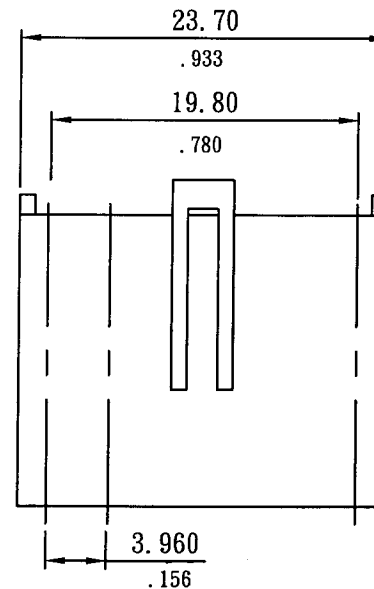
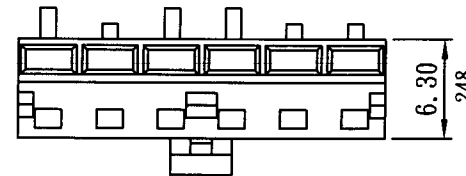
### 3.96mm(.156") HOUSING

**MATERIAL**

Insulator: Nylon 66 UL 94V-2  
 Color: white

**SPECIFICATIONS**

Temperature range: -25°C ~ +85°C  
 Current rating: 7.0A  
 Voltage rating: 250V AC  
 Dielectric withstand voltage: 1000V AC  
 Insulation resistance: 1000 MΩ min.  
 Contact resistance: 0.01Ω max.



杉洋企業有限公司 SUNNY YOUNG ENTERPRISE CO., LTD.  
 台北縣汐止市南陽街276號  
 TEL: 886-2-26945995-9  
 FAX: 886-2-26943721

CHECKED	APPROVED	SCALE: 1:2	REV NO	DATE	DESCRIPTION	BY	CHECKED	TOLERANCE UNLESS NOTED
		UNIT: mm(in.)						.0 ±0.30(.012)
DRAWN NAME	DATE	CAD NO						.00 ±0.20(.008)
	05.09.20	R3910-06P						.000±0.10(.004)

DWG NAME R3910-06P (RoHS)

# 5.08mm(.200") POWER HOUSING

## MATERIAL

Insulator: Nylon 66 UL 94V-2

Color: Natural

## SPECIFICATIONS

Temperature range: -25°C ~ +85°C

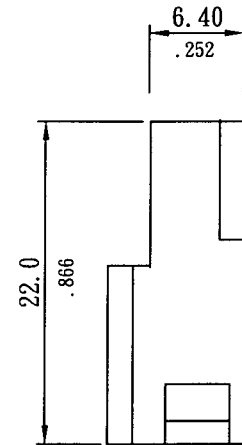
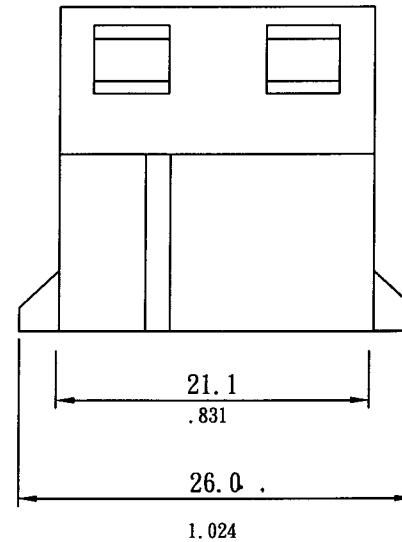
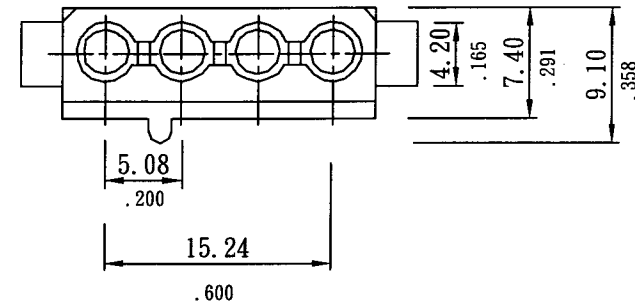
Current rating: 5.0A

Voltage rating: 250V AC

Dielectric withstand voltage: 1500V AC

Insulation resistance: 5000 MΩ min.

Contact resistance: 0.02Ω max.



杉洋企業有限公司 SUNNY YOUNG ENTERPRISE CO., LTD.

台北縣汐止市南陽街276號

TEL: 886-2-26945995-9

FAX: 886-2-26943721

DWG NAME

R2600-04M (RoHS)

CHECKED	APPROVED	SCALE: 1:2	REV NO	DATE	DESCRIPTION	BY	CHECKED	TOLERANCE UNLESS NOTED	
		UNIT: mm(in.)						LINEAR±	.0 ±0.30(.012)
DRAWN NAME	DATE	CAD NO							.00 ±0.20(.008)
	05.07.20	R2600-04M							.000±0.10(.004)

## 2.50mm(.098") HOUSING

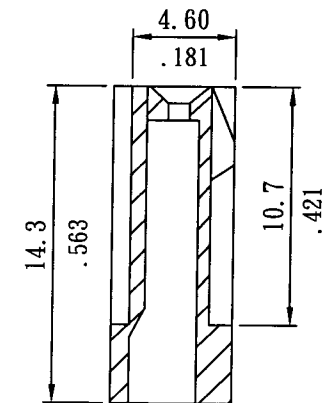
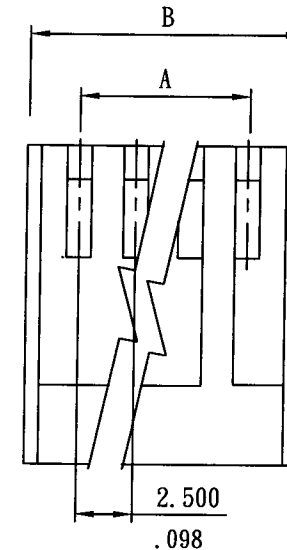
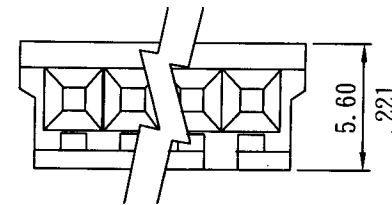
### MATERIAL

Insulator: Nylon 66 UL 94V-0

Color: white

### SPECIFICATIONS

Temperature range: -40°C ~ +105°C  
 Current rating: 2.5A  
 Voltage rating: 250V AC  
 Dielectric withstand voltage: 1500V AC  
 Insulation resistance: 5000 MΩ min.  
 Contact resistance: 0.02Ω max.



### Dimensional Information

Circuits	Dim. A	Dim. B	Circuits	Dim. A	Dim. B
2	2.50(0.098)	7.30(0.287)	8	17.50(0.689)	22.30(0.878)
3	5.00(0.197)	9.80(0.386)	9	20.00(0.787)	24.80(0.976)
4	7.50(0.295)	12.30(0.484)	10	22.50(0.886)	27.30(1.075)
5	10.00(0.394)	14.80(0.583)	11	25.00(0.984)	29.80(1.173)
6	12.50(0.492)	17.30(0.681)	12	27.50(1.083)	32.30(1.272)
7	15.00(0.591)	19.80(0.780)			

杉洋企業有限公司 SUNNY YOUNG ENTERPRISE CO., LTD.

台北縣汐止市南陽街276號

TEL: 886-2-26945995-9

FAX: 886-2-26943721

CHECKED

APPROVED

SCALE: 1:3

REV NO

DATE

DESCRIPTION

BY

CHECKED

TOLERANCE UNLESS NOTED

DRAWN NAME

DATE

CAD NO

LINEAR±

DWG NAME

R2590 SERIES (RoHS)

05.07.20

R2590

.0 ±0.30(.012)

.00 ±0.20(.008)

.000±0.10(.004)