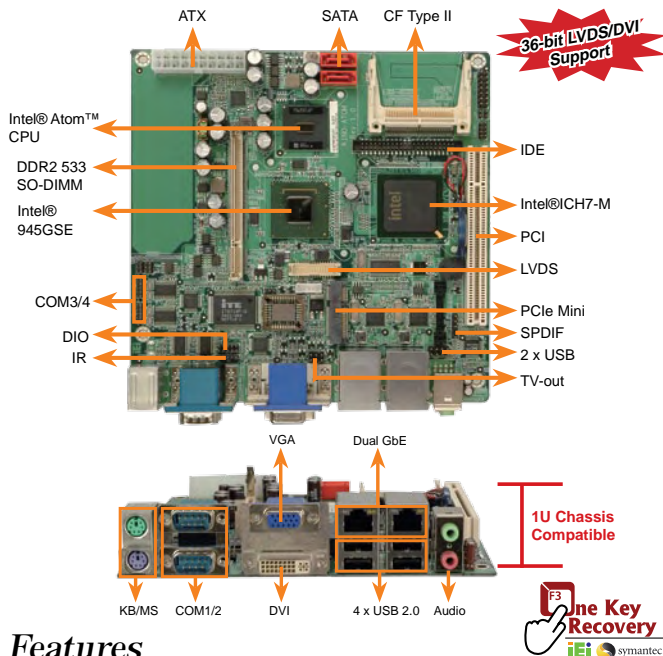


KINO-945GSE-R11

Mini-ITX SBC with Intel® Atom™ N270 1.6G, VGA/DVI/TV, Dual PCIe GbE, USB 2.0, SATA and Audio



Features

1. Intel® Atom™ processor N270 1.6GHz with ultra low voltage fanless support
2. 400/533MHz DDR2 SO-DIMM memory support up to 2GB
3. Dual display support by VGA + DVI-D, LVDS + VGA, LVDS + DVI-D
4. Support PCIe Mini slot and PCI slot for expansion
5. Support six USB 2.0, two SATA, four COM
6. IEI One Key Recovery solution allows you to create rapid OS backup and recovery

Specifications

- ◆ CPU: Intel® Atom™ processor N270 1.6GHz with a 533MHz FSB
- ◆ System Chipset: Intel® 945GSE + ICH7M
- ◆ BIOS: AMI BIOS
- ◆ Memory: One 200-pin 400/533MHz DDR2 SDRAM SO-DIMM supported (system max. 2GB)
- ◆ Ethernet: Dual Realtek PCIe 8111CP GbE chipset
- ◆ I/O Interface: 6 x USB 2.0, 2 x SATA, 1 x CF Type II, 3 x RS-232, 1 x RS-232/422/485, 1 x IDE, 2 x PS/2 for KB/MS
- ◆ Graphic: Intel® Graphics Media Accelerator 950
- ◆ Display Output: VGA integrated in Intel® 945GSE. Support HDTV resolution up to 1080i by component interface. 18-bit dual-channel LVDS by Intel® 945GSE. DVI-D supported by silicon image Sil1362
- ◆ Expansion: 1 x PCI, 1 x PCIe Mini card
- ◆ Digital I/O: 8-bit digital I/O, 4-bit input/4-bit output
- ◆ Infrared Interface by pin header
- ◆ Super IO: ITE IT8718F
- ◆ Audio: Realtek ALC655 AC'97 codec
- ◆ Watchdog Timer: Software programmable supports 1~255 sec. system reset
- ◆ Power Supply: AT/ATX power support
- ◆ Power Consumption: 2.89A@5V, 0.04A@12V (Intel® Atom™ N270 with 1GB DDR2)
- ◆ Temperature: KINO-945GSE-N270-R11: Operation: 0°C ~ 60°C (32°F~140°F), Storage: -20°C ~ 70°C. KINO-945GSE-N270W-R11: Operation: -20°C ~ 70°C
- ◆ Humidity: Operation: 5% ~ 95%, non-condensing
- ◆ Dimensions: 170mm x 170mm
- ◆ Weight: GW: 1100g/NW: 370g

Packing List

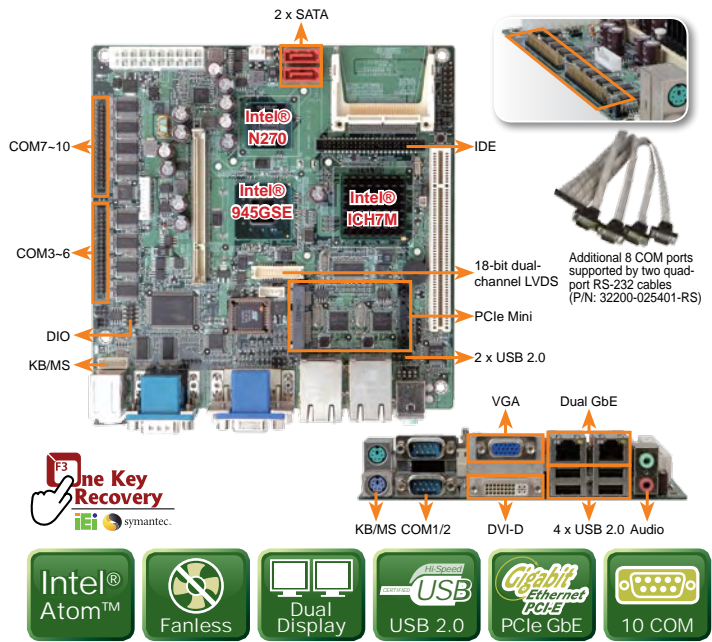
1 x KINO-945GSE single board computer	
1 x Dual RS-232 cable (P/N: 19800-000112-RS)	
1 x I/O shielding (P/N: 45014-0008C0-00-RS)	1 x Mini jumper pack
2 x SATA cable (P/N: 32801-000703-200-RS)	1 x Utility CD
1 x One Key Recovery CD	1 x QIG

Ordering Information

Part No.	Description
KINO-945GSE-N270-R11	Mini-ITX SBC with Intel® Atom™ N270 1.6G, VGA/DVI/TV, Dual PCIe GbE, USB 2.0, SATA and Audio
KINO-945GSE-N270W-R11	Mini-ITX SBC with Intel® Atom™ N270 1.6G, VGA/DVI/TV, Dual PCIe GbE, USB 2.0, SATA and Audio, -20~70°C
19800-003100-200-RS	Dual USB cable
32102-000100-200-RS	SATA power cable
32200-000009-RS	44-pin 2.5" IDE cable
32200-833600-RS	RS-422/485 cable

KINO-945GSE3

Mini-ITX SBC with Intel® Atom™ N270 1.6G, VGA/DVI/LVDS, Dual PCIe GbE, USB 2.0, ten COM, SATA and Audio



Features

1. Intel® Atom™ N270 processor 1.6GHz for fanless support
2. 400/533MHz DDR2 SO-DIMM memory support up to 2GB
3. Dual display support by VGA + DVI-D/LVDS + VGA/LVDS + DVI-D
4. Support PCIe Mini card/PCI slot for expansion
5. Complete I/O interfaces: six USB 2.0, two SATA and ten COM
6. IEI One Key Recovery solution allows you to create rapid OS backup and recovery

Specifications

- ◆ CPU: Intel® Atom™ N270 processor 1.6GHz with a 533MHz FSB
- ◆ System Chipset: Intel® 945GSE+ICH7M
- ◆ BIOS: AMI BIOS
- ◆ Memory: One 200-pin 400/533MHz DDR2 SDRAM SO-DIMM supported (system max. 2GB)
- ◆ Ethernet: Dual Realtek PCIe RTL8111E GbE Chipsets, LAN1 with ASF 2.0 support
- ◆ I/O Interface: 6 x USB 2.0, 2 x SATA, 1 x CF Type II, 1 x 6-pin header for KB/MS, 1 x IDE, 1 x RS-232/422/485, 9 x RS-232, 2 x PS/2 for KB/MS
- ◆ Graphic: GMA950
- ◆ Display Output: VGA integrated in Intel® 945GSE. Support HDTV resolution up to 1080i by component interface. 18-bit dual-channel LVDS by Intel® 945GSE. DVI-D support by Silicon Image Sil1362
- ◆ Expansion: 1 x PCI, 1 x PCIe Mini card
- ◆ Digital I/O: 8-bit digital I/O, 4-bit input/4-bit output
- ◆ Infrared Interface: 1 x Infrared Interface by pin header
- ◆ Super IO: Fintek F81865
- ◆ Audio: Realtek ALC655 AC'97 codec
- ◆ Watchdog Timer: Software programmable supports 1~255 sec. system reset
- ◆ Power Supply: AT/ATX power supply support
- ◆ Power Consumption: 12V@0.43A, 5V@4.5A (Intel® Atom™ N270 1.6GHz with 2GB DDR2)
- ◆ Temperature: Operation: -10°C ~ 60°C
- ◆ Humidity: Operation: 5% ~ 95%, non-condensing
- ◆ Dimensions: 170mm x 170mm
- ◆ Weight: GW: 1100g/NW: 370g

Packing List

1 x KINO-945GSE3 single board computer	
2 x Quad port RS-232 cable (P/N: 32200-025401-RS)	
1 x I/O shielding (P/N: 45014-0008C0-00-RS)	1 x Mini jumper pack
2 x SATA cable (P/N: 32801-000703-200-RS)	1 x Utility CD
1 x One Key Recovery CD	1 x QIG

Ordering Information

Part No.	Description
KINO-945GSE3-N270-R10	Mini-ITX SBC with Intel® Atom™ N270 1.6G, VGA/DVI/LVDS, Dual PCIe GbE, USB 2.0, 10 COM, SATA and Audio
19800-003100-200-RS	Dual USB cable
32102-000100-200-RS	SATA power cable
32200-0833600-RS	RS-422/485 cable
32200-000009-RS	44-pin 2.5" IDE cable
32200-023800-RS	Keyboard/Mouse Y cable

1 Industrial Computing Solutions

2 Video Capture Solutions

3 Embedded Computing Solutions

4 Automation Control

5 ORing Network Communication

6 Power Supply/Peripherals

7 Panel Solutions Introduction