

EBC-3200

Embedded Chassis for IEI Single Voltage Mini-ITX SBC



Features

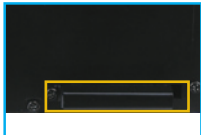
- Designs for Mini-ITX SBC with single voltage input
- Flexible storage with CF or 2.5" HDD (optional)
- One PCI or PCIe expansion slot (optional)

Flexible design with five optional modules for storage and expansion slot



Flexible storage by optional modules

2 x Internal 2.5" HDD bays (default)



1 x Internal 2.5" HDD bay
1 x CF slot



1 x Expansion slot (PCI/PCIe)
1 x Internal 2.5" HDD bay



1 x Expansion slot (PCI/PCIe)
1 x CF slot

Specifications

| Model Name | | EBC-3200 |
|-------------|-------------------------|--|
| Platform | | Case only |
| Chassis | Color | Black |
| | Dimensions (WxDxH) (mm) | 260 x 180 x 55 |
| | System Fan (WxDxH) (mm) | 2, 40 x 40 x 10 |
| Motherboard | Motherboard Model | Refer to KINO Series |
| | SBC Size (mm) | Mini-ITX (170 x 170) |
| Storage | Hard Drive | 2 x 2.5" HDD bays (default) Varies by optional modules |
| Expansions | PCI/PCIe | 1 x Low profile PCI/PCIe (support by optional modules) Max. dimensions: 147 mm (L) x 10.5 mm (D) |
| Buttons | | Power switch Reset |
| Indicators | | Power LED Error LED |
| | Mounting | Desktop, wall mount, VESA mount |
| Reliability | Operating Temperature | -10°C ~ 50°C with air flow* |
| | Weight (Net/Gross) | 1.1 kg/2 kg |

(*Ambient air speed follows IEC-68-2-2 standard)

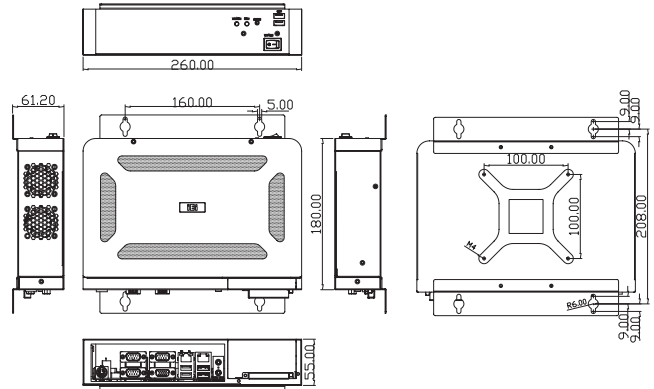
Compatible SBC

| Part No. | Expansion Type | Recommended CPU Cooler |
|----------------------|----------------------|---------------------------------------|
| tKINO-BW | 1 x PCIe x1 | Fanless |
| KINO-DQM170 | 1 x PCIe x16 | 19100-000203-00-RS |
| KINO-DH810 | 1 x PCIe x1 | CF-1156A-RS, CF-1156C-RS, CF-1156D-RS |
| KINO-DBT | 1 x PCIe x4 | Fanless |
| eKINO-BT | 1 x PCIe x1 | Fanless |
| KINO-DA750-I2 | N/A | CF-989B-RS |
| KINO-KBN/SE-I2 | 1 x PCIe x4 | GX-424CC & GX415GA with fan |
| KINO-DQM871-I1 | 1 x PCIe x16 | 19100-000203-00-RS |
| KINO-DH610 | 1 x PCI | CF-1156A-RS, CF-1156C-RS, CF-1156D-RS |
| | 1 x PCIe x1 | |
| KINO-QM770 | 1 x PCIe x16 | CF-989A-RS |
| KINO-QM670 | 1 x PCIe x16 | CF-989A-RS |
| KINO-QM57A | 1 x PCIe x16 | CF-989A-RS, CF-989B-RS |
| KINO-HM551 | 1 x PCIe x16 | CF-989A-RS |
| KINO-CV/D2550/N26001 | 1 x PCI | Fanless |
| KINO-PV-D4252/D5252 | 1 x PCI, 1 x PCIe x1 | 19FFD124010HB2A7-000001-RS |

Optional Modules

| Part No. | Description |
|--------------------------|---|
| EBCKIT-01-R10/PCI-HDD | EBC-3200 optional module with 1 x PCI slot and 1 x 2.5" HDD bay, RoHS |
| EBCKIT-02-R10/PCIe-HDD | EBC-3200 optional module with 1 x PCIe x1 slot and 1 x 2.5" HDD bay, RoHS |
| EBCKIT-03-R10/PCI-CF | EBC-3200 optional module with 1 x PCI slot and 1 x CompactFlash® slot, RoHS |
| EBCKIT-06-R10/PCIe16-HDD | EBC-3200 optional module with 1 x PCIe x16 slot and 1 x 2.5" HDD bay, RoHS |

Dimensions (Unit: mm)



Ordering Information

| Part No. | Description |
|--------------|--|
| EBC-3200-R10 | Mini-ITX embedded chassis, compatible two 2.5" HDD, w/o power adapter, black, RoHS |

Options

| Part No. | Description |
|------------------------|--|
| 32000-000002-RS | European standard power cord, 1830mm |
| 32000-000025-RS | American standard power cord, 1830mm |
| 63040-010060-110-RS | Power adapter, FSP060-DIBAN2, 90 V~264 V AC, 12 V DC, 60W, Din 4-pin/lock, Erp, RoHS |
| 19FR124010BL-000002-RS | Fan module, 40x40x10mm, CCL, RoHS |

Packing List

| | | |
|---------|-------------------------|---------------|
| 1 x QIG | 2 x Wall mount brackets | 1 x Screw set |
|---------|-------------------------|---------------|