

MATERIAL:

- A,A1,B,B1,C,C1,C2:TERMINAL P/N: RVS1-3.7
- D: H.S.G P/N:3095-06(P8)
- E: TERMINAL P/N:8478T
- F: H.S.G P/N:3095-06(P9)
- G: TERMINAL P/N:8478T
- H: H.S.G P/N:8620-04
- I: TERMINAL P/N:8610T
- J: S-ATA-15P ,BLACK MOLDING 180°
- K: UL 1007 20# COLOR:藍x1,黃x2,黑x4,紅x4,白x1
- L: UL 1007 20# COLOR:紅x1,黃x1,黑x2
- M: INNER MOLDING
- N: OUTER MOLDING
- O: 數字套環: 內容: GND,+12V,+5V -12V ,-5

PS:所有材料須符合環保要求.

CIRCUITS:

	Pin Assignment	D	F	H	Wire Color
A	-12V	4			BLUE
A1	+12V	3		1	YELLOW
B	GND	6	1		BLACK
B1	GND			2,3	BLACK
C	+5V	2		4	RED
C1	-5V	1			WHITE
C2	+5V		4,6		RED

H	J	Wire Color
1	13+14+15	YELLOW
2	10+11+12	BLACK
3	4+5+6	BLACK
4	7+8+9	RED

單PCS包裝並貼上料號標阡

PS:所有材料都須符合"ROHS COMPLANT".

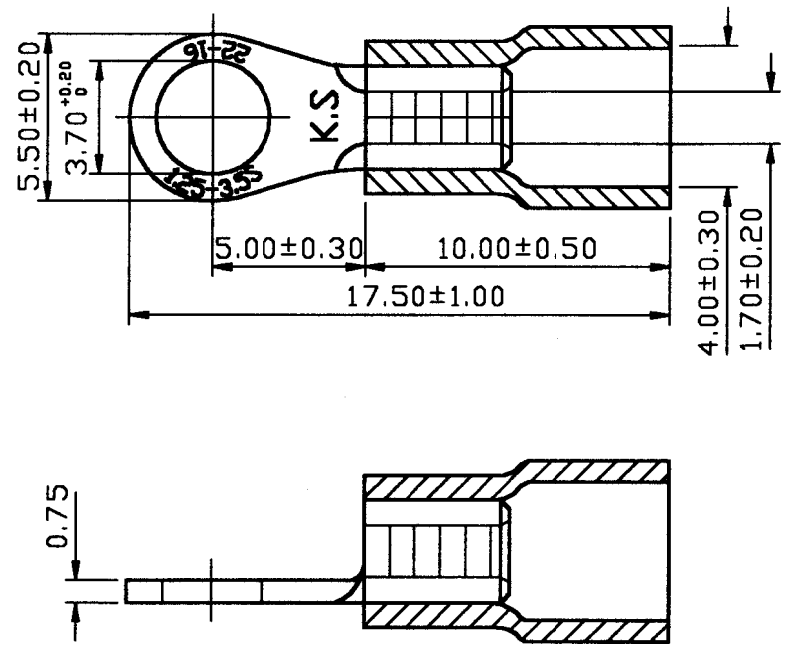
地址:台北縣樹林市東豐街49巷42號錫樽電子股份有限公司

TEL:(0769)3712990 886-2-86856337 FAX:886-2-86864167

APPROVED	CHECKED	DRAWN	REVISIONS: 2.1
	JAEN	Kenny	UNIT: mm
			DATE:2007/06/12

REV	DESCRIPTION	DATE
-----	-------------	------

△ 08/05/2004



NOTE:

1. MAXIMUM ELECTRIC CURRENT: 19 AMPERE
2. MAXIMUM ELECTRICAL RATING: 75°C 600 VOLTS MAX.
3. INSULATION MATERIAL: VINYL
4. INSULATION COLOR: RED
5. TERMINAL MATERIAL: COPPER
6. WIRE RANGE: 22-16 A.W.G. (0.5-1.5mm²)

Tolerance Unless Otherwise Specified	
0 > mm ±	ANGLE
> mm ±	0° > ° REF ±
> mm ±	° ±
> mm ±	° ±

NAME	VINYL-INSULATED RING TERMINALS				UNIT	mm	⊕	⊖
PART NO.	RVS1-3.7	MATERIAL		APPROVE	[Signature]			
NUMBER	TZV-346	SCALE	SHEET	PAGE	CHECKED	[Signature]		
DATE	12/06/2002	4 : 1	1-1	1 OF 1	DRAWN	[Signature]		

KST K.S. TERMINALS INC.