



### Features

- PXA270, 520 MHz CPU
- Windows CE 5.0
- Hard Real-Time Capability
- 3 I/O Slots
- IP65 Compliant Front Panel
- 3.5"/5.7" TFT LCD
- Support eLogger HMI
- Audio with Microphone-In and Earphone-Out
- Operating Temperature: -20 ~ +70°C






3  
2  
ViewPAC

### Introduction

The VP-23W1 and VP-25W1 are Windows CE 5.0 based PACs that combines a color graphic display and I/O expansion slots into a single unit. It is equipped with a PXA270 CPU (520 MHz), a variety of connectivities (USB, Ethernet, RS-232/485), three I/O slots, 3.5" or 5.7" TFT LCD and a rubber keypad. The benefits of running Windows CE 5.0 on ViewPAC include hard real-time capability, small core size, fast boot speed, interrupt handling at a deeper level and achievable deterministic control. The VP23W1 and VP-25W1 are also capable of running PC-based control software such as Visual Basic .NET and Visual C#, etc.

Compared to regular HMI + PLC solutions, VP-23W1 and VP-25W1 reduce overall system cost and space, and provide all the best features of HMIs and PLCs.

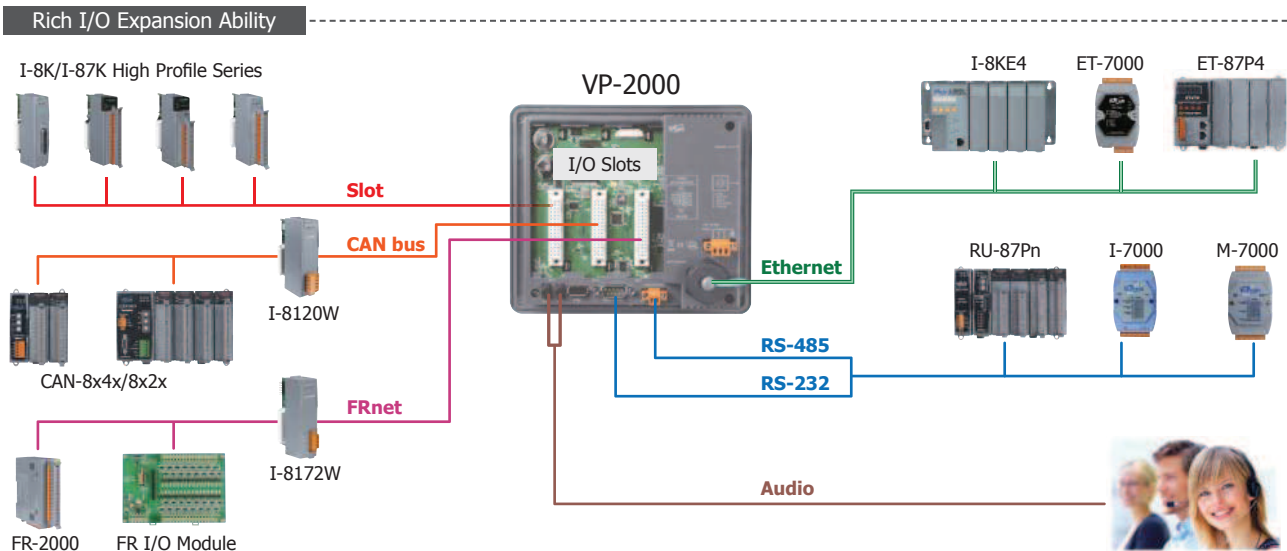
### Windows CE5



Windows CE 5 is a compact and real-time OS used to quickly create time critical and high performance applications. Using Windows CE 5 gives an ability to run PC-based control software such as Visual Basic .NET, Virtual C#, SCADA software, SoftPLC... etc.

- ★ FTP Server
- ★ Web Server
- ★ SQL Compact Edition 3.5
- ★ .NET Compact Framework 3.5
- ★ Virtual CE Pro (VCEP)
- ★ OPC Server (NAPOPC\_CE5 DA Server)
- ★ Soft PLC solution: WP-8xx7, WP-5xx7 and VP-25W7 (ISaGRAF inside)
- ★ SCADA solution: WP-8xx9, WP-5xx9 and VP-25W9 (InduSoft inside)

### Applications



## Specifications

Models	VP-23W1	VP-25W1
<b>System Software</b>		
OS	Windows CE 5.0	
.Net Compact Framework	3.5	
Embedded Service	FTP server, Web server (supports VB script, JAVA script), Embedded SQL server	
SDK Provided	DII for eVC, DII for Visual Studio.Net 2005/2008	
Multilanguage Support	English, German, French, Spanish, Russian, Italian, Korean, Simplified Chinese, Traditional Chinese	
<b>CPU Module</b>		
CPU	PXA270, 520 MHz	
SDRAM	128 MB	
Dual Battery Backup SRAM	512 KB; data valid up to 5 years	
Flash	96 MB	
EEPROM	16 KB	
Expansion Flash Memory	microSD socket with one 2 GB microSD card (support up to 32 GB microSDHC card)	
RTC (Real Time Clock)	Provide second, minute, hour, date, day of week, month, year	
64-bit Hardware Serial Number	Yes, for Software Copy Protection	
Dual Watchdog Timers	Yes (0.8 second)	
Rotary Switch	Yes (0 ~ 9)	
<b>VGA &amp; Communication Ports</b>		
Ethernet	RJ-45 x 1, 10/100 Base-TX (Auto-negotiating, Auto MDI/MDI-X, LED indicators)	
USB 1.1 (host)	1	
USB 1.1 (client)	-	
COM 0	Internal communication with the high profile I-87K series modules in slots	
COM 1	-	
COM 2	RS-485 (Data+, Data-) with internal self-tuner ASIC; 2500 V <sub>dc</sub> isolated	
COM 3	RS-232 (Rx/D, Tx/D, CTS, RTS, DSR, DTR, CD, RI and GND); Non-isolated	
<b>MMI (Man Machine Interface)</b>		
LCD	3.5" TFT (Resolution 320 x 240)	5.7" TFT (Resolution 640 x 480)
Touch Panel	-	Yes
Rubber Keypad	24 keys	6 Keys
Audio	Microphone-In and Earphone-Out	
LED Indicators	3 Dual-Color LEDs (PWR, RUN, LAN1, L1, L2, L3; L1 ~ L3 for User Programmable)	
<b>I/O Expansion Slots</b>		
Slot Number	3	
<b>Mechanical</b>		
Dimensions (W x H x D)	182 mm x 158 mm x 125 mm	
Installation	Panel Mounting	
Ingress Protection	Front panel: IP65	
<b>Environmental</b>		
Operating Temperature	-20 ~ +70°C	
Storage Temperature	-30 ~ +80°C	
Ambient Relative Humidity	10 ~ 90% RH (non-condensing)	
<b>Power</b>		
Input Range	+10 ~ +30 V <sub>dc</sub>	
Isolation	1 kV	
Capacity	12.5 W	
Consumption	7.2 W	

## Ordering Information

VP-23W1-EN CR	Standard ViewPAC with 3.5" LCD and 3 I/O slots (Multilanguage Version of OS) (RoHS)
VP-25W1-EN CR	Standard ViewPAC with 5.7" LCD and 3 I/O slots (Multilanguage Version of OS) (RoHS)
VP-23W1-TC CR	Standard ViewPAC with 3.5" LCD and 3 I/O slots (Traditional Chinese of OS) (RoHS)
VP-25W1-TC CR	Standard ViewPAC with 5.7" LCD and 3 I/O slots (Traditional Chinese of OS) (RoHS)
VP-23W1-SC CR	Standard ViewPAC with 3.5" LCD and 3 I/O slots (Simplified Chinese of OS) (RoHS)
VP-25W1-SC CR	Standard ViewPAC with 5.7" LCD and 3 I/O slots (Simplified Chinese of OS) (RoHS)

## Accessories

DP-660	24 V <sub>dc</sub> /2.5 A, 60 W and 5 V <sub>dc</sub> /0.5 A, 2.5 W Power Supply with DIN-Rail Mounting
MDR-60-24 CR	24 V <sub>dc</sub> /2.5 A, 60 W Power Supply with DIN-Rail Mounting (RoHS)