

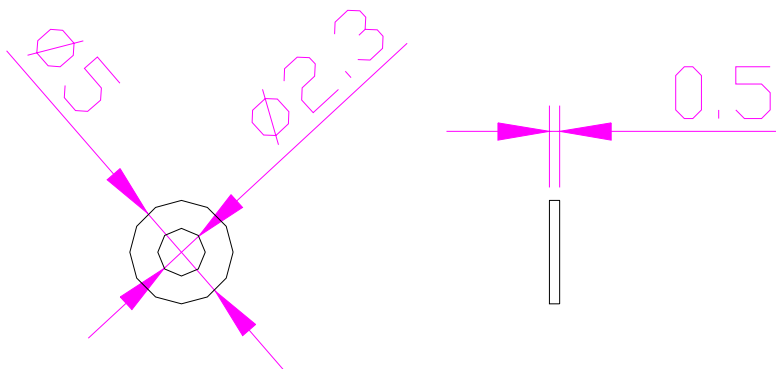


Washer

Material : Nylon+MOS2

Thickness : 0.5mm

Color : Black



General Dimension Tolerances (Unit : mm)			
0	—	30	± 0.2
31	—	60	± 0.3
61	—	100	± 0.4
101	and	Over	± 0.5
Angles			$\pm 2^\circ$



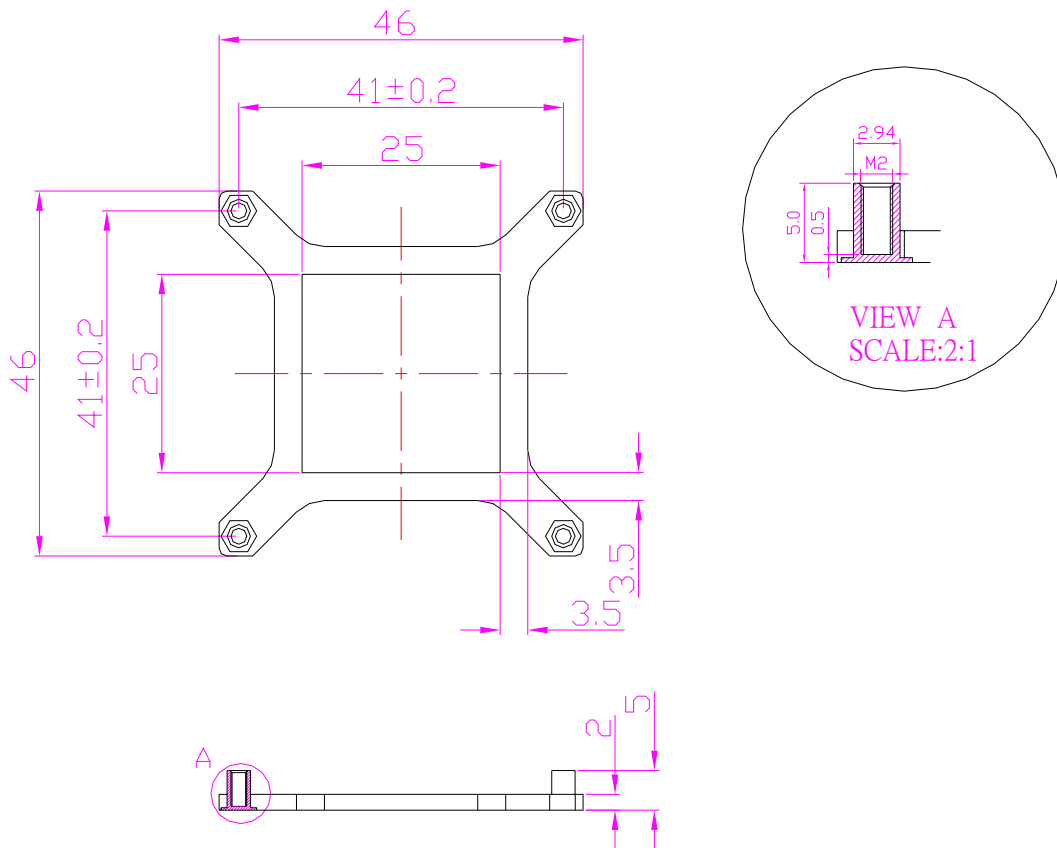
Back Plate

Material : SPCC

Boss Material: Free Cutting Steel

Finished: Nickel-Plating

Thickness : 2mm



General Dimension Tolerances (Unit : mm)			
0	—	30	± 0.2
31	—	60	± 0.3
61	—	100	± 0.4
101	and	Over	± 0.5
Angles			$\pm 2^\circ$



Insulator

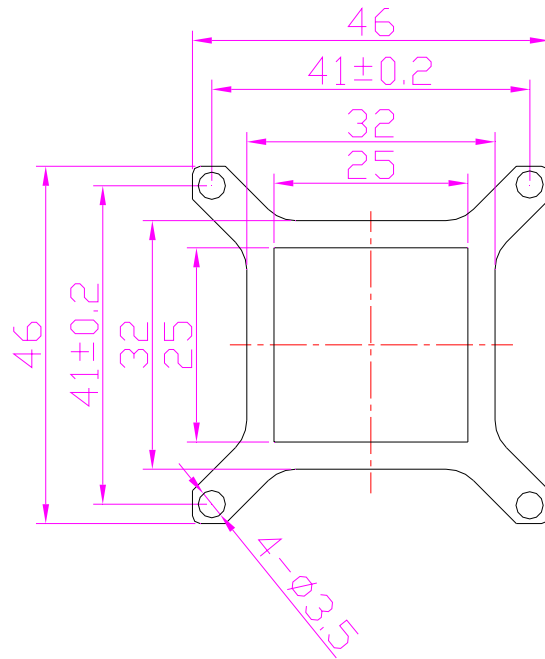
Model No. : D272

Color : Green

Adhesive : Double Sides 3M Adhesive Tape

Material Characteristics :

Thickness (mm)	Tensile Strength (N/10mm)	Dielectric Strength (KV/mm)
0.2	Cross Section : 100 Axial Section : 120	9.0



General Dimension Tolerances (Unit : mm)			
0	—	30	± 0.2
31	—	60	± 0.3
61	—	100	± 0.4
101	and	Over	± 0.5
Angles			± 2°

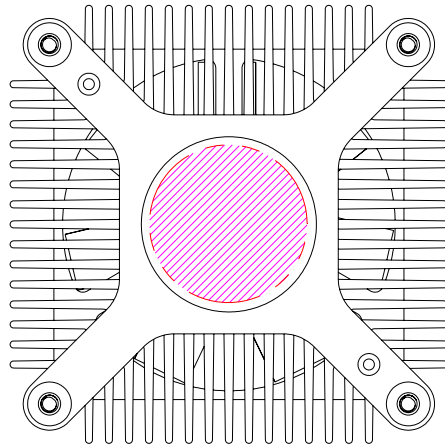


Interface

SIZE mm: ϕ 18mm

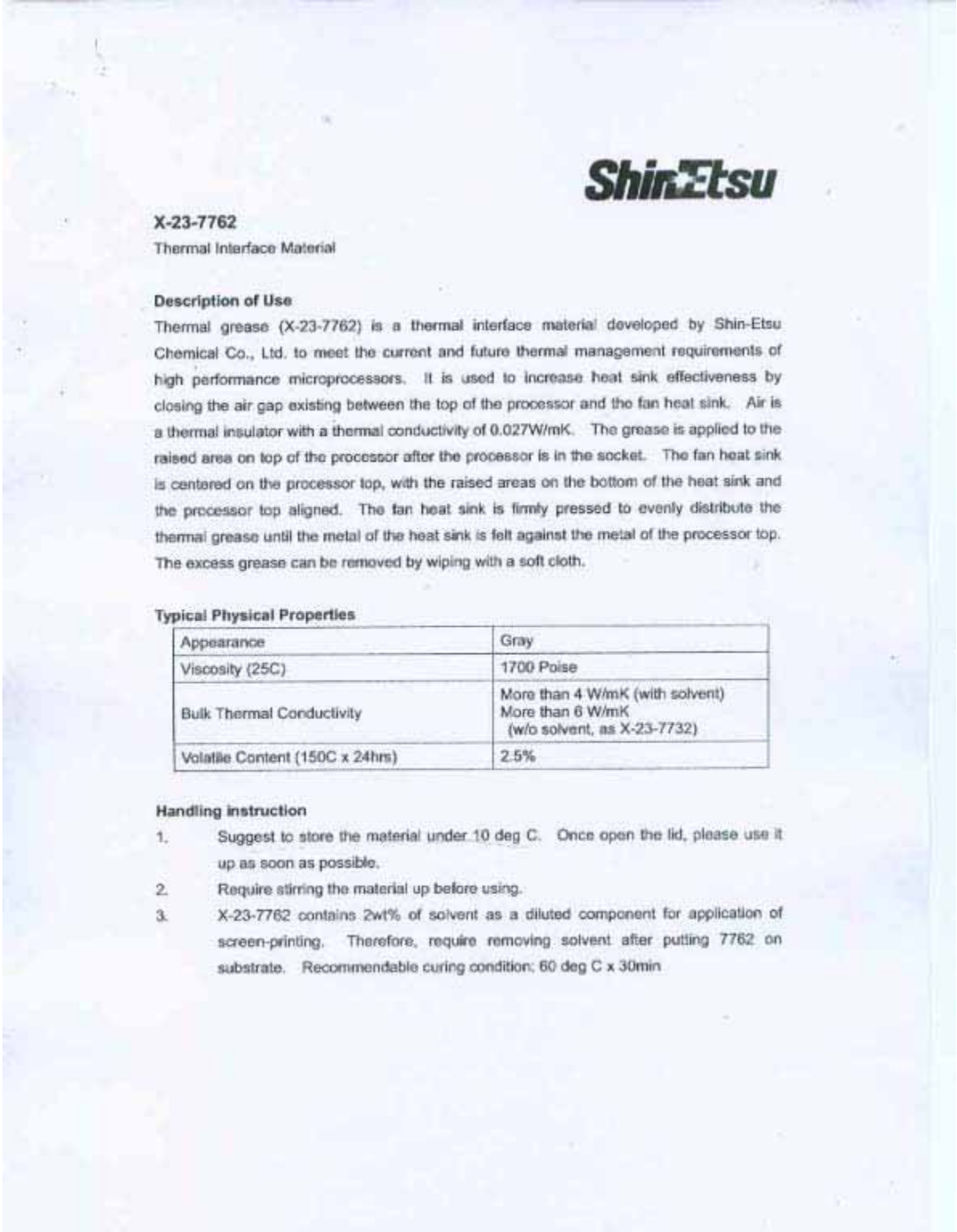
Thickness : 0.1~0.2mm

Specification	Brand
7762	ShinEtsu





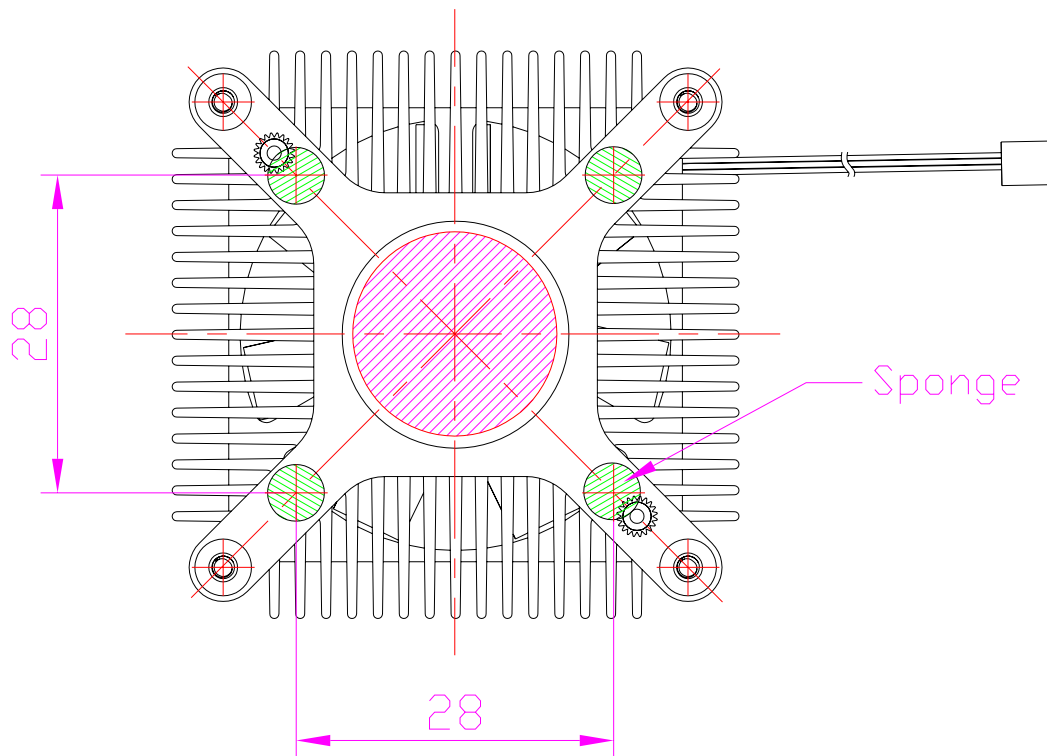
Interface





Sponge

Material : PORON
Color : Black
SIZE mm : ϕ 5mm
Thickness : 1.5 ± 0.1 mm

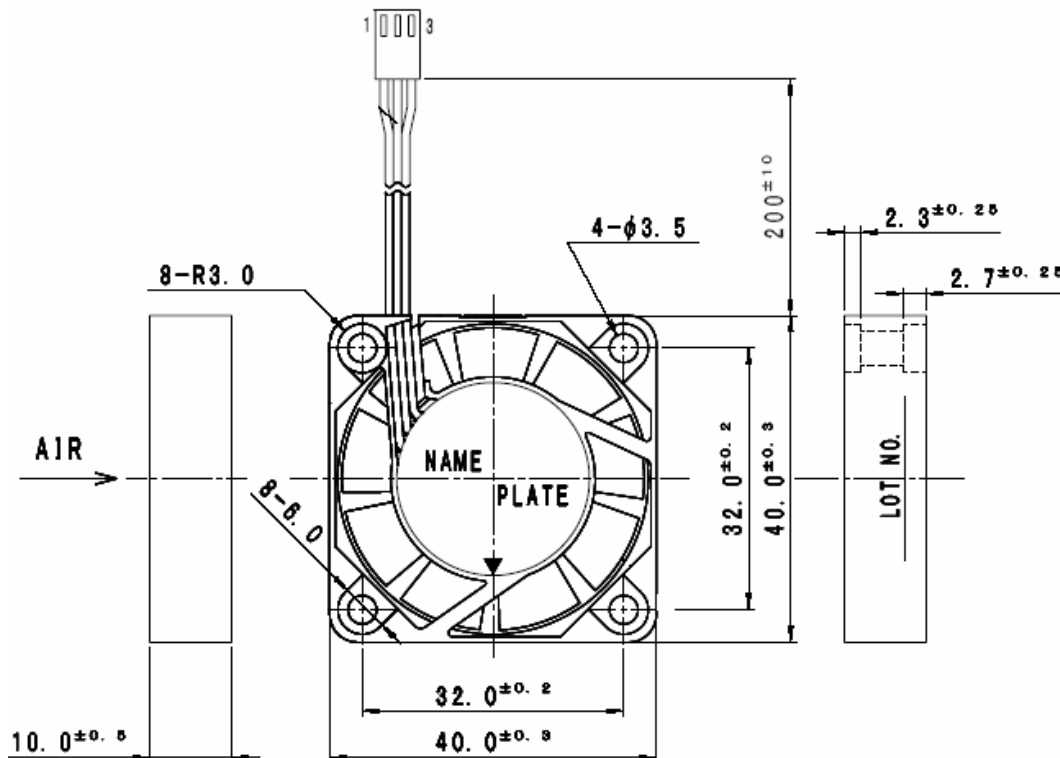




Fan

Physical Characteristics :

Specification	NMB Precise ball bearing system
Dimensions	40 x 40 x 10 mm
Rated Speed	5500 RPM
Rated Voltage	12 VDC
Operating Voltage Range	10.2 – 13.8 VDC
Acoustical Noise	25 dB
Air Flow	0.15 m ³ /min (MAX)
Bearing	Two Ball Bearing





Package

Gift Box Size : 87*87*59 (mm)



Gift Box in carton

15 pcs in one layer.

Total two layers in one carton 30 pcs / ctn.



Carton Size : 461*283*147 (mm)