

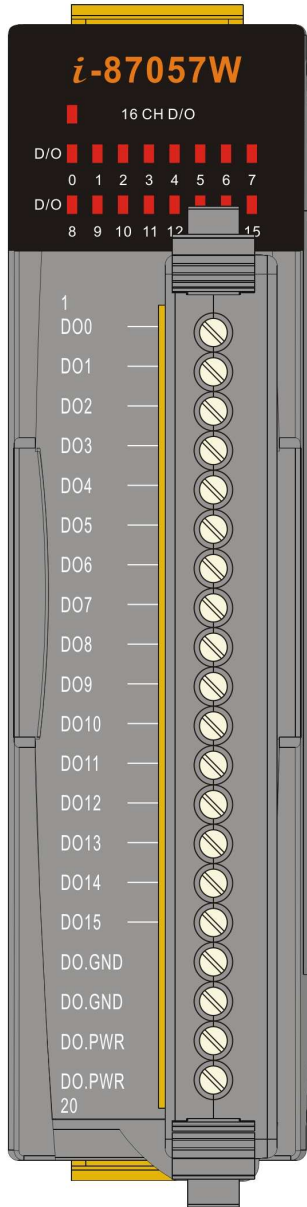
I-87057W Hardware User Guide Ver 1.0

Last Modified 12/04/2006

87057W Specifications

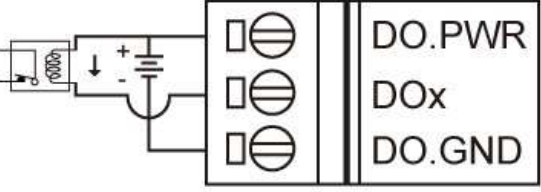
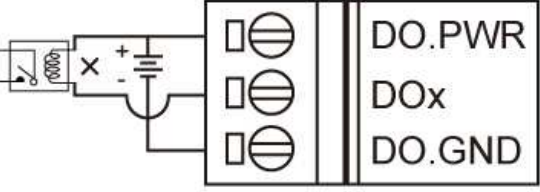
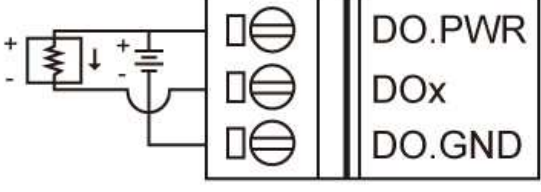

Digital Output Module	
<i>Input Channels</i>	<i>16(Sink)</i>
<i>Max Load Current</i>	<i>100mA per channel</i>
<i>Load Voltage</i>	<i>+5V ~ +30V</i>
<i>Isolation Voltage</i>	<i>3750 Vrms</i>
<i>Power Consumption</i>	<i>1W max.</i>
<i>4KV ESD Protection</i>	<i>Yes, contact for each terminal</i>

I-87057W Pin Assignment



Terminal No.	Pin Assignment Name
01	D00
02	D01
03	D02
04	D03
05	D04
06	D05
07	D06
08	D07
09	D08
10	D09
11	D010
12	D011
13	D012
14	D013
15	D014
16	D015
17	DO.GND
18	DO.GND
19	DO.PWR
20	DO.PWR

I-87057W Wire Connection Type

Output Type	ON State LED ON Readback as 1	OFF State LED OFF Readback as 0
Drive Relay	Relay ON	Relay Off
		
Resistance Load		

I-87057W Internal I/O Structure

