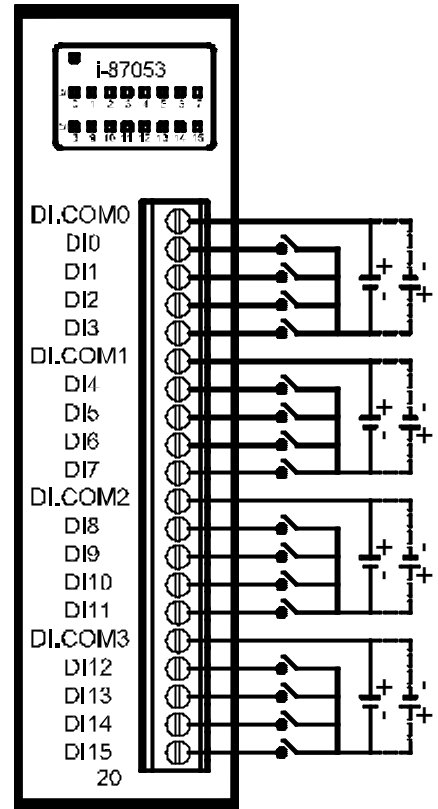


**Specification**

Digital Input Module	
<b>Inputs per module</b>	16 ( sink/source )
<b>Input Type</b>	Isolation DI with DI.COM0~4
<b>Commons per module</b>	4
<b>Input voltage range</b>	30 VDC (peak)
<b>OFF voltage level</b>	1.0 VDC max.
<b>ON voltage level</b>	3.5 VDC min.
<b>Input Impedance</b>	3K Ohms
<b>Isolation Voltage</b>	3750 Vrms
<b>LED Display</b>	1 LED as Power indicator 16 LEDs as DI indicators
<b>Power Requirement</b>	DC 5V, 20mA max.



**I-87053 Wire Connection Type**

Input Type	ON State LED ON Readback as 1	OFF State LED OFF Readback as 0
<b>Relay Contact</b>		
<b>TTL/CMOS Logic</b>		
<b>NPN Output</b>		
<b>PNP Output</b>		

**I-87053 Internal I/O Structure**

