

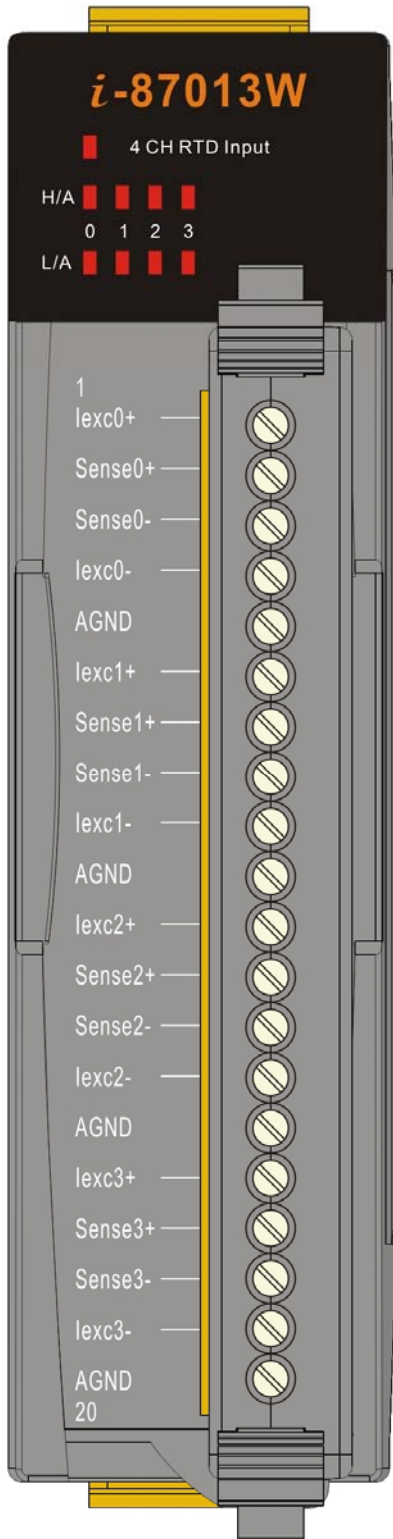
I-87013W Hardware User Guide *Ver. 1.1*

Last Modified 05/07/2007

I-87013W Specifications

| Analog Input Module | |
|---------------------------------|---------------------------------------|
| Input Channels | <i>4 differential</i> |
| Resolution | <i>16bit</i> |
| Input Type | <i>Pt, Ni</i> |
| Wire Connection | <i>2/3/4 wire RTD</i> |
| Sampling Rate | <i>10 samples/second total</i> |
| -3dB Bandwidth | <i>15.7Hz</i> |
| Accuracy | <i>+/- 0.1% of FSR</i> |
| Common Mode Rejection | <i>150dB min</i> |
| Normal Mode Rejection | <i>100dB</i> |
| <i>Isolation Voltage</i> | <i>3000VDC</i> |
| <i>Power Consumption</i> | <i>0.8W max.</i> |

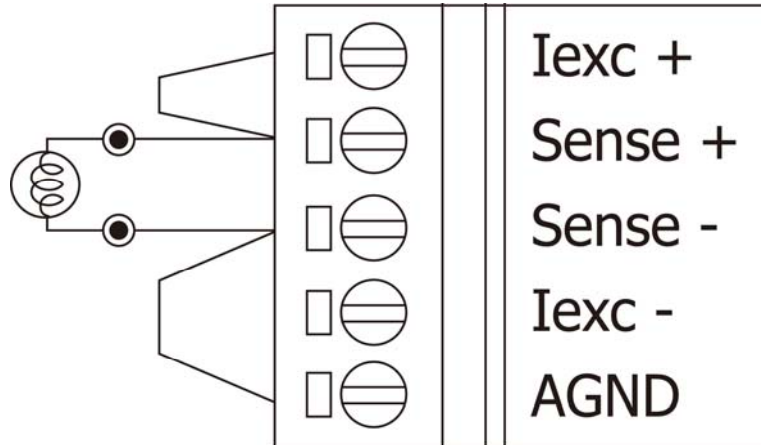
I-87013W Pin Assignment



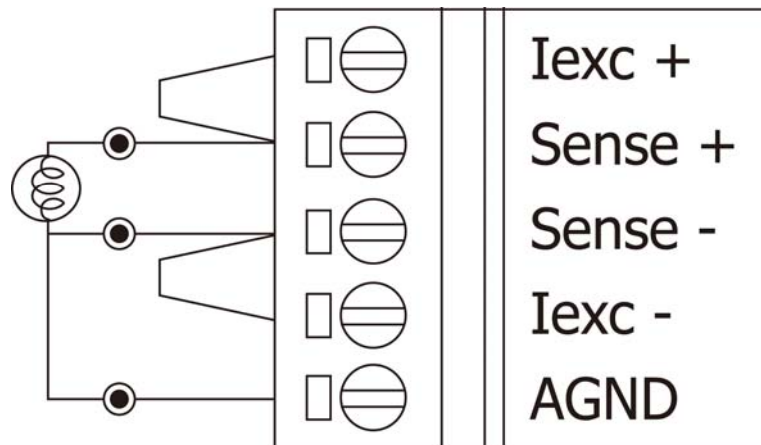
| Terminal No. | Pin Assignment Name |
|--------------|---------------------|
| 01 | lexc0+ |
| 02 | Sense0+ |
| 03 | Sense0- |
| 04 | lexc0- |
| 05 | AGND |
| 06 | lexc1+ |
| 07 | Sense1+ |
| 08 | Sense1- |
| 09 | lexc1- |
| 10 | AGND |
| 11 | lexc2+ |
| 12 | Sense2+ |
| 13 | Sense2- |
| 14 | lexc2- |
| 15 | AGND |
| 16 | lexc3+ |
| 17 | Sense3+ |
| 18 | Sense3- |
| 19 | lexc3- |
| 20 | AGND |

I-87013W Wire Connection Type

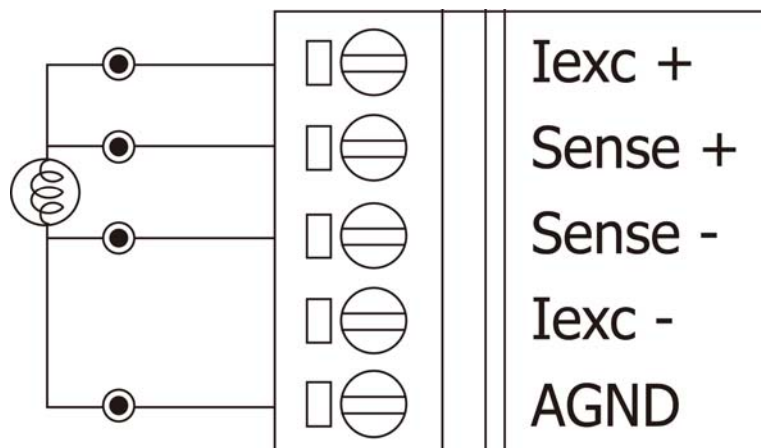
Wiring for 2-wire RTD



Wiring for 3-wire RTD



Wiring for 4-wire RTD



I-87013W Internal I/O Structure

