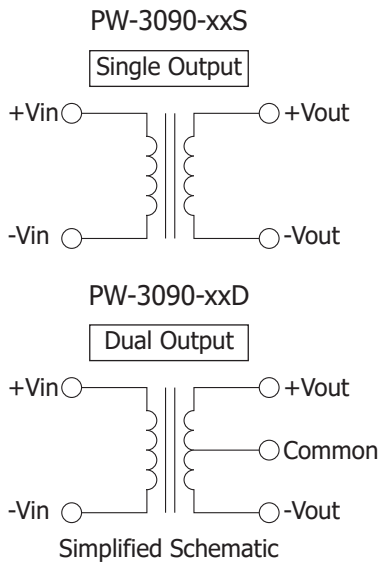


Internal I/O Structure

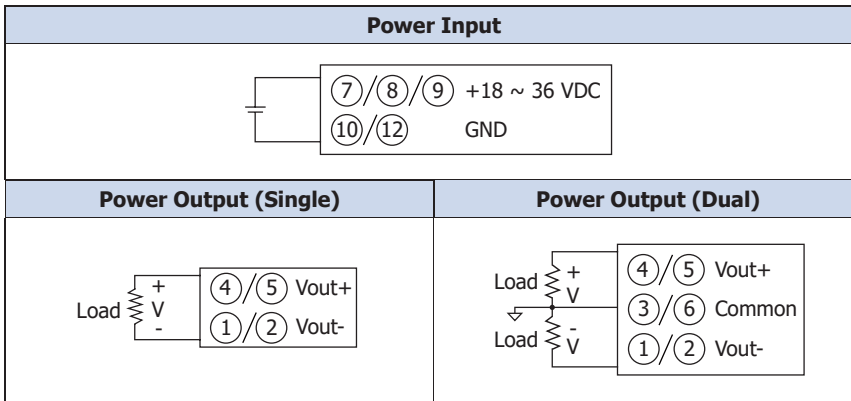


PIN Assignments

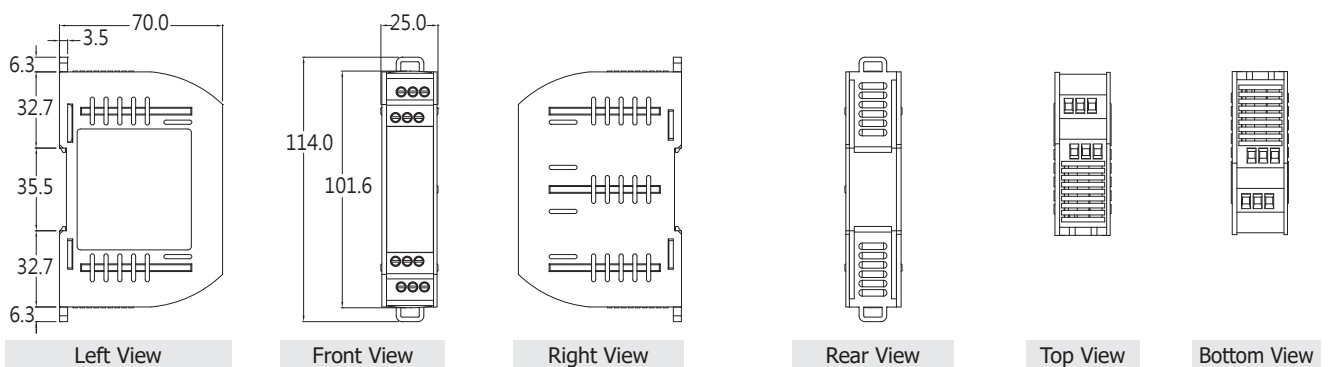


Voltage	Pin	Name
Output	1	-Vout
	2	-Vout
	3	Common
	4	+Vout
	5	+Vout
	6	Common
Input	7	+18 ~ 36 VDC
	8	+18 ~ 36 VDC
	9	+18 ~ 36 VDC
	10	GND
	11	FGND
	12	GND

Wire Connections



Dimensions (Units: mm)



Ordering Information

PW-3090-24S-R CR	Power Conditioner, output voltage +24 VDC @ 400 mA (max.) (RoHS)
PW-3090-15D-R CR	Power Conditioner, output voltage ±15 VDC @ 300 mA (max.) (RoHS)
PW-3090-12S-R CR	Power Conditioner, output voltage +12 VDC @ 800 mA (max.) (RoHS)
PW-3090-5S-R CR	Power Conditioner, output voltage +5 VDC @ 2000 mA (max.) (RoHS)
PW-3090-5D-R CR	Power Conditioner, output voltage ±5 VDC @ 1000 mA (max.) (RoHS)