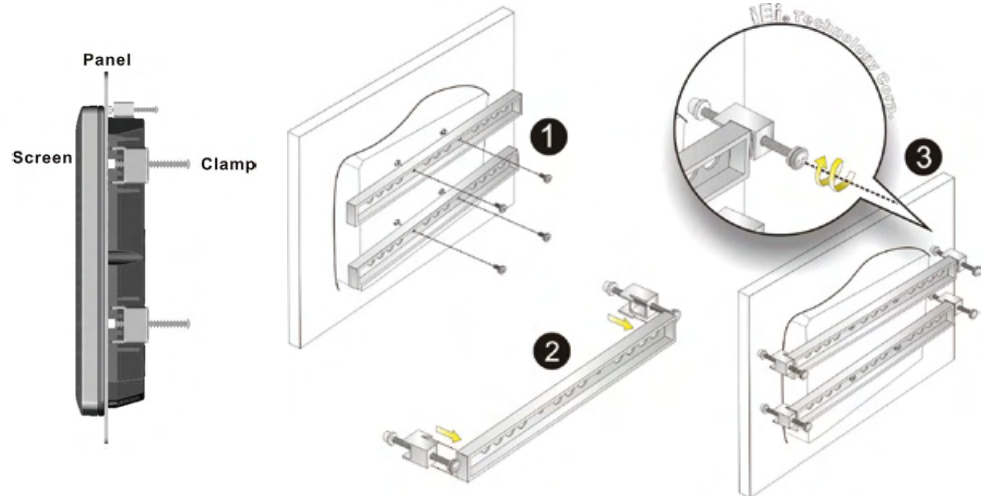
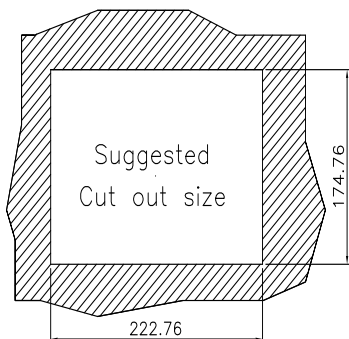


6. Panel Mounting

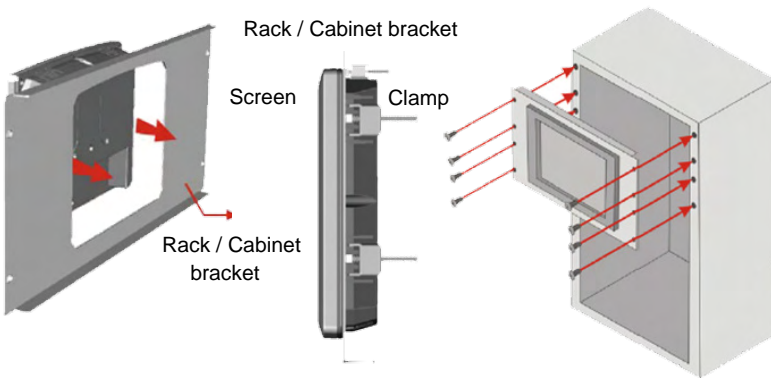
Type A



Type B



7. Rack Mounting



Ordering Information

Part No.	Description
AFLRK-xx	For AFOLUX PPC/Monitor Series

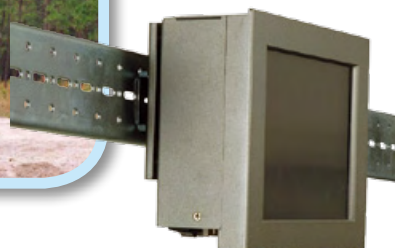
1
IEI Mobile Solutions

2
Automation Panel Solutions

3
PACSmate Medical Solutions

4
Optional Peripherals

8. Din Mounting



Ordering Information

Part No.	Description
DK-84MS	For 6.5"-8.4" Industrial Aluminum Panel PCs/ Industrial Monitors