

# ACE-4860AP

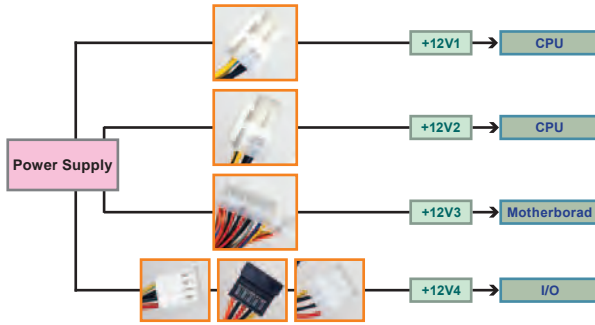
600 W PS/2 Type ATX Power Supply



## Features

1. 600 W for high power consumption RAID / multi-core system
2. High efficiency
3. ATX 2.0 standard with new 20+4-pin ATX power and SATA connector design
4. Overvoltage and overcurrent protection
5. 100% Hi-pot tested
6. Multiple safety and EMC certifications
7. Total +12 V output up to 40 A

### Power Connector + 12 V



## Specifications

|                          |   |  |           |                |
|--------------------------|---|--|-----------|----------------|
| Input                    | Voltage                                     | 90 – 264 VAC Full Range  |           |                |
|                          | Frequency                                   | 47 – 63 Hz   |           |                |
|                          | Input Current                               | 12 A (RMS)@115 VAC, 6 A (RMS)@230VAC                                   |           |                |
|                          | Inrush Current                              | 60 A max for 115 VAC, 150 A max for 230 VAC                            |           |                |
| Output                   | Voltage                                     | Min. load  | Max. load | Ripple & Noise |
|                          | +5 V  | 0 A  | 30 A      | 50 mV P-P      |
|                          | +12 V1                                      | 1 A  | 12 A      | 120 mV P-P     |
|                          | +12 V2                                      | 1 A  | 12 A      | 120 mV P-P     |
|                          | +12 V3                                      | 0.5 A  | 18 A      | 120 mV P-P     |
|                          | +12 V4                                      | 0 A  | 18 A      | 120 mV P-P     |
|                          | -12 V                                       | 0 A  | 1 A       | 120 mV P-P     |
|                          | +3.3 V                                      | 0 A  | 24 A      | 50 mV P-P      |
|                          | +5 Vsb                                      | 0 A  | 3 A       | 50 mV P-P      |
|                          | Over Voltage Protection                     | +12 V: 14.6 V ±10%<br>+5 V: 6.2 V ±10%<br>+3.3 V: 4 V ±10%             |           |                |
| Short Circuit Protection | +3.3 V, +5 V, +12 V shut down and latch off |  |           |                |
| General Specifications   | Watt  | 600 W  |           |                |
|                          | PFC   | Active   |           |                |
|                          | Hold-up Time                                | 16 ms Min.   |           |                |
|                          | Efficiency                                  | 70%  |           |                |
|                          | MTBF  | 100,000 hours  |           |                |
|                          | Temperature                                 | Operating: 0 – 50°C (40 – 50°C derating curve)<br>Storage: -40 – 70°C  |           |                |
|                          | Dimensions                                  | 140 x 150 x 86 (mm), 5.51 x 5.91 x 3.39 (inch)                         |           |                |
|                          | Output Connector                            | 1 x 20+4-pin ATX, 1 x 4-pin 12 V CPU, 9 x HDD/CDROM, 1 x FDD, 2 x SATA |           |                |

## Ordering Information

| Part No.          | Description                                 |
|-------------------|---|
| ACE-4860AP-R11-RS | 600 W AC-DC PS/2 ATX power supply, with PFC |

# ACE-4840APM

400 W PS/2 Medical Type ATX Power Supply



**Medical**

New Version 20+4 Pins Power Supply



## Features

1. Internal 8 cm fan
2. Meets medical safety standards
3. Line input fuse protection
4. Output overvoltage protection
5. Short circuit protection on all outputs
6. Total +12 V output up to 34 A

PICMG1.0 Form Factor Backplane

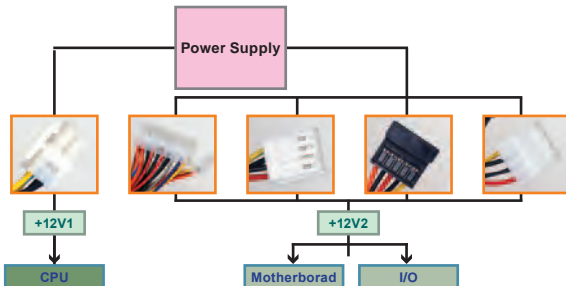


20+4-pin ATX power connector

PICMG1.3 Form Factor Backplane PE-10S/6S



### Power Connector + 12 V



## Specifications

|                       |  |  |           |                |
|-----------------------|--|--|-----------|----------------|
| Input Voltage         | 90 – 265 VAC Full Range  |  |           |                |
| Input Frequency       | 47 – 63 Hz   |  |           |                |
| Input Current         | 8 A (RMS) for 115 VAC, 4 A (RMS) for 230 VAC   |  |           |                |
| Inrush Current        | 60 A MAX. for 115 VAC, 100A MAX. for 230 VAC   |  |           |                |
| Output Voltage        | Voltage  | Min. load  | Max. load | Ripple & Noise |
|                       | +3.3 V   | 0.5 A min  | 30 A      | 50 mV          |
|                       | +5 V   | 0.3 A min  | 30 A      | 50 mV          |
|                       | +12 V1   | 1 A min  | 17 A      | 120 mV         |
|                       | +12 V2   | 1 A min  | 17 A      | 120 mV         |
|                       | -5 V   |  | 0.3 A     | 100 mV         |
|                       | -12 V  |  | 0.8 A     | 120 mV         |
|                       | +5 V sb  |  | 2 A       | 50 mV          |
|                       | +3.3 V & +5 V total output not exceed 180 W<br>+3.3 V & +5 V & +12 V total output not exceed 380 W |  |           |                |
|                       | Overvoltage Protection   | +5 V: 5.7 V ~ 6.5 V<br>+3.3 V: 3.7 V ~ 4.5 V<br>+12 V: 13.3 V ~ 15.6 V |           |                |
| Hold Up Time          | 20 ms min.   |  |           |                |
| MTBF                  | 100,000 hours  |  |           |                |
| Operating Temperature | 0°C – 50°C   |  |           |                |
| Storage Temperature   | -20°C – 80°C   |  |           |                |
| Efficiency            | 68%  |  |           |                |
| Dimensions            | 140 mm x 150 mm x 86 mm  |  |           |                |
| Outline Connector     | 1 x 20+4-pin ATX, 1 x 4-pin 12V CPU, 5 x HDD/CDROM, 2 x FDD, 2 x SATA, 1 x Extra +5V (P10)         |  |           |                |

## Ordering Information

| Part No.       | Description   |
|----------------|---|
| ACE-4840APM-RS | 400 W AC-DC PS/2 ATX Power Supply, meets Medical standard, with PFC |