

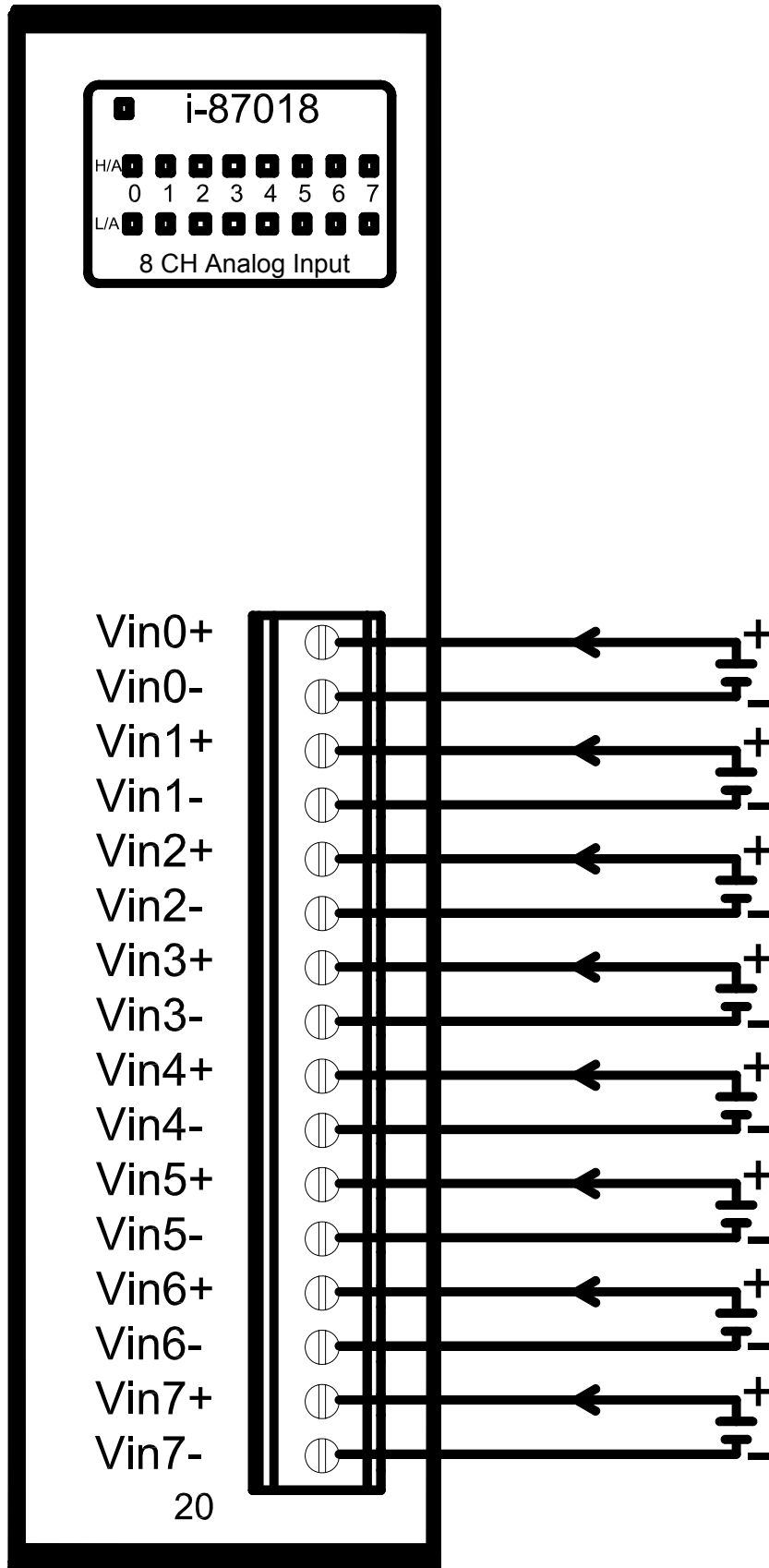
I-87018 Hardware User Guide *Ver 1.1*

Last Modified 05/07/2007

87018 Specifications

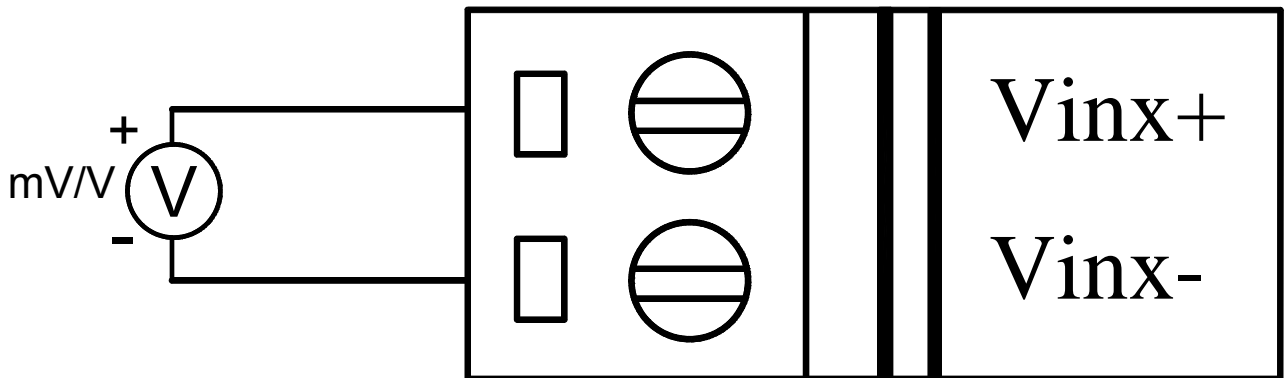
Analog Input Module	
<i>Input Channel</i>	<i>8 differential input channels</i>
<i>Input Type</i>	<i>mV, V</i> <i>mA(with external 125 Ohms resistor)</i> <i>Thermocouple : J, K, T, E, R,</i> <i>S, B, N, C, L, M, L2</i>
<i>Sampling Rate</i>	<i>10 samples/second total</i>
<i>-3dB BandWidth</i>	<i>15.7Hz</i>
<i>Accuracy</i>	<i>+/-0.1%</i>
<i>Common Mode Rejection</i>	<i>150dB @50/60Hz</i>
<i>Normal Mode Rejection</i>	<i>100dB @50/60Hz</i>
<i>Voltage Input Impedance</i>	<i>20M Ohms</i>
<i>Over Voltage Protection</i>	<i>-35V to +35V max.</i>
<i>Power Consumption</i>	<i>1.0W</i>

I-87018 Wire Connection

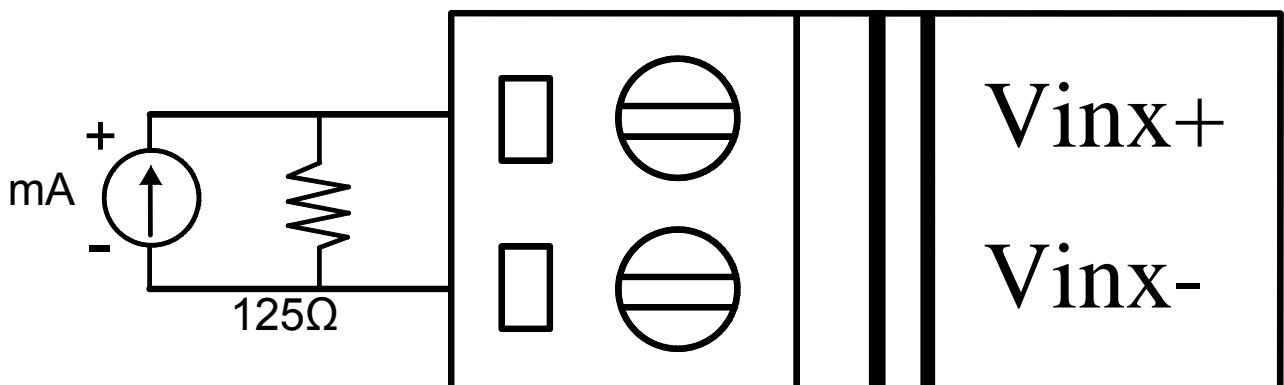


I-87018 Wire Connection Type

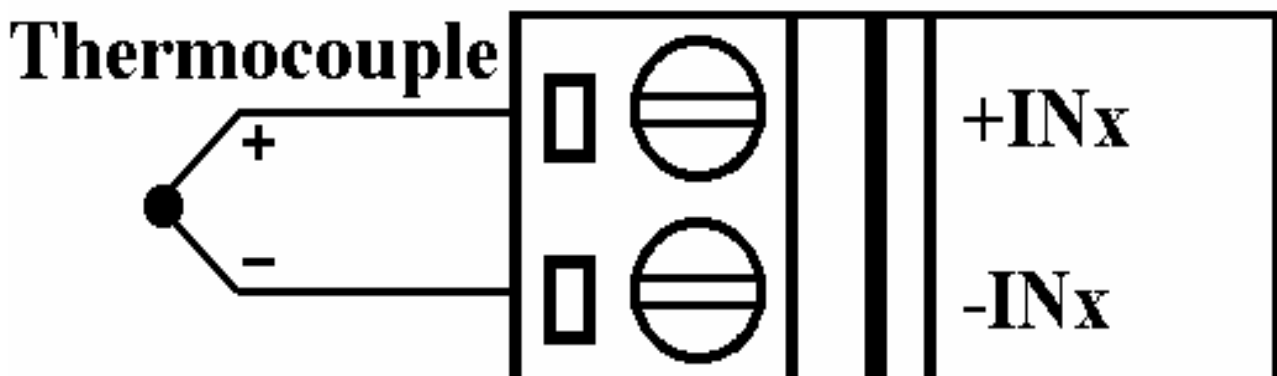
Voltage Input Wiring



Current Input Wiring



Thermocouple Input Wiring



I-87018 Internal I/O Structure

