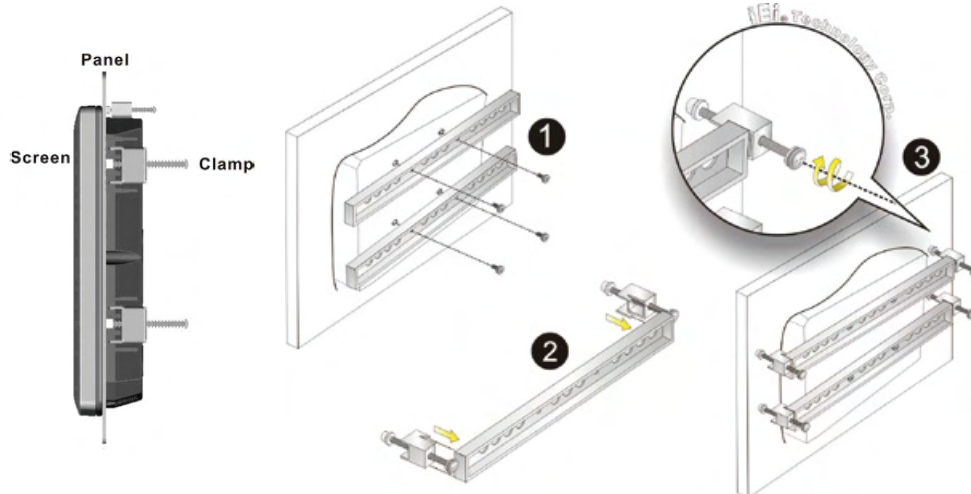
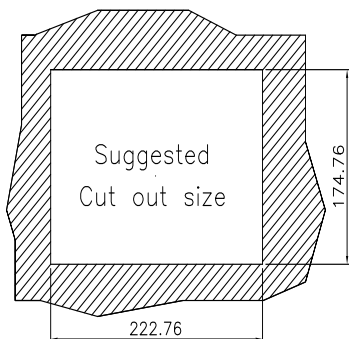


6. Panel Mounting

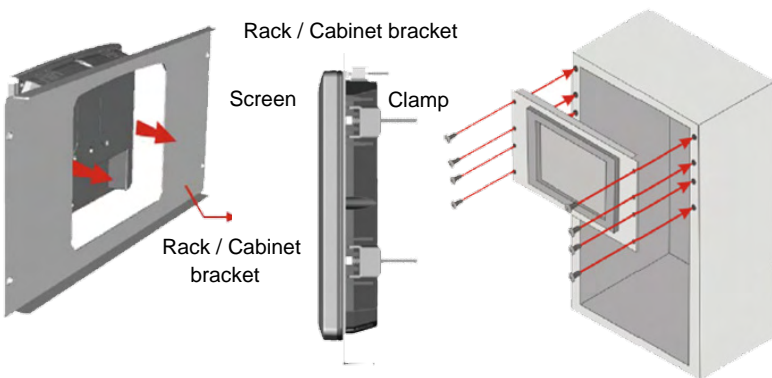
Type A



Type B



7. Rack Mounting



Ordering Information

| Part No. | Description |
|----------|-------------------------------|
| AFLRK-xx | For AFOLUX PPC/Monitor Series |

1

IEI Mobile Solutions

2

Automation Panel Solutions

3

PACSmate Medical Solutions

4

Optional Peripherals

8. Din Mounting



Ordering Information

| Part No. | Description |
|----------|--|
| DK-84MS | For 6.5"-8.4" Industrial Aluminum Panel PCs/ Industrial Monitors |