



PCIR-K01R

One slot PCI riser card
89.1x62.8x16 mm
PCI 2.2 standard with 32-bit 5V support



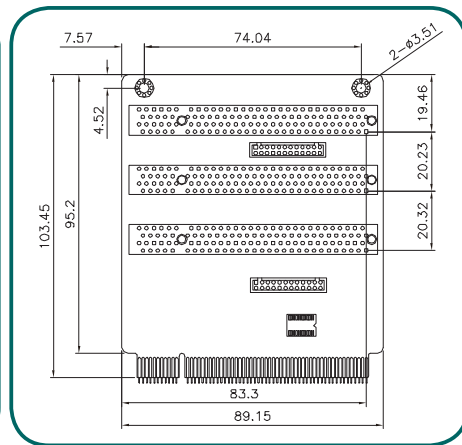
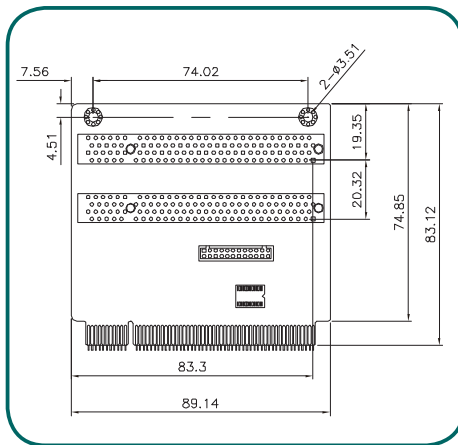
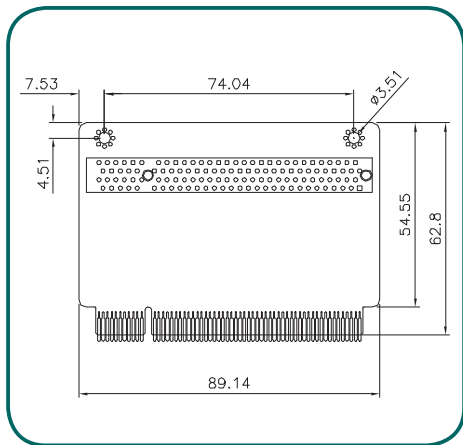
PCIR-K02R

Two slot PCI riser card
89.1x83.1x16 mm
PCI 2.2 standard with 32-bit 5V support



PCIR-K03R

Three slot PCI riser card
89.1x103.4x16 mm
PCI 2.2 standard with 32-bit 5V support



ICP Deutschland GmbH
Industrial Computer Products
Humboldtstr. 36
D – 70771 Leinfelden-Echterdingen

Tel.: +49 (0)711-45 96 00 30
Fax: +49 (0)711-45 96 00 50
<http://www.icp-deutschland.de>
info@icp-deutschland.de

