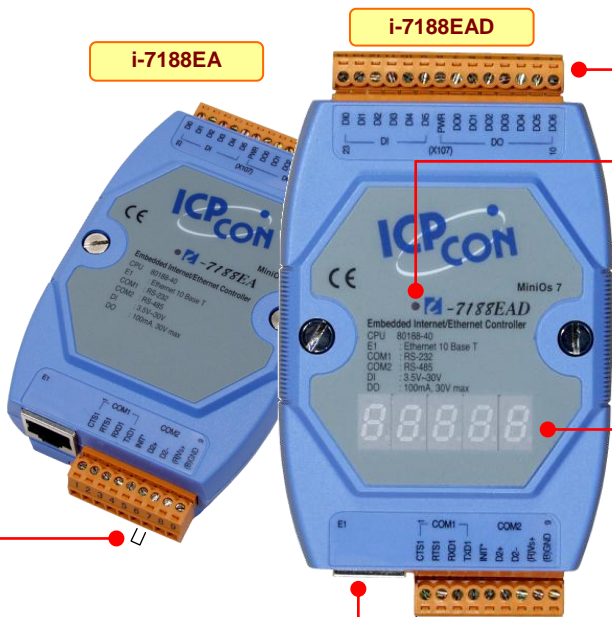


i-7188EA / i-7188EAD

Ethernet PAC – with DI/DO



Main Features

- 80188-40 embedded CPU
- 10BASE-T NE2000 compatible Ethernet
- OS: MiniOS7
- 512K SRAM, 512K Flash, 2K EEPROM
- Built-in RTC, NVRAM, EEPROM
- COM port : RS-232, RS-485
- Built-in 6 DI & 7 DO channels**
- Power / Communication Indicator LED
- 5-digit 7-segment LED Display

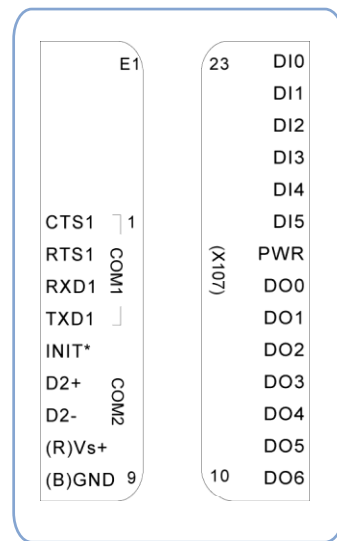
CE FC RoHS

Ethernet Port : 10 Base-T
To PC (Program download)
Modbus TCP/RTU/ASCII
TCP, UDP, IP, ICMP, ARP

COM1 : RS-232
To PC (Program download)
Modbus TCP/RTU/ASCII

COM2 : RS-485 (D/A, A/D, DI/O, Relay, Counter, Frequency)
Remote I/O module: **I-7000** (DCON Protocol)
M-7000 (Modbus Protocol)
I/O Expansion Unit: **RU-87Pn + i-87K I/O module** (High profile)
I-87Kn + i-87K I/O module (Low profile)

Pin Assignments



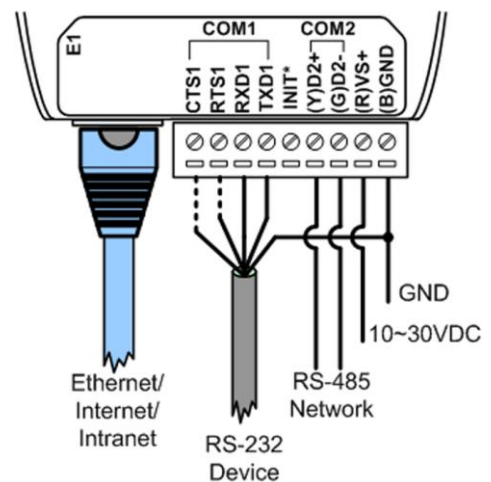
Features / Applications

- Supports a variety of TCP/IP features, including TCP, UDP, IP, ICMP, ARP
- Re-loadable OS, software, application programs
- Remote Configuration / Maintenance
- Diagnostics
- 64-bit hardware unique serial number inside
- COM driver support interrupt & 1K QUEUE Input & Output buffer
- Built-in 6 digital input channels & 7 open-collector output channels
- Built-in self-tuner ASIC controller on RS-485 port
- Program download port: COM1 or Ethernet Port

Expansion Board Selection Guide

Note: i-7188EA/EAD is built-in with an X-107 board (6 DI & 7 DO channels), so it does not support any other I/O expansion board.

Wiring



Specifications

Series : Palm-size PAC > 1st Generation > i-7188E > i-7188EA/EAD

PACs	i-7188EA	i-7188EAD
■ CPU		
CPU	80188, 40MHz or compatible	
SRAM	512K bytes	
Flash Memory	512K bytes	
EEPROM	2K Bytes	
NVRAM	31 Bytes (battery backup, data valid up to 10 year)	
RTC (Real Time Clock)	Yes	
64-bit Hardware Serial Number	Yes	
Built-in Watchdog Timer	Yes	
■ Communication Interface		
COM1	RS-232 (TXD, RXD, RTS, CTS, GND); Non-isolation	
COM2	RS-485 (D2+, D2-); self-tuner ASIC inside; Non-isolation	
Ethernet Port	10BASE-T NE2000 compatible Ethernet Controller	
■ COM Port Formats		
Baud rate	115200 bps Max.	
Data bit	7, 8	
Parity	Even, Odd, None	
Stop bit	1	
■ LED Display		
5-Digit 7 Segment LED Display	--	Yes
System LED Indicator	Yes	
■ Digital Input		
Output Channels	6	
On Voltage Level	+3.5V/DC to +30V/DC Max. (-20°C to +70°C); +3.5V/DC to +25V/DC Max. (-20°C to +75°C)	
Off Voltage Level	+1V/DC Max. (Connect to GND)	
■ Digital Output		
Input Channels	7	
Output Type	Open-collector	
Max Load Current	100mA	
Load Voltage	+30V/DC Max.	
■ Dimensions		
L x H x D	123mm x 72mm x 33mm	
■ Operating Environment		
Operating Temperature	-25°C to +75°C	
Storage Temperature	-40°C to +80°C	
■ Power		
Protection	Power reverse polarity protection	
Required Supply Voltage	+10 to +30V/DC (non-regulated)	
Power consumption	2W	3W

3

Palm-size PAC - μPAC

μPAC
7186
EXμPAC
7186
EGμPAC
7186
XGμPAC
7186
XBi-
7188
Ei-
7188
Gi-
7188
X

Ordering Information

Model Number	Description	* All orders include download utility, download cable and manual.
I-7188EA CR	10M Ethernet palm-size PAC, 80188-40 CPU, MiniOS7, 512K SRAM, 6 DI, 7 DO (RoHS)	
I-7188EAD CR	10M Ethernet palm-size PAC, 80188-40 CPU, 512K SRAM, 6 DI, 7 DO, LED display (RoHS)	
Optional Accessories		
PWR-24/110	Wall-plug power Adapter / 110VAC, 60Hz, 4.8W	
GPSU06U-6	Wall-plug power Adapter / 100-240VAC, 50/60Hz, 6W	
DIN-KA52F	1.05 Amp. DIN-Rail Mounting Power supply	
RU-87P1 / 2 / 4 / 8	1 / 2 / 4 / 8 slots I/O expansion unit	
NS-208 CR / NS-205 CR	Industrial Ethernet Switch, unmanaged 8-Port / 5-port, 10/100 Base-T with Plastic Case (RoHS)	