

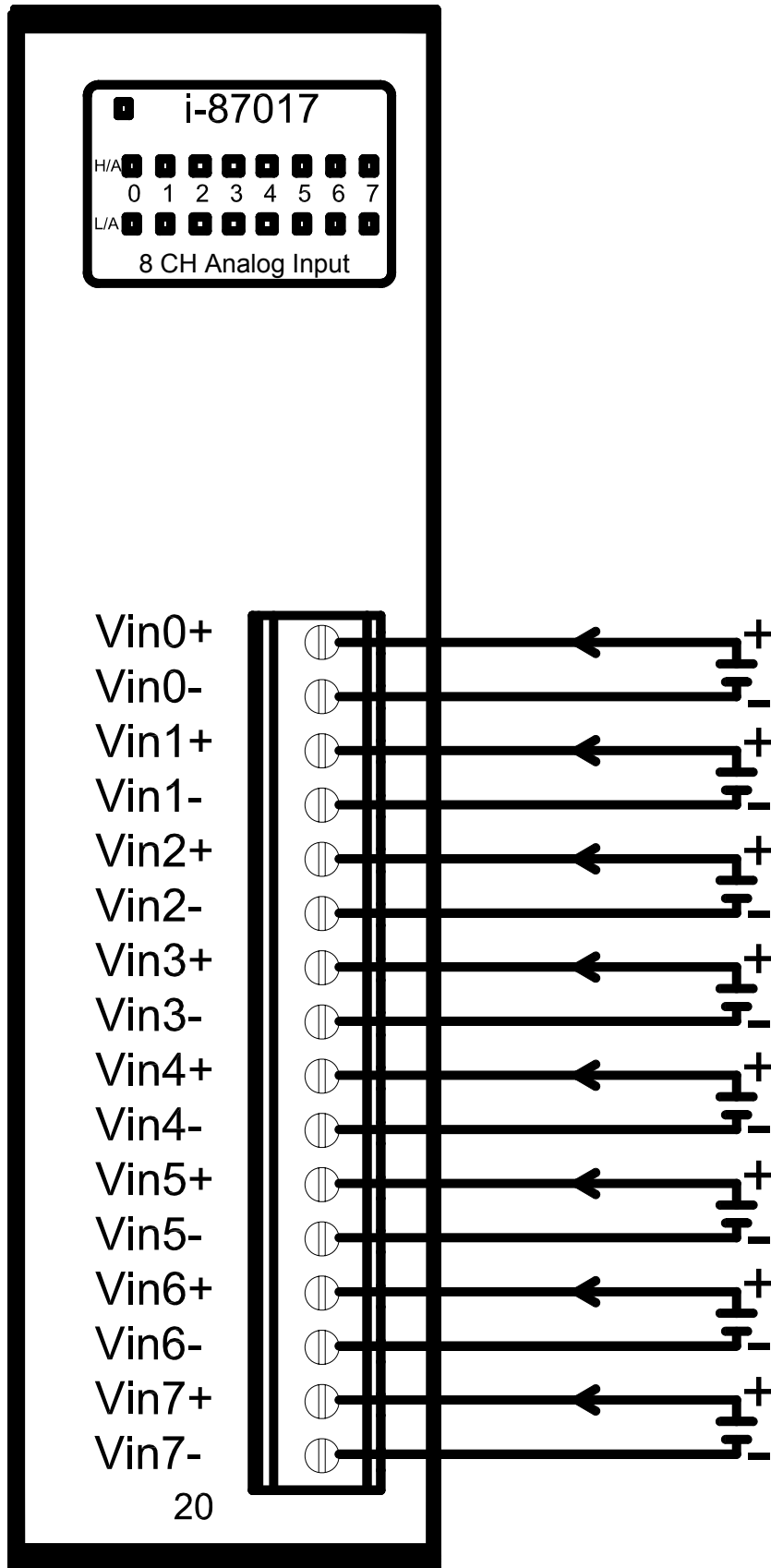
# I-87017 Hardware User Guide *Ver 1.1*

*Last Modified 05/07/2007*

## **87017 Specifications**

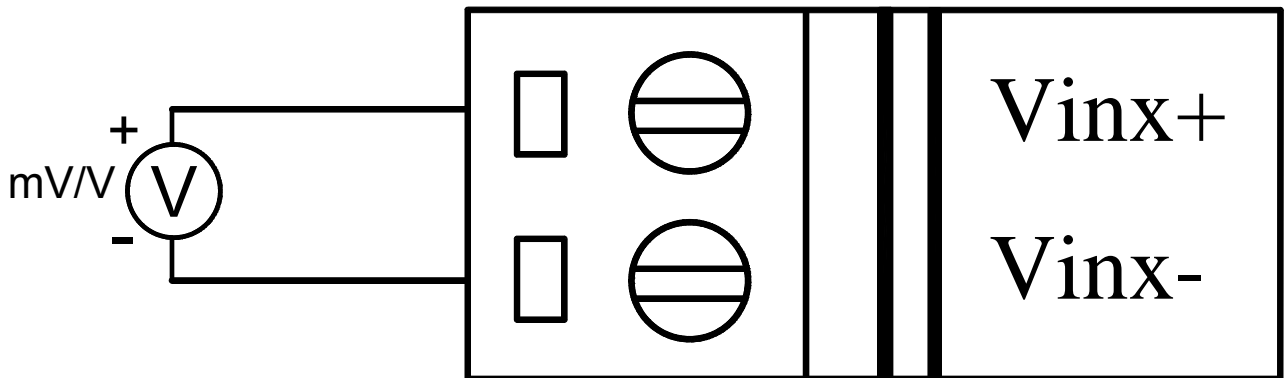
<b>Analog Input Module</b>	
<b><i>Input Channel</i></b>	<b><i>8 differential input channels</i></b>
<b><i>Input Type</i></b>	<b><i>mV, V</i></b> <b><i>mA(with external 125 Ohms resistor)</i></b>
<b><i>Sampling Rate</i></b>	<b><i>10 samples/second total</i></b>
<b><i>-3dB Bandwidth</i></b>	<b><i>15.7Hz</i></b>
<b><i>Accuracy</i></b>	<b><i>+/-0.1%</i></b>
<b><i>Common Mode Rejection</i></b>	<b><i>86dB</i></b>
<b><i>Voltage Input Impedance</i></b>	<b><i>20M Ohms</i></b>
<b><i>Over voltage Protection</i></b>	<b><i>-35V to +35V max.</i></b>
<b><i>Isolation Voltage</i></b>	<b><i>3000Vrms</i></b>
<b><i>Power Consumption</i></b>	<b><i>1.8W max.</i></b>

# I-87017 Wire Connection

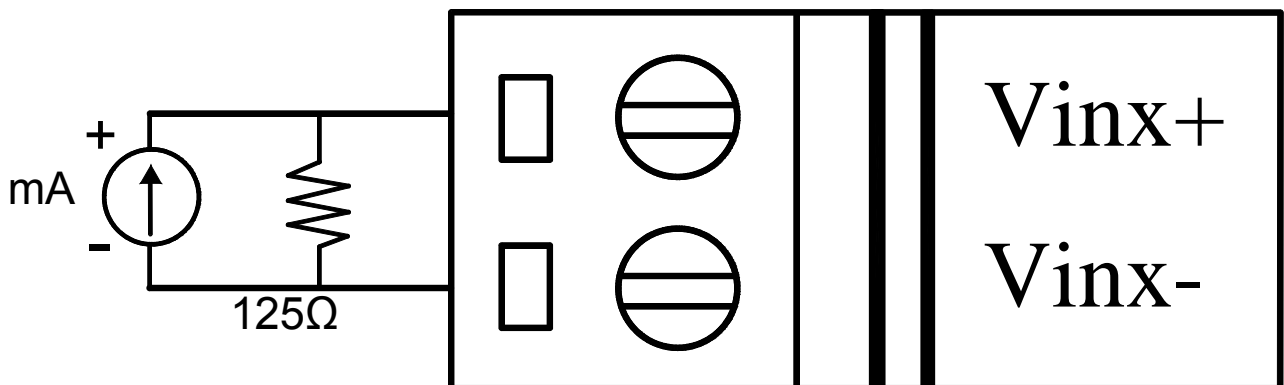


# *I-87017 Wire Connection Type*

## *Voltage Input Wiring*



## *Current Input Wiring*



# I-87017 Internal I/O Structure

