

I-7560

USB to RS-232 Converter



Features ▶▶▶

- Fully Compliant with the USB 1.1/2.0 (High Speed)
- Driver Supports Windows 98/ME/2000/XP/Vista 7 (32/64-bit)/Linux
- No External Power Supply required
- Operating Temperatures, -25 °C ~ +75 °C

Introduction

The I-7560 provides a Windows serial COM port via its USB connection and is compatible with new and legacy RS-232 devices. USB Plug-and-Play allows easy serial port expansion and requires no IRQ, DMA, or I/O port settings manually.

The I-7560 features a full set of RS-232 modem data and control signals (TxD, RxD, RTS, CTS, DSR, DTR, DCD, RI and GND) on its PC compatible DB-9 male connector. It also features a high-speed 115200 bps transmission rate.

The I-7560 is powered from the USB bus and no additional power supply is needed.

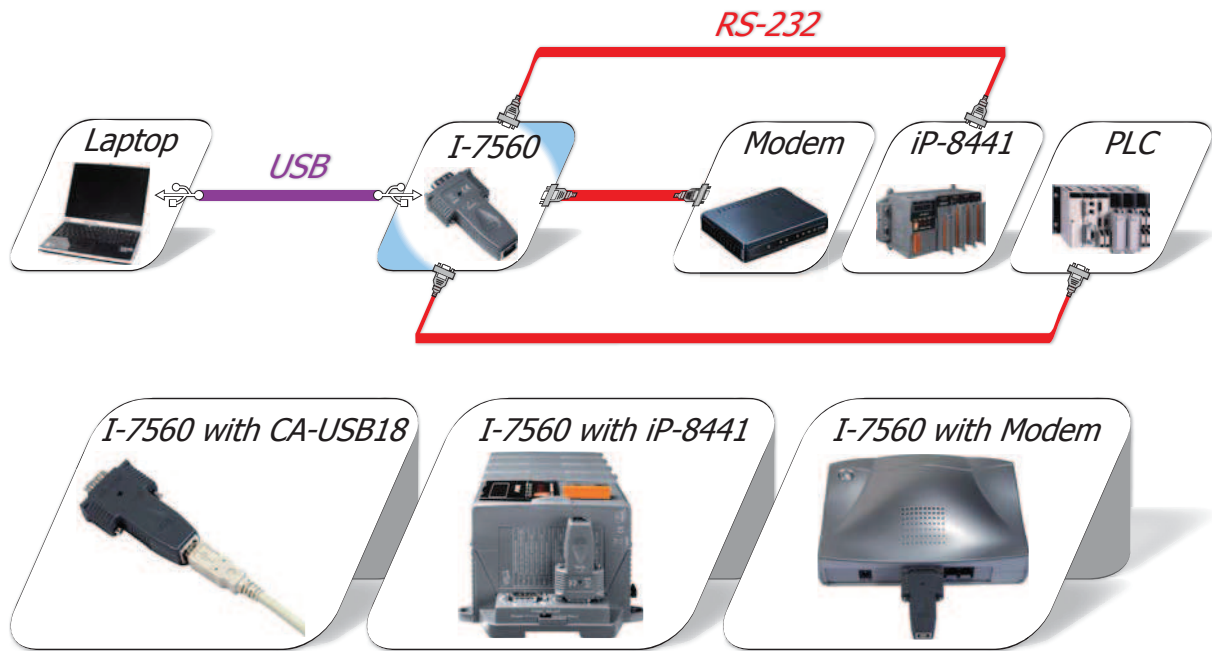
Software

Driver	Windows 98/ME/2000/XP/Vista (32/64-bit)/7 (32/64-bit)/Linux
--------	---

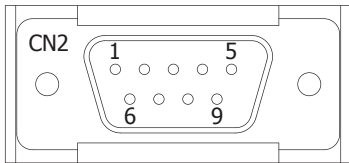
System Specifications

Interface		
USB	Compatibility: USB 1.1 and 2.0 standards	
RS-232	TxD, RxD, RTS, CTS, DSR, DTR, DCD, RI and GND; non-isolated	
Speed	300 ~ 115200 bps	
Connector	RS-232	9-Pin Male D-Sub
	USB	Type B
Cable Included	CA-USB18 (1.8 m Cable) x 1	
LED Indicators		
Power	Yes	
Power		
Input Voltage Range	+5 V _{bc} from USB	
Power Consumption	0.3 W	
Mechanical		
Casing	Plastic	
Flammability	Fire-Retardant Materials (UL94-V0 Level)	
Dimensions (W x H x D)	33 mm x 60 mm x 15 mm	
Environment		
Operating Temperature	-25 °C ~ +75 °C	
Storage Temperature	-30 °C ~ +75 °C	
Humidity	10 ~ 90% RH, non-condensing	

Applications

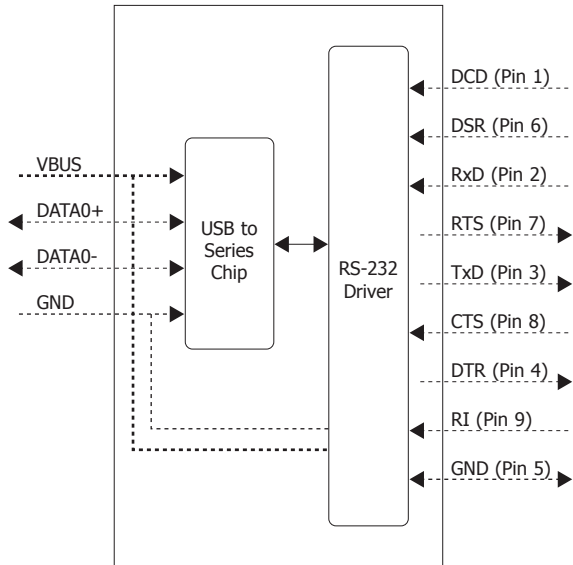


Pin Assignments

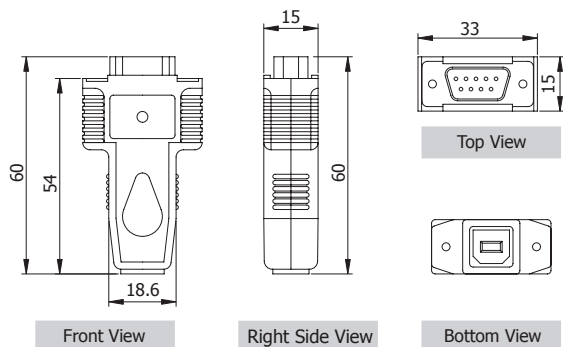


Pin	Signal	Mode
01	DCD Data Carrier Detect	Input
02	RxD Receive Data	Input
03	TxD Transmit Data	Output
04	DTR Data Term Ready	Output
05	GND Ground	--
06	DSR Data Set Ready	Input
07	RTS Request To Send	Output
08	CTS Clear To Send	Input
09	RI Ring Indicator	Input

Internal I/O Structure



Dimensions (Unit: mm)



Ordering Information

I-7560 CR	USB to RS-232 Converter (RoHS)
-----------	--------------------------------

Accessories

USB-2560 CR	Industrial 4-port USB 2.0 Hub
CA-USB18	USB Type A to Type B Cable