

I-7063A

I-7063AD

4-channel Isolated DI and 4-channel Relay Output Module

Features

- 8 Digital Inputs and 3 AC SSR Outputs
- Source and Sink Type for DI
- Fast Response Time
- Bounceless Operation and Increased Lifetime
- 4 kV ESD Protection
- DI Can Be Used As 16-bit Counters
- Configurable Power-on Value Settings
- Configurable Safe Value Settings
- 3750 V_{rms} Isolation Voltage
- Dual Watchdog
- Wide Operating Temperature Range: -25 ~ +75°C



Introduction

The I-7063A offers 8-channel digital inputs and 3-channel Form A AC SSR outputs. Unlike electromechanical relays, SSRs has faster response time, bounceless operation and increased lifetime. It can be used in explosive environments where a spark must not be generated during turn-on. Moreover, you can choose either sink type or source type of digital input via wire connections. All Input channels are able to be used as 16-bit counters. I-7063AD also has 11 LED indicators for power relay outputs and digital inputs status monitoring. 4 kV ESD protection and 3750 V_{rms} isolation voltage are standard.

Applications

Building Automation, Factory Automation, Machine Automation, Remote Maintenance, Remote Diagnosis, Testing Equipment.

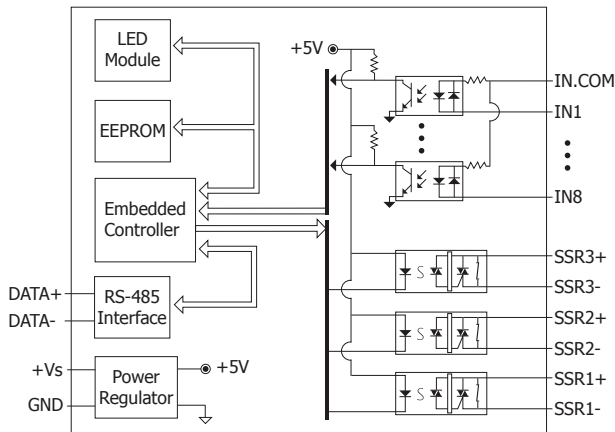
System Specifications

Models	I-7063A	I-7063AD
Communication		
Interface	RS-485	
Format	N, 8, 1	
Baud Rate	1200 ~ 115200 bps	
Protocol	DCON	
Dual Watchdog	Yes, Module (1.6 Seconds), Communication (Programmable)	
LED Indicator/Display		
System LED Indicator	Yes, 1 LED as Power/Communication Indicator	
I/O LED Indicator	-	Yes
7-Segment LED Display	-	
Isolation		
Intra-Module Isolation, Field-to-Logic	3750 V _{rms}	
EMS Protection		
ESD (IEC 61000-4-2)	4 kV Contact for Each Terminal	
	8 kV Air for Random Point	
EFT (IEC 61000-4-4)	+/-2 kV	
Power		
Reverse Polarity Protection	Yes	
Input Range	10 ~ 30 V _{dc}	
Consumption	0.7 W	1.5 W
Mechanical		
Dimensions (W x L x H)	72 mm x 123 mm x 35 mm	
Installation	DIN-Rail or Wall Mounting	
Environment		
Operating Temperature	-25 ~ +75°C	
Storage Temperature	-40 ~ +85°C	
Humidity	10 ~ 95% RH, Non-condensing	

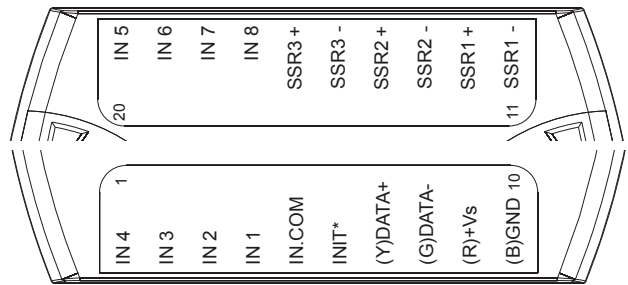
I/O Specifications

Models	I-7063A	I-7063AD
SSR AC Output		
Channels	3	
Type	AC-SSR (Form A)	
Operating Voltage Range	24 ~ 265 V _{rms}	
Max. Load Current	1.0 A	
Leakage Current	1.5 mA	
Min. Operate Time	1 ms	
Min. Release Time	1/2 cycle + 1 ms	
Dielectric Strength	2500 V _{rms}	
Electrical Endurance	Long Life and No Spike	
Power-on Value	Yes	
Safe Value	Yes	
Digital Input/Counter		
Channels	8	
Contact	Wet	
Sink/Source (NPN/PNP)	Sink/Source	
On Voltage Level	+1 V _{dc} Max.	
Off Voltage Level	+4 ~ 30 V _{dc}	
Counters	Max. Count	65535 (16-bit)
	Max. Input Frequency	100 Hz
	Min. Pulse Width	5 ms
Input Impedance	3 kΩ	

Internal I/O Structure



Pin Assignments



Wire Connections

Digital Input/Counter	ON State Readback as 1 OPEN or <1 Vdc	OFF State Readback as 0 +4 ~ +30 Vdc
Sink		
Source		
Output Type	ON State Readback as 1	OFF State Readback as 0
Relay Output		

Ordering Information

I-7063A CR	4-channel Isolated DI and 4-channel Relay Output Module with DCON Protocol (Blue Cover) (RoHS)
I-7063AD CR	I-7060D with LED Display (Blue Cover) (RoHS)

Accessories

	tM-7520U CR	RS-232 to RS-485 converter (RoHS)
	tM-7561 CR	USB to RS-485 converter (RoHS)
	tM-SG4 CR	RS-485 Pull-high/Pull-low and Termination Resistor Module (RoHS)

	I-7514U CR	4-channel RS-485 Hub (RoHS)
	SG-770 CR	7 channel differential or 14 channel single-ended surge protector (RoHS)
	SG-3000 series	Signal Conditioning Modules for Thermocouple, RTD, DC Voltage, DC Current and Power Inputs