

I-7067(D)

M-7067(D)

7-channel Relay Output Module

Features

- 7 Form A Power Relay
- Configurable Power-on Value Settings
- Configurable Safe Value Settings
- Dual Watchdog
- Wide Operating Temperature Range: -25 ~ +75°C



Introduction

The I-7067 features 7-channel Form A power relay outputs. The I-7067D also has 7 LED indicators for power relay outputs. There are options for Power-on value and safe value for your consideration.

Applications

Building Automation, Factory Automation, Machine Automation, Remote Maintenance, Remote Diagnosis, Testing Equipment.

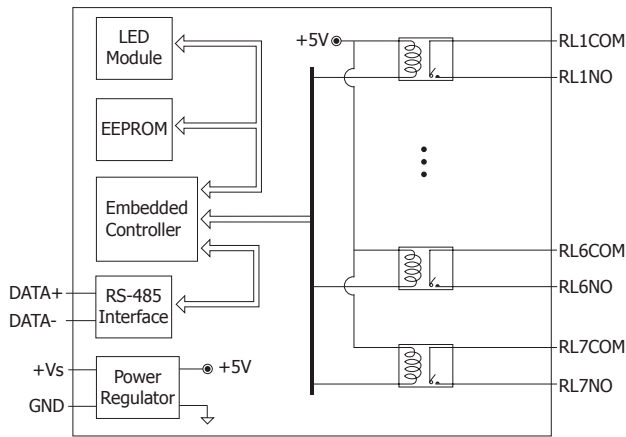
System Specifications

Models	I-7067	I-7067D	M-7067	M-7067D
Communication				
Interface	RS-485			
Format	(N, 8, 1) (N, 8, 2) (E, 8, 1) (O, 8, 1)			
Baud Rate	1200 ~ 115200 bps			
Protocol	DCON		Modbus RTU, DCON	
Dual Watchdog	Yes, Module (1.6 Seconds), Communication (Programmable)			
LED Indicator/Display				
System LED Indicator	Yes, 1 LED as Power/Communication Indicator			
I/O LED Indicator	-	Yes	-	Yes
7-Segment LED Display	-			
Isolation				
Intra-Module Isolation, Field-to-Logic	1500 Vdc			
EMS Protection				
ESD (IEC 61000-4-2)	+/-4 kV			
EFT (IEC 61000-4-4)	+/- 2 kV			
Power				
Reverse Polarity Protection	Yes			
Input Range	10 ~ 30 Vdc			
Consumption	1.5 W	2.2 W	1.5 W	2.2 W
Mechanical				
Dimensions (W x L x H)	72 mm x 123 mm x 35 mm			
Installation	DIN-Rail or Wall Mounting			
Environment				
Operating Temperature	-25 ~ +75°C			
Storage Temperature	-40 ~ +85°C			
Humidity	10 ~ 95% RH, Non-condensing			

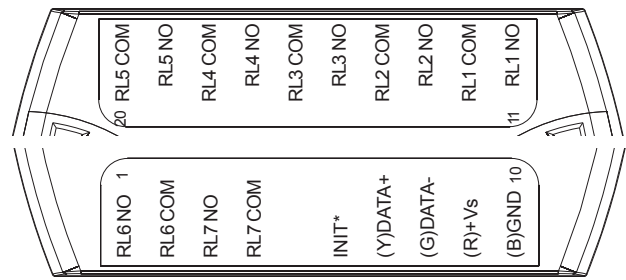
I/O Specifications

Models	I-7067	I-7067D	M-7067	M-7067D
Power Relay				
Channels	7			
Type	Power Relay (Form A)			
Contact Rating	0.5 A @ 120 V _{Ac} 1 A @ 24 V _{Dc}			
Surge Strength	1500 V _{Dc}			
Operate Time	5 ms			
Release Time	2 ms			
Mechanical Endurance	5 × 10 ⁶ ops.			
Electrical Endurance	10 ⁵ ops.			
Power-on Value	Yes			
Safe Value	Yes			

Internal I/O Structure



Pin Assignments



Wire Connections

Relay Output	ON State Readback as 1	OFF State Readback as 0
Relay Output		

Ordering Information

I-7067 CR	7-channel Relay Output Module with DCON Protocol (Blue Cover) (RoHS)
I-7067D CR	I-7060 with LED Display (Blue Cover) (RoHS)
I-7067D-G CR	I-7060 with LED Display (Gray Cover) (RoHS)
M-7067-G CR	7-channel Relay Output with Module with DCON and Modbus Protocol (Gray Cover) (RoHS)
M-7067D-G CR	M-7060 with LED Display (Gray Cover) (RoHS)

Accessories

	tM-7520U CR	RS-232 to RS-485 converter (RoHS)
	tM-7561 CR	USB to RS-485 converter (RoHS)
	tM-SG4 CR	RS-485 Pull-high/Pull-low and Termination Resistor Module (RoHS)
	I-7514U CR	4-channel RS-485 Hub (RoHS)
	SG-770 CR	7 channel differential or 14 channel single-ended surge protector (RoHS)
	SG-3000 series	Signal Conditioning Modules for Thermocouple, RTD, DC Voltage, DC Current and Power Inputs