

PCISA-7520R

Isolated RS-232 to RS-485 Converter Card

PCISA-7520AR

Isolated RS-232 to RS-422/485 Converter Card



Features ▶▶▶▶

- No External Power Supply required
- No Driver installation required
- 3000 V_{oc} Isolation Protection
- Auto Switching Baud Rate, 300 ~ 115200 bps
- Transmission Speed of up to 115200 bps
- Can be used in an ISA Bus, a PCI Bus or any system with an RS-232 Interface

Introduction

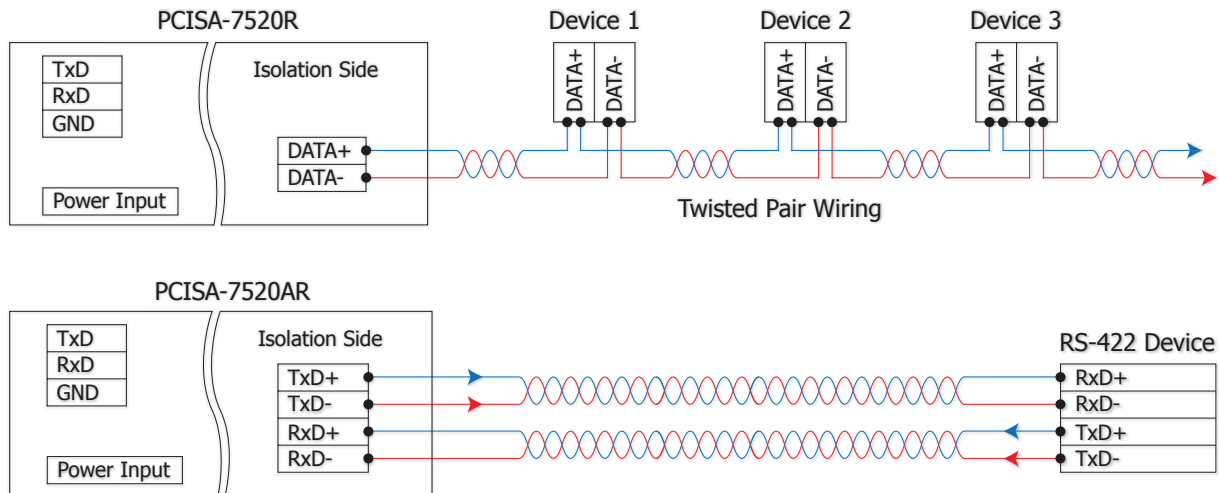
The PCISA-7520 series card provides RS-232 to RS-485 (or RS-422) converter function that is exactly the same as I-7520 series. It is designed for easy installation, powered from the PCI or ISA Interface but without PCI and ISA functions. The PCISA-7520 series is equipped with one RS-232 serial port and one RS-485 serial port. The RS-232 port is designed to communicate with the local Host PC, the RS-485 is designed to communicate with the remote IO module.

For adding more serial ports to a PC, please refer to VXC/VEX series card in chapter 2.

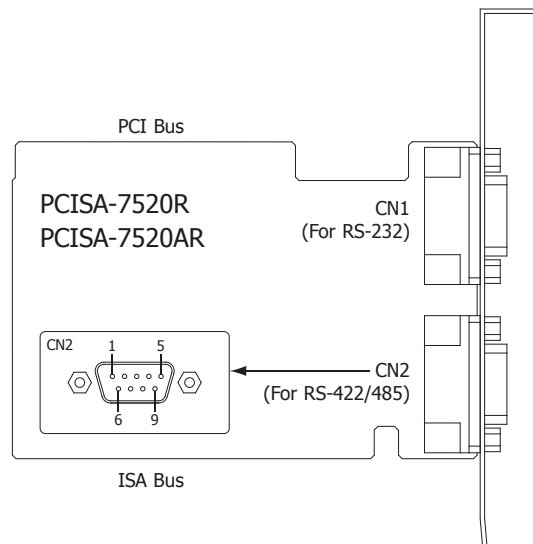
System Specifications

Models		PCISA-7520R	PCISA-7520AR
Interface			
Serial Interface	RS-232	TxD, RxD, GND	
	RS-422	–	TxD+, TxD-, RxD+, RxD- The RS-422 and RS-485 cannot be used simultaneously
	RS-485	Data+, Data-	
Transmission Distance		Max. 1,200 m at 9.6 kbps; Max. 400 m at 115.2 kbps (Belden 9841 2P twisted-pair cable, if different cables are used, the transmission distance may change)	
Self-Tuner Asic Inside		Yes	
Speed		300 ~ 115200 bps	
ESD Protection		Yes	
Isolated Voltage		3000 V _{oc} on the RS-422/485 side	
Connector	RS-232	9-Pin Female D-Sub x 1	
	RS-422/485	9-Pin Male D-Sub x 1	
Power			
Input Voltage Range		+5 V _{oc} from the PC	
Power Consumption		1.0 W	
Mechanical			
Dimensions (L x W x D)		118 mm x 72 mm x 22 mm	
Environment			
Operating Temperature		0 °C ~ +50 °C	
Storage Temperature		-20 °C ~ +70 °C	
Humidity		0 ~ 90% RH, non-condensing	

Applications

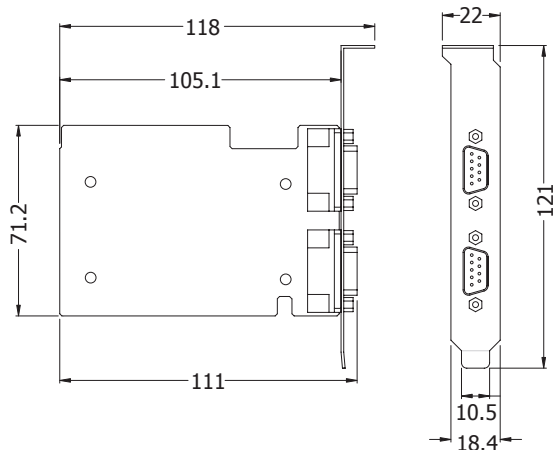


Pin Assignments



PCISA-7520R		PCISA-7520AR	
Pin	2-wire for RS-485	Pin	2-wire for RS-485 / 4-wire for RS-422
01	DATA+	01	DATA+ / Tx+
02		02	RxD+
03	NC	03	NC
04		04	NC / RxD+
05	DATA-	05	NC / Rx+
06		06	DATA- / Tx-
07	NC	07	DATA-
08		08	NC / Rx-
09		09	NC

Dimensions (Unit: mm)



Ordering Information

PCISA-7520R CR	Isolated RS-232 to RS-485 Converter Card (RoHS)
PCISA-7520AR CR	Isolated RS-232 to RS-422/485 Converter Card (RoHS)

Accessories

I-7510 CR	Isolated RS-485 Repeater (RoHS)
I-7510A CR	Isolated RS-422/485 Repeater (RoHS)
CA-0915	9-Pin Male-Female D-Sub Cable, 1.5 m