

ACE-4860AP

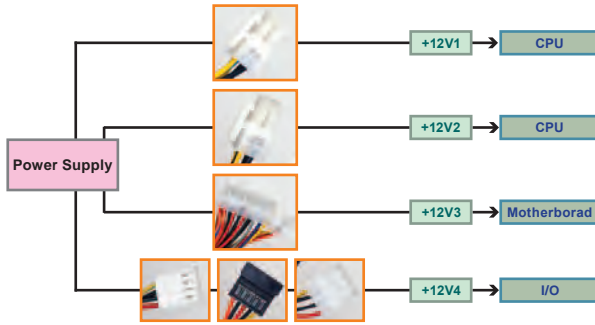
600 W PS/2 Type ATX Power Supply



Features

1. 600 W for high power consumption RAID / multi-core system
2. High efficiency
3. ATX 2.0 standard with new 20+4-pin ATX power and SATA connector design
4. Overvoltage and overcurrent protection
5. 100% Hi-pot tested
6. Multiple safety and EMC certifications
7. Total +12 V output up to 40 A

Power Connector + 12 V



Specifications

Input	Voltage	90 – 264 VAC Full Range		
	Frequency	47 – 63 Hz		
	Input Current	12 A (RMS)@115 VAC, 6 A (RMS)@230VAC		
	Inrush Current	60 A max for 115 VAC, 150 A max for 230 VAC		
Output	Voltage	Min. load	Max. load	Ripple & Noise
	+5 V	0 A	30 A	50 mV P-P
	+12 V1	1 A	12 A	120 mV P-P
	+12 V2	1 A	12 A	120 mV P-P
	+12 V3	0.5 A	18 A	120 mV P-P
	+12 V4	0 A	18 A	120 mV P-P
	-12 V	0 A	1 A	120 mV P-P
	+3.3 V	0 A	24 A	50 mV P-P
	+5 Vsb	0 A	3 A	50 mV P-P
	Over Voltage Protection	+12 V: 14.6 V ±10% +5 V: 6.2 V ±10% +3.3 V: 4 V ±10%		
Short Circuit Protection	+3.3 V, +5 V, +12 V shut down and latch off			
General Specifications	Watt	600 W		
	PFC	Active		
	Hold-up Time	16 ms Min.		
	Efficiency	70%		
	MTBF	100,000 hours		
	Temperature	Operating: 0 – 50°C (40 – 50°C derating curve) Storage: -40 – 70°C		
	Dimensions	140 x 150 x 86 (mm), 5.51 x 5.91 x 3.39 (inch)		
	Output Connector	1 x 20+4-pin ATX, 1 x 4-pin 12 V CPU, 9 x HDD/CDROM, 1 x FDD, 2 x SATA		

Ordering Information

Part No.	Description
ACE-4860AP-R11-RS	600 W AC-DC PS/2 ATX power supply, with PFC

ACE-4840APM

400 W PS/2 Medical Type ATX Power Supply



Medical

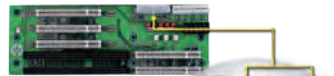
New Version 20+4 Pins Power Supply



Features

1. Internal 8 cm fan
2. Meets medical safety standards
3. Line input fuse protection
4. Output overvoltage protection
5. Short circuit protection on all outputs
6. Total +12 V output up to 34 A

PICMG1.0 Form Factor Backplane

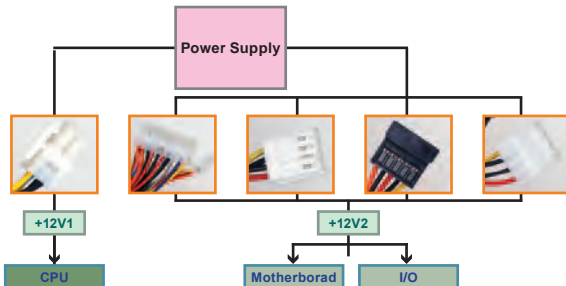


20+4-pin ATX power connector

PICMG1.3 Form Factor Backplane PE-10S/6S



Power Connector + 12 V



Specifications

Input Voltage	90 – 265 VAC Full Range			
Input Frequency	47 – 63 Hz			
Input Current	8 A (RMS) for 115 VAC, 4 A (RMS) for 230 VAC			
Inrush Current	60 A MAX. for 115 VAC, 100A MAX. for 230 VAC			
Output Voltage	Voltage	Min. load	Max. load	Ripple & Noise
	+3.3 V	0.5 A min	30 A	50 mV
	+5 V	0.3 A min	30 A	50 mV
	+12 V1	1 A min	17 A	120 mV
	+12 V2	1 A min	17 A	120 mV
	-5 V		0.3 A	100 mV
	-12 V		0.8 A	120 mV
	+5 V sb		2 A	50 mV
	+3.3 V & +5 V total output not exceed 180 W +3.3 V & +5 V & +12 V total output not exceed 380 W			
	Overvoltage Protection	+5 V 5.7 V ~ 6.5 V +3.3 V 3.7 V ~ 4.5 V +12 V 13.3 V ~ 15.6 V		
Hold Up Time	20 ms min.			
MTBF	100,000 hours			
Operating Temperature	0°C – 50°C			
Storage Temperature	-20°C – 80°C			
Efficiency	68%			
Dimensions	140 mm x 150 mm x 86 mm			
Outline Connector	1 x 20+4-pin ATX, 1 x 4-pin 12V CPU, 5 x HDD/CDROM, 2 x FDD, 2 x SATA, 1 x Extra +5V (P10)			

Ordering Information

Part No.	Description
ACE-4840APM-RS	400 W AC-DC PS/2 ATX Power Supply, meets Medical standard, with PFC