

## FCD-301



- The most suitable USB cable for IEI's CPU boards
- Support standard 3.5" drive bay, 4-pin female connector to CPU boards' pin header, length: 60cm
- RoHS compliant
- Pin definition:

Pin 1	Pin 2	Pin 3	Pin 4
+5V	Data-	Data+	GND

3.5" compact drive bay with USB port

### Ordering Information

Part No.	Description
FCD-301[C]-RS	3.5" compact drive bay with USB port, RoHS [C] Color Code: B=Black, W=White

## AS-35A / AS-25A / AS-25C



AS-35A

AS-25A

Anti-vibration Drive Kit



AS-25C

- Resistant to shocks and vibrations from all directions
- Support 2.5" HDD into 3.5" drive bay (AS-25A/ 25C)
- Support 3.5" HDD into 5.25" drive bay (AS-35A)
- Meets the following standards:
  - MIL-SLD-810F 514.5C-1 standard
  - 5-20Hz, 1G peak to peak
  - 60-200Hz, 3G peak to peak
- RoHS compliant

### Ordering Information

Part No.	Description
AS-35A-RS	3.5" Drive Anti-vibration Kit, RoHS
AS-25A-RS	2.5" Drive Anti-vibration Kit, RoHS
AS-25C-RS	Enhanced 2.5" Drive Anti-vibration Kit, RoHS

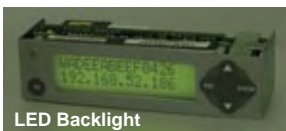
## LCM-02G 16x2 LCD Message Module



LCM-02G in RACK-1151G 1U rackmount chassis



### Main Features



- RoHS compliant design
- One programmable welcome page
- Up to 8 messages auto rolling mode
- Adjustable back-light brightness
- Five programmable buttons (Four OSD buttons and One extra function button.)

### Packing List

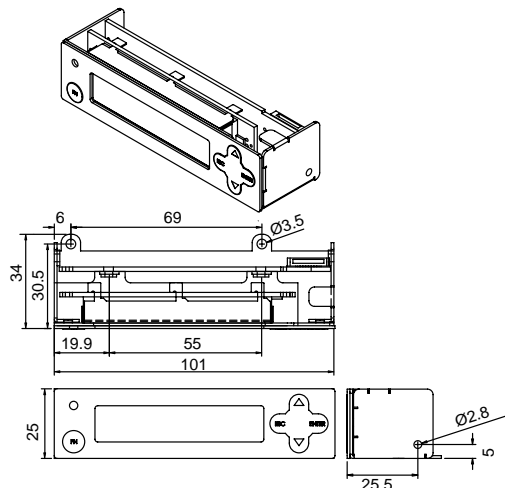


1 x LCM-02G
1 x User manual
1 x Utility disk
1 x Power cable
1 x RS-232 cable
3 x LED, reset cable
1 x Screw set

### Ordering Information

Part No.	Description
LCM-02G	16 x 2 LCD Message Module, RoHS

### Dimensions (measurement units: millimeter)



### Specifications

Character Number	16 characters x 2 lines
Character Size (WxH)	2.96 mm X 5.56 mm
Dot Size (WxH)	0.56 mm X 0.66 mm
Back Light	Yellow green LED with adjustable brightness
LCD Size (WxH)	60mm x 15mm
Buttons	UP / DOWN / ESC / ENTER / FN
Control Interface	RS-232
GPIO	4
Power	DC 5V
Operating Temperature	0~50°C
Dimensions (WxHxD)	101mm x 25mm x 34mm

1

Industrial Computing Solutions

2

Video Capture Solutions

3

Embedded Computing Solutions

4

Automation Control

5

oRING Network Communication

6

Power Supply/ Peripherals

7

Panel Solutions Introduction