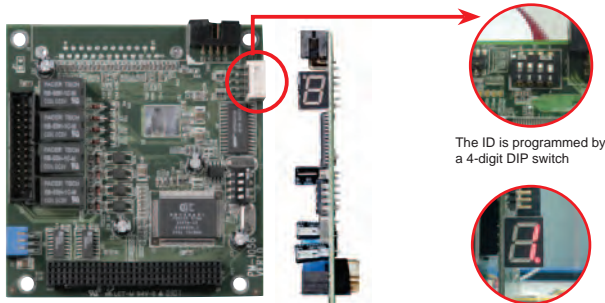


PM-1056-RS-R21

PCI-104 video capture card with four video input channels, total 30 fps @720x480 (NTSC)



The ID is programmed by a 4-digit DIP switch

Digit LED to show its ID (identification)

- Applications: Video surveillance, security, public transportations, police and government



VIN-KIT-01
4 x BNC Connector Board

Specifications

Interface

Video Input	4 channels composite video NTSC, PAL and SECAM auto sensing
Connector	BNC
Audio Input	4-channel analog audio
Connector	DB9 to 3.5mm phone jack audio cable
PCIe Interface	PCI 2.1 compliance
Card ID	Selectable with LED for ID indication
Alarm I/O	External GPIO daughter board with 4 inputs and 4 outputs (optional)

Software support

Device Driver	Windows® 2000, XP, Linux Kernel 2.4
SDK	Provides SDK and demo program with sample source code in C++

Video Processing

Video Engine	1 x Conexant Fusion™ BT878A		
Resolution	NTSC:	PAL / SECAM:	
	720 x 480	720 x 576	720 x 480
	720 x 288	720 x 480	720 x 288
	640 x 480	720 x 240	720 x 240
	640 x 288	704 x 576	704 x 576
	640 x 240	640 x 480	640 x 480
Frame Rate	NTSC: Total 30fps @D1 for 4 channels		
	PAL/SECAM: 25fps @D1 for 4 channels		

Multiple Card Support

Card	Video Port	Audio Port	Max. Channel / Resolution Support	Total Frame (NTSC/PAL)
1	4	N/A	4 channels, D1 (720 x 480)	30/25 fps
4	16	N/A	16 channels, D1 (720 x 480)	120/100 fps

System Requirement

System	x86 compatible computer
Graphics	DirectX compatible VGA card with YUV overlay mode supporting

Functionality

Video / Audio Synchronization	Yes
Video Loss Detection	Yes
Motion Detection	Hardware built-in
Watermarking	128-bit secret key, adjustable length

Others

Dimensions	95.89 mm x 90.17 mm
Operating Temperature	0°C ~ 60°C (32°F~140°F), non-condensing
Power Consumption	3.5W@5V (with relay)

Packing List

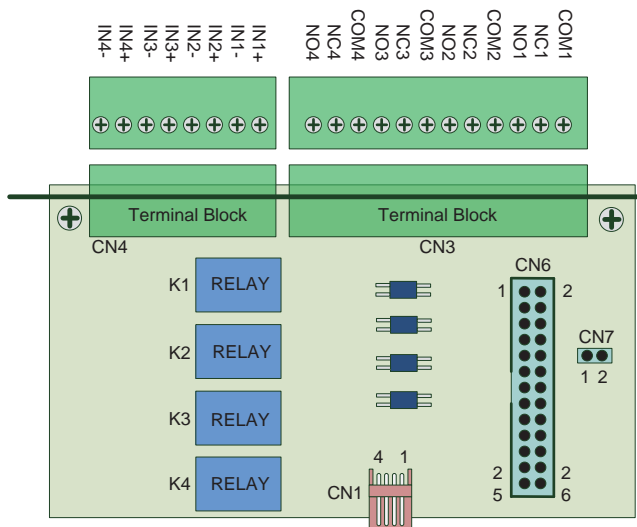
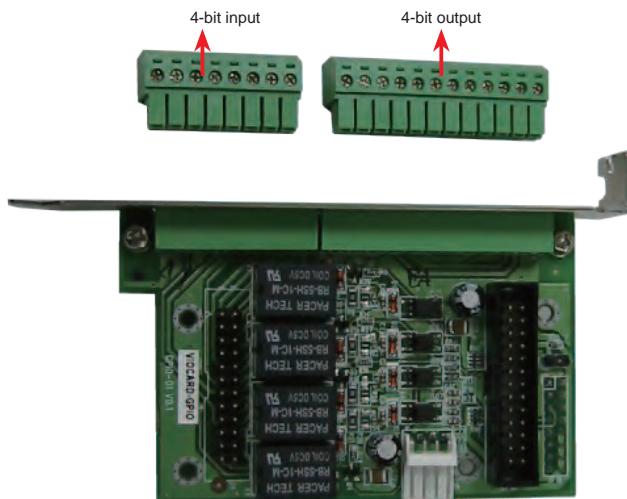
1 x PM-1056	1 x Utility CD	1 x User manual
1 x Audio cable (P/N: 32000-038100-RS)	1 x Video flat cable (P/N: 32000-038100-RS)	

Ordering Information

Part No.	Description
PM-1056-4P-RS-R21	PCI-104 video capture card with four video input channels, total 30 fps@720x480 (NTSC)
PM-1056-4PB-RS-R21	PCI-104 video capture card with four video input channels, total 30 fps@720x480 (NTSC), and VIN-Kit-01

VIOCARD-GPIO-RS-R10

4-bit input and 4-bit output GPIO card



Packing List

1 x VIOCARD-GPIO board
1 x QIG

Ordering Information

Part No.	Description
VIOCARD-GPIO-RS-R10	4-bit input and 4-bit output GPIO card
32225-002200-100-RS	GPIO card to IVC/IVCE capture card connection cable
32031-000100-100-RS	GPIO card to IVCME capture card connection cable

