

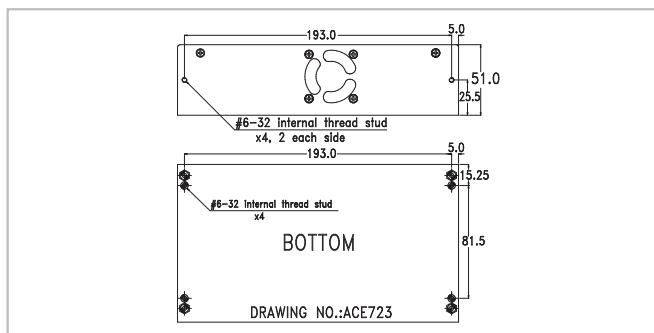
ACE-723A/B

200 W AC-DC AT Power Supply



Input Type	85 ~ 135 VAC, 180 ~ 265 VAC Auto Range				
Output Voltage	+5 V	+12 V	-5 V	-12 V	+24 V
ACE-723A	22 A (3 A min)	6 A	1 A	1 A	
ACE-723B	21 A (3 A min)	5 A		1 A	1 A
Efficiency	75%				
Temperature	Operating: -20°C ~ 70°C (40°C ~ 70°C derating curve) Storage: -20°C ~ 85°C				
MTBF (hrs)	150,000 (ACE-723A), 148,000 (ACE-723B)				
Output Connector	Optional Cable				
Dimensions	203 x 112 x 51 (mm)				

Dimensions (Unit: mm)



Ordering Information

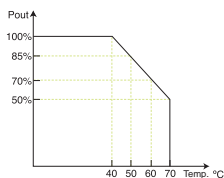
Part No.	Description
ACE-723A-RS	200W AC-DC AT Power Supply
ACE-723B-RS	200W AC-DC AT Power Supply, with +24V output

Option 1	Embedded Solution	Option 3	AT P8P9 Backplane Solution
	PN: CB-716EB-RS 30 cm DC cable to CPU card with 4-pin 12 V CPU, HDD and SATA connectors		PN: CB-716P8P9-RS 30 cm DC cable AT power to P8P9 with HDD and SATA connectors
Option 2	Embedded Solution	Option 4	AT P8P9 Backplane Solution
	PN: CB-716EB-RS 30 cm DC cable to CPU card with 4-pin 12 V CPU, HDD and SATA connectors		PN: CB-643EC-RS 20 cm AC input cable with I/O connector and fuse

2U DC Input AT Type

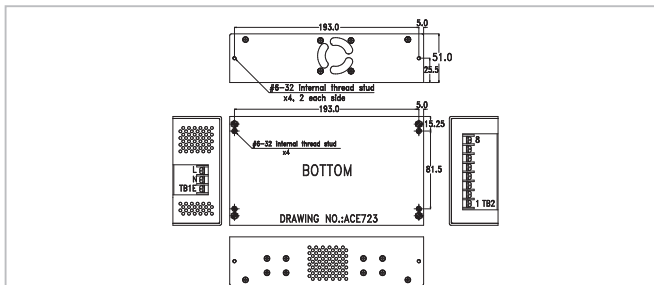
ACE-723C

200W 24V DC input AT Power Supply



Input Voltage	19 ~ 30 VDC			
Input Current	16 A (RMS) for 24 VDC			
Output Voltage	Voltage	Min. load	Max. load	Ripple & Noise
	+5 V	3 A	22 A	100 mV
	+12 V	0 A	6 A	100 mV
	-5 V	0 A	1 A	100 mV
	-12 V	0 A	1 A	100 mV
Overload Protection	+5 V output ±1%, +12 V output ±4%, -12 V output ±1%, -5 V output ±1%			
Temperature	Operating: -20°C ~ 70°C (40°C ~ 70°C derating curve) Storage: -20°C ~ 85°C			
Efficiency	70%			
Input Protection	Protection against wrong polarity if -48V volts inverse by mistake.			
Thermal Protection	Thermal protection used build in 110°C ±5°C thermal switch in HS1.			
Vibration	10 ~ 55 Hz at 2G 3minutes period, 30 minutes along X, Y and Z axis.			
Impact	10G for 20ms once on each X, Y and Z axis.			
MTBF (hrs)	138,000			
Dimensions	203 x 112 x 51 (mm)			
Output Connector	Optional Cable			

Dimensions (Unit: mm)



Ordering Information

Part No.	Description
ACE-723C-RS	200W 24V DC input AT Power Supply

AC terminal block

Pin 1	Pin 2	Pin 3
E	N	L

Output terminal block

Pin 1, 2	Pin 3, 4	Pin 5
5V	GND	-5V
Pin 6	Pin 7	Pin 8
-12V	GND	+12V

Option 1	Embedded Solution
	PN: CB-716EB-RS 30 cm DC cable to CPU card with 4-pin 12 V CPU, HDD and SATA connectors
Option 2	ATX Backplane Solution
	PN: CB-716BP-RS 30 cm DC cable to backplane with 20-pin ATX, HDD, SATA and HDD connectors
Option 3	AT P8P9 Backplane Solution
	PN: CB-716P8P9-RS 30 cm DC cable AT power to P8P9 with HDD and SATA connectors

1

Industrial Computing Solutions

2

Video Capture Solutions

3

Embedded Computing Solutions

4

Automation Control

5

ORing Network Communication

6

Power Supply/ Peripherals

7

Panel Solutions Introduction