

DAUGHTER BOARD USER GUIDE



for DB-24C

English/ Jun. 2011/ Version 1.2

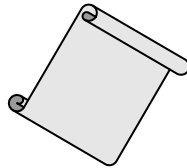
1

What's in the shipping package?

- One DB-24C Daughter Board
- One User Guide (This document)
- One CA-5015 Cable



DB-24C



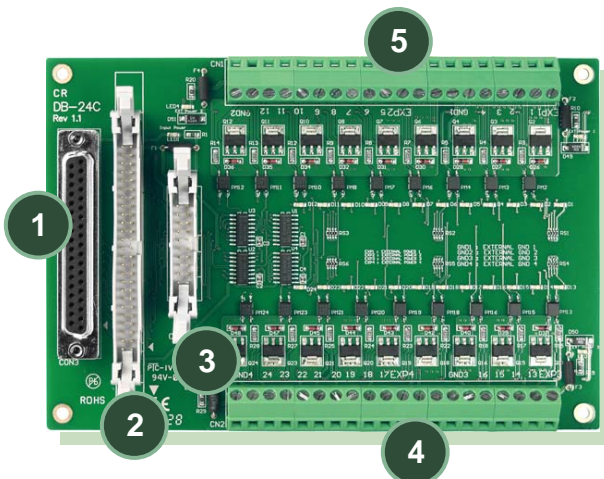
User Guide



CA-5010

2

Layout



1 CN3: 37-pin D-sub connector

2 CN4: 50-pin header

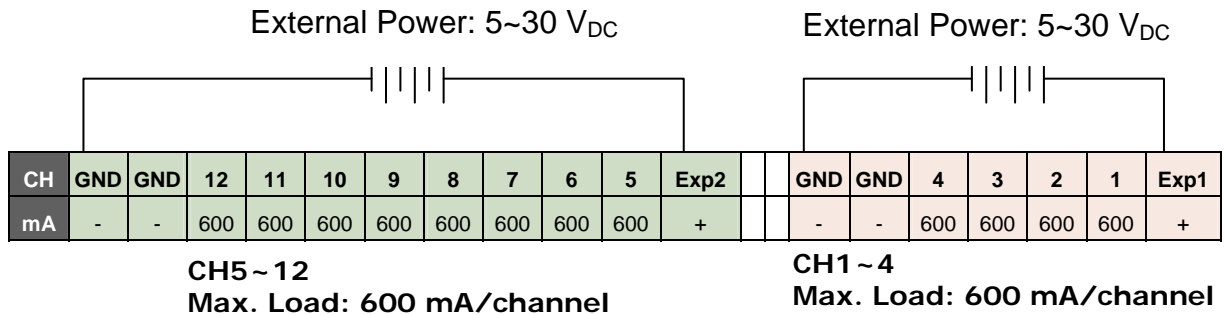
3 CN5: 20-pin header

4 CN2: CH13 ~ CH24

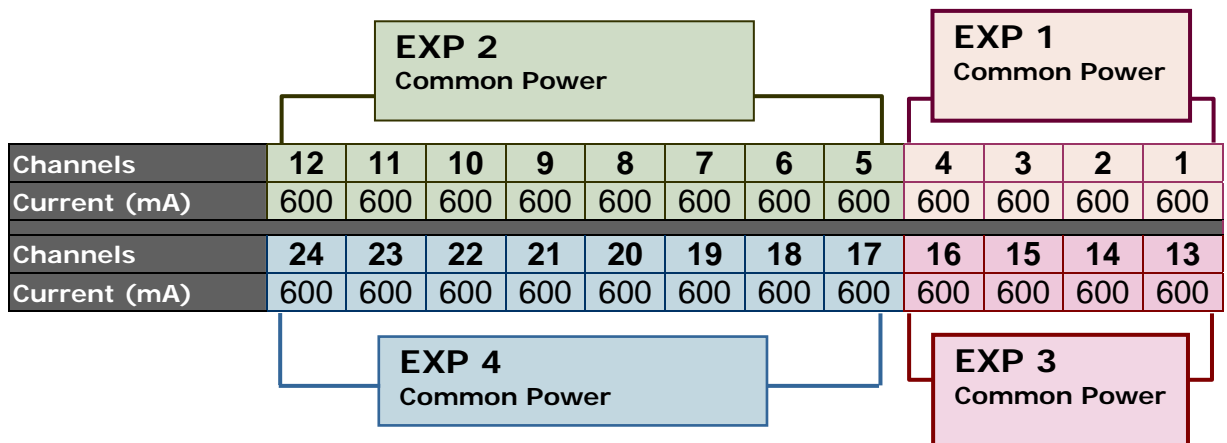
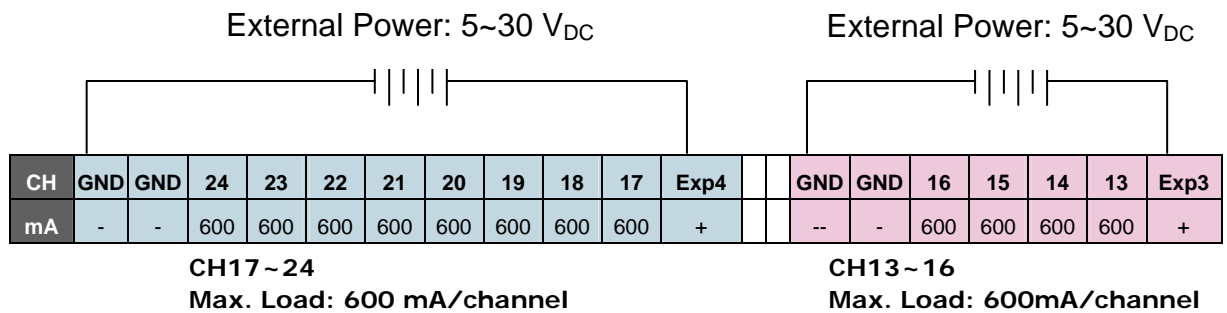
5 CN1: CH1 ~ CH12

3 Pin Assignments

■ CN1: CH1 ~ CH12

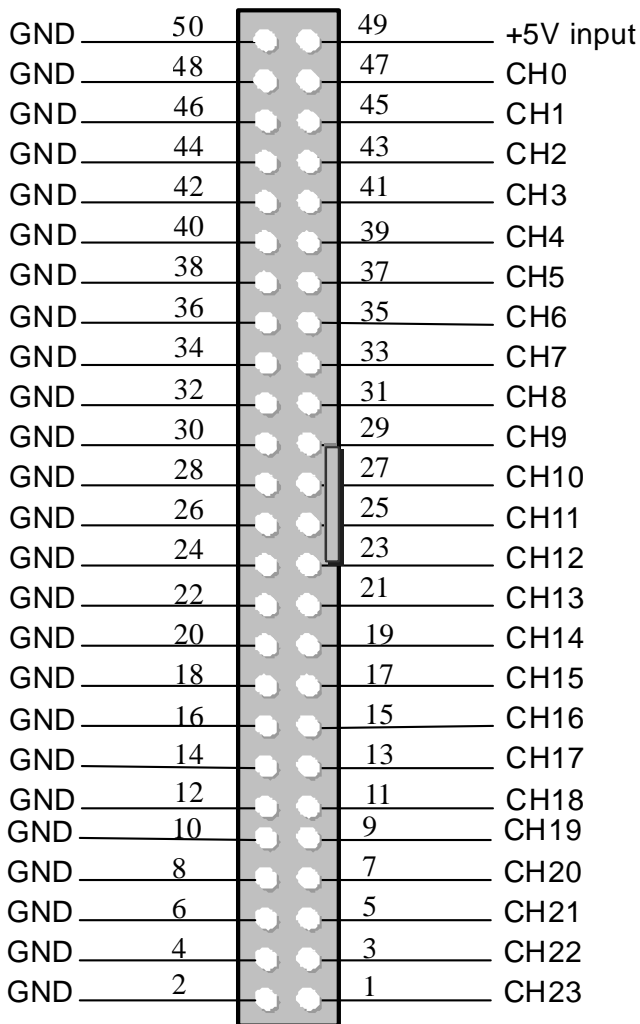


■ CN2: CH13 ~ CH24

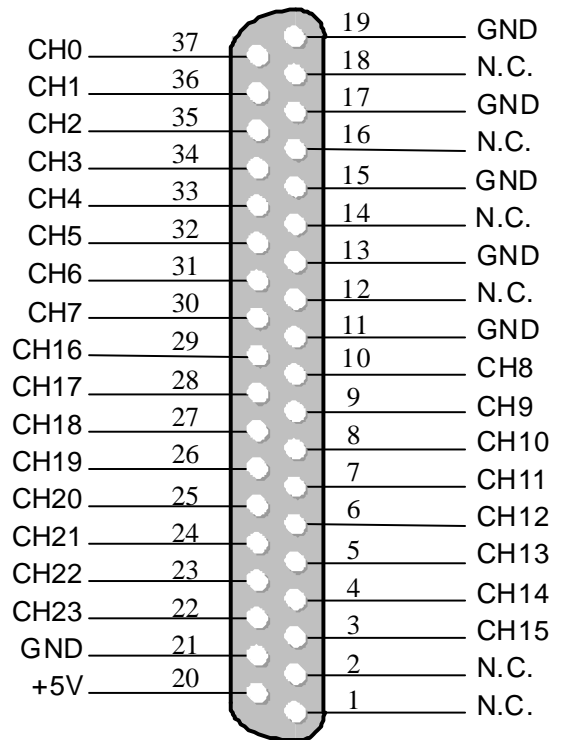


Power	EXP1	EXP2	EXP3	EXP4
Input Voltage	5~30 V _{DC}	5~30 V _{DC}	5~30 V _{DC}	5~30 V _{DC}
Input Current	2.4 A	4.8 A	2.4 A	4.8 A

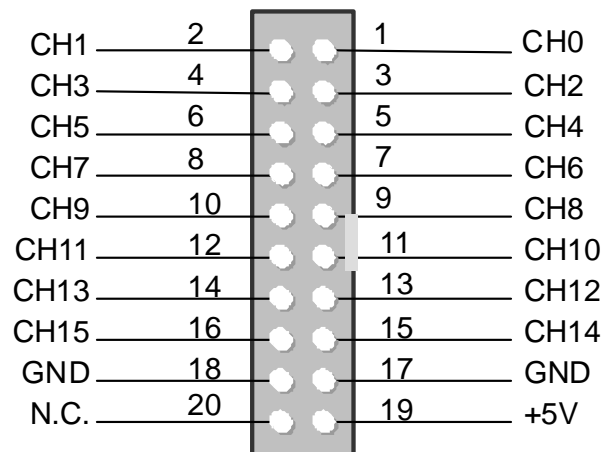
■ CN3: 37-pin D-sub connector



■ CN4: 50-pin header



■ CN5: 20-pin header

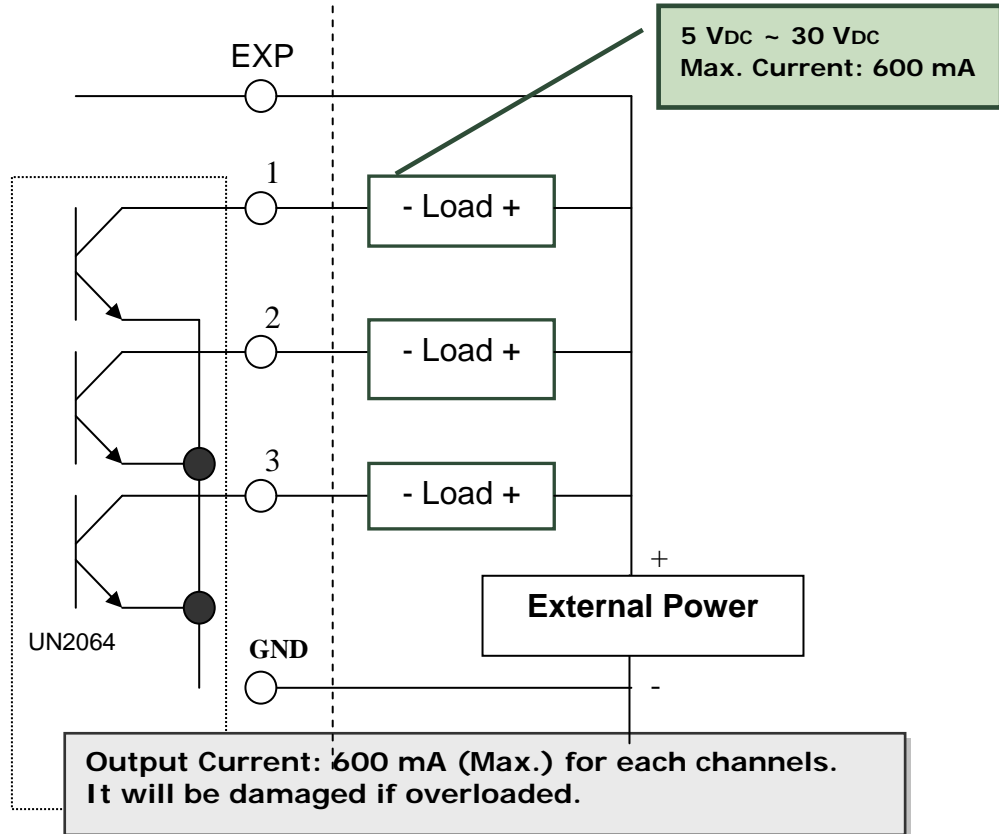


! Note:
+5 V: Power input DC +5 V
GND: Power's Ground
CHn: TTL's Signal

4

Output Wiring Diagram

Open Collector Output Wiring



Related Information

- **DB-24C product page:**
http://www.icpdas.com/products/DAQ/screw_terminal/db_24c.htm
- **Documentation:**
CD:\NAPDOS\Daughter_Board\
http://ftp.icpdas.com/pub/cd/iocard/pci/napdos/daughter_board/



DAUGHTER BOARD USER GUIDE



for DB-24C

繁體中文 / 2011 年 6 月 / 版本 1.2

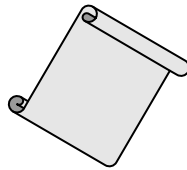
1

檢查配件

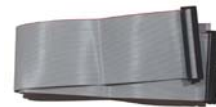
- 一張 DB-24C 端子板
- 一張 使用者指南 (本文件)
- 一條 CA-5010 Cable



DB-24C



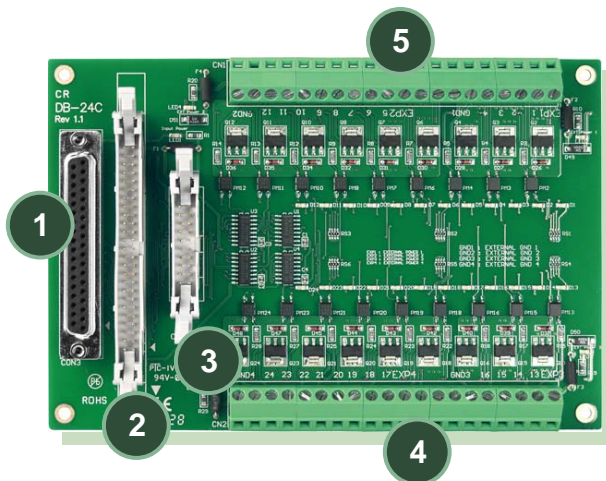
使用者指南



CA-5010

2

端子板配置圖



1 CN3: 37-pin D-sub 連接頭

2 CN4: 50-pin 接頭

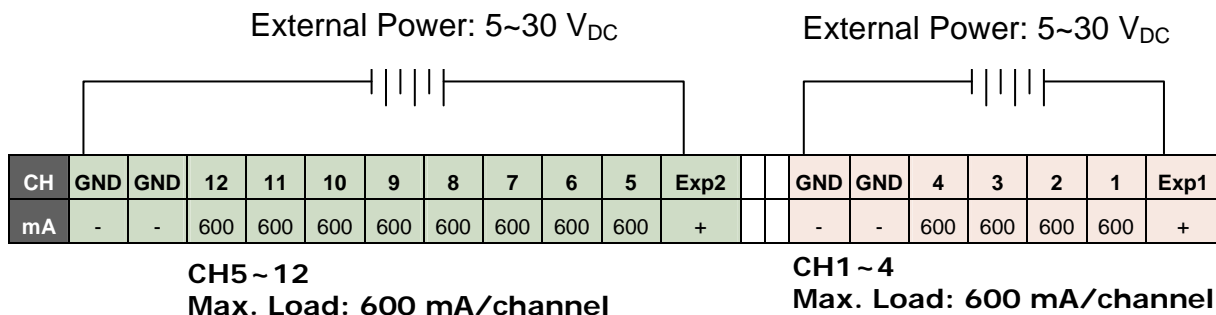
3 CN5: 20-pin 接頭

4 CN2: CH13 ~ CH24

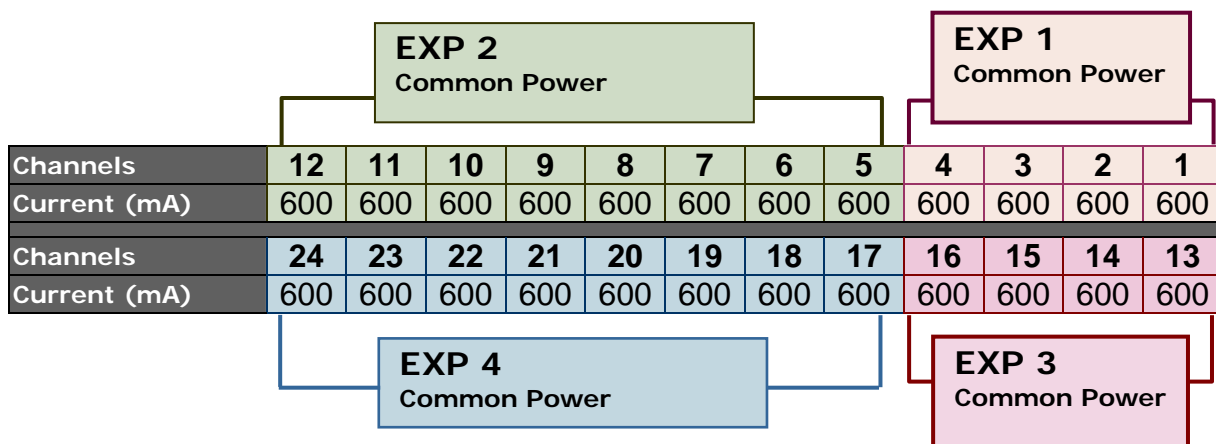
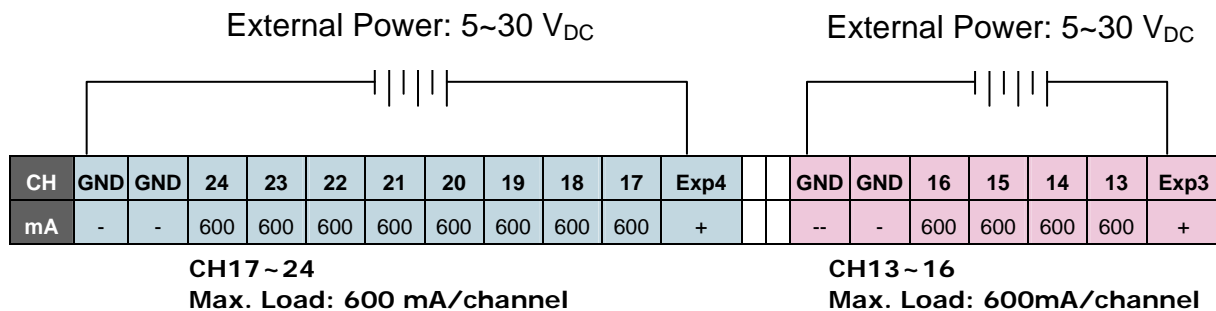
5 CN1: CH1 ~ CH12

3 腳位定義

■ CN1: CH1 ~ CH12

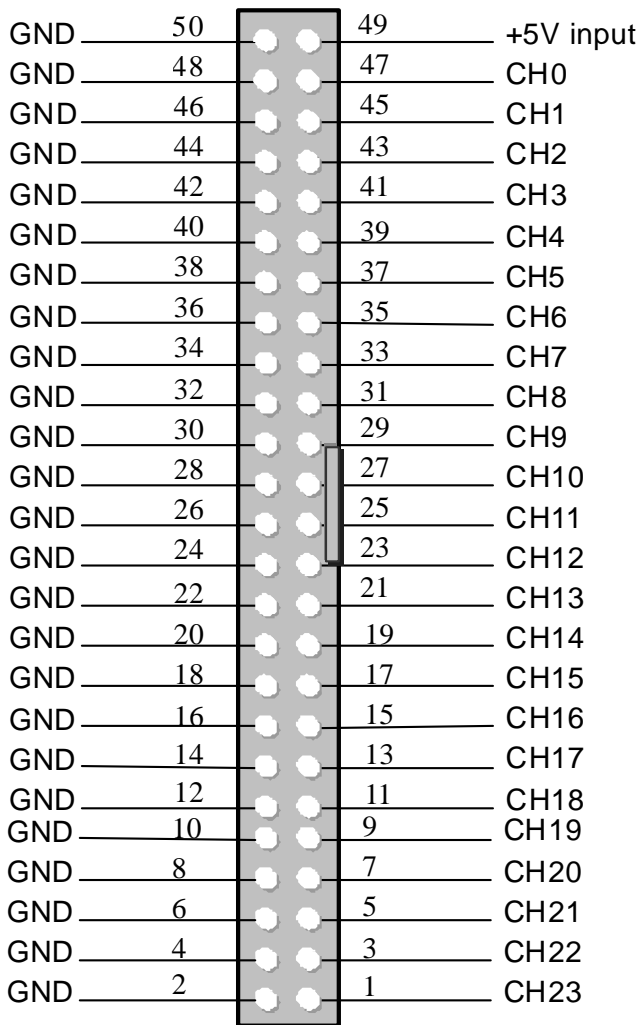


■ CN2: CH13 ~ CH24

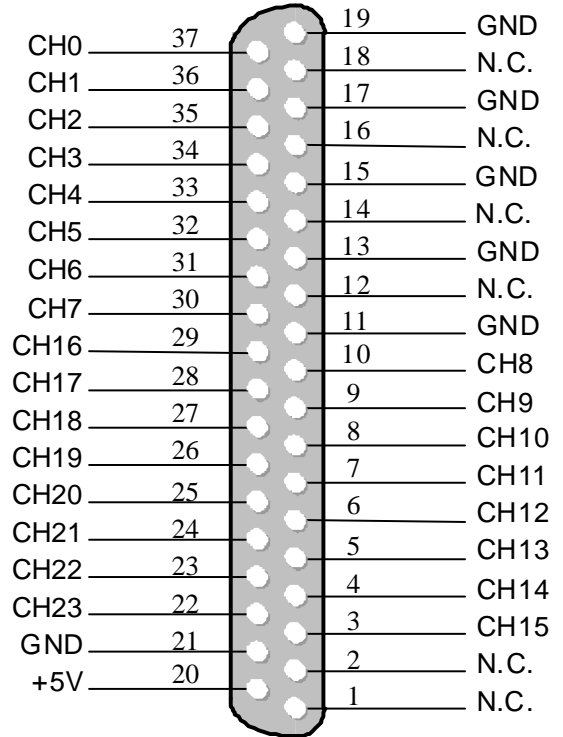


Power	EXP1	EXP2	EXP3	EXP4
Input Voltage	5~30 V _{DC}	5~30 V _{DC}	5~30 V _{DC}	5~30 V _{DC}
Input Current	2.4 A	4.8 A	2.4 A	4.8 A

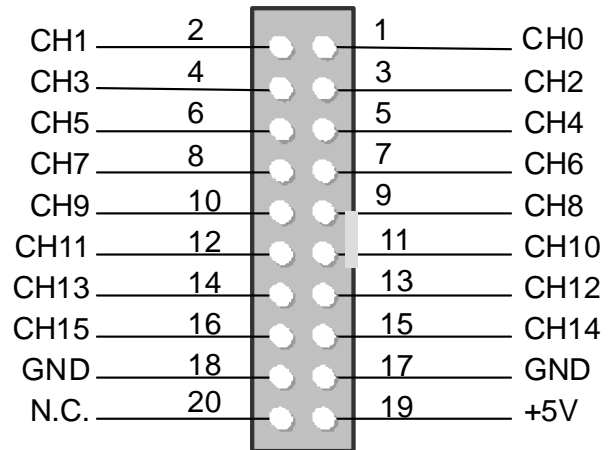
■ CN3: 37-pin D-sub 連接頭



■ CN4: 50-pin 接頭



■ CN5: 20-pin 接頭



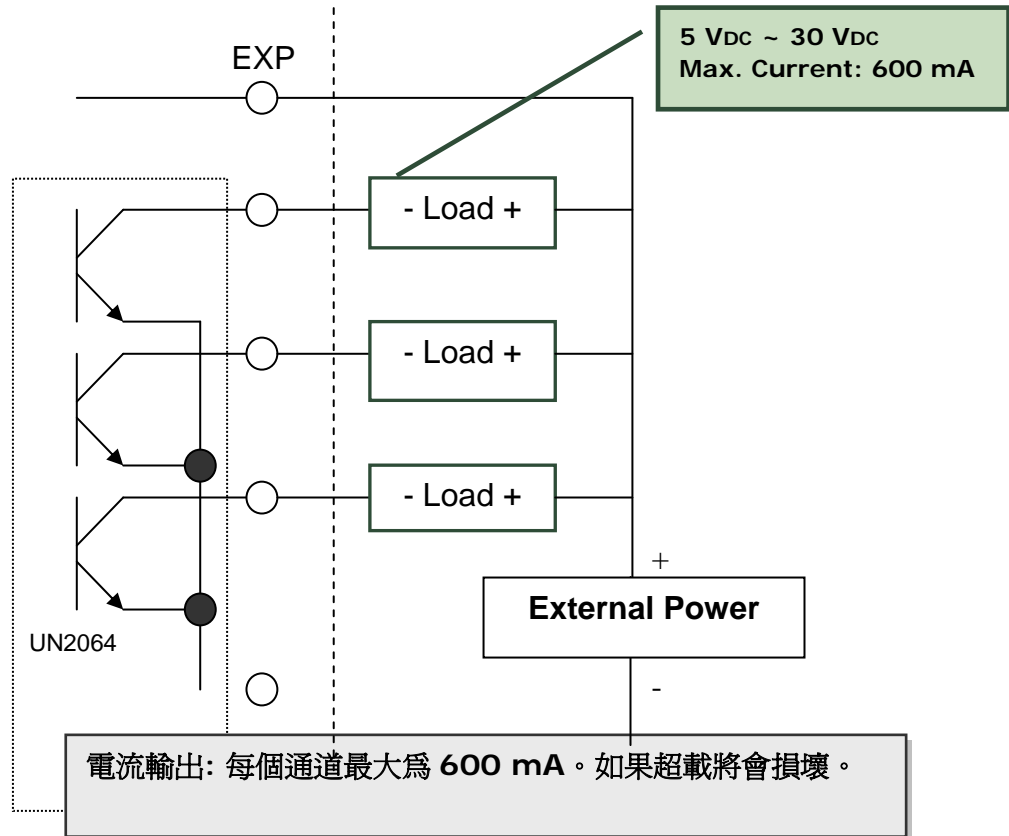
! 注意:

+5 V: Power input DC +5 V
GND: Power's Ground
CHn: TTL's Signal

4

輸出接線圖

Open Collector Output Wiring



參考資訊

- DB-24C 產品網頁:
http://www.icpdas.com/products/DAQ/screw_terminal/db_24c.htm
- 相關文件位置:
CD:\NAPDOS\Daughter_Board\
http://ftp.icpdas.com/pub/cd/iocard/pci/napdos/daughter_board/

