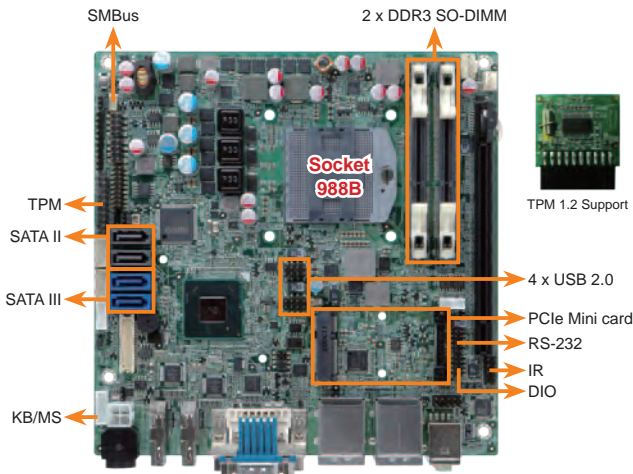
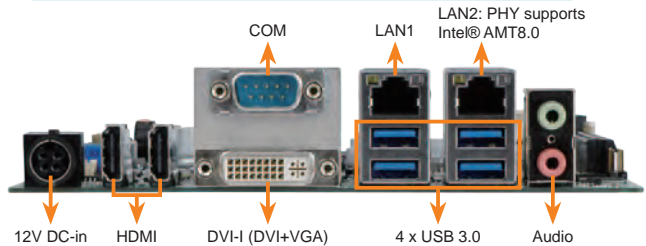


KINO-QM770

Mini-ITX SBC with Socket G2 for Intel® 22nm Mobile CPU, DVI-I/Dual HDMI/LVDS, Dual PCIe GbE, USB 3.0, PCIe Mini, SATA 6Gb/s and Audio



3 independent displays support under Win7 OS



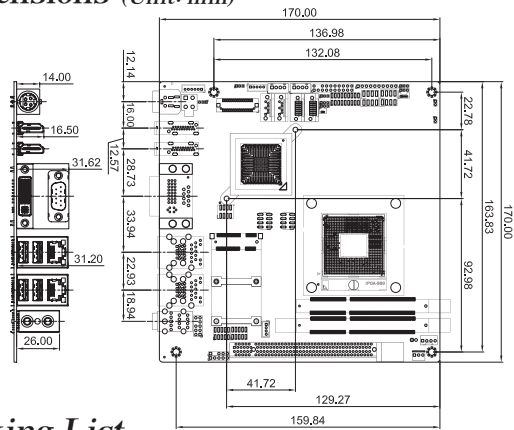
Features

1. Mini-ITX SBC with Socket G2 for Intel® 22nm mobile Ivy Bridge processor
2. Dual-channel 1066/1333/1600MHz DDR3 SDRAM supports up to 16GB
3. HDMI 1.3 compliant, three independent displays supported
4. 3D micro-architecture enhancement supports DX11, OCL 1.1 and OGL 3.1
5. Rich media acceleration for hardware decoding and encoding acceleration
6. Intel® GbE LAN with Intel® AMT 8.0 supported
7. High speed I/O interface for PCIe Gen 3.0 add-on card, USB3.0 and SATA 6Gb/s supported
8. IEI One Key Recovery solution allows you to create rapid OS backup and recovery

Specifications

- ◆ CPU: Socket G2 for Intel® 3rd generation 22nm mobile processor
- ◆ PCH: Intel® QM77
- ◆ Memory: Two 204-pin 1066/1333/1600 MHz dual-channel DDR3 SO-DIMMs supported (system max. 16GB)
- ◆ BIOS: UEFI BIOS
- ◆ Ethernet: LAN1: Intel® 82583V PCIe controller; LAN2: Intel® 82579 PHY with Intel® AMT 8.0 support
- ◆ Graphics Engine: Supports DX11 and OpenGL 3.1; Full MPEG2, VC1, AVC Decode
- ◆ Display Output: DVI-I (VGA+DVI) integrated in the Intel® QM77 (up to 1920 x 1200 @60Hz); 18/24-bit dual-channel LVDS support (up to 1920 x 1200 @60Hz); Dual HDMI (HDMI signal only) output supported (up to 1920 x 1200 @60Hz)
- ◆ Super I/O: Fintek F81866
- ◆ Embedded Controller: iWDD EC
- ◆ Audio: Realtek ALC892 HD codec
- ◆ I/O Interface: 2 x RS-232 (1 x RS-422/485); 4 x USB 2.0 (4 x USB 3.0); 1 x 6-pin header for KB/MS; 2 x SATA power connector (5V/12V); 2 x SATA 3Gb/s and 2 x SATA 6Gb/s with RAID 0/1/5/10 support
- ◆ SMBus: 1 x 4-pin wafer
- ◆ TPM: 2 x 10-pin header
- ◆ Expansions: 1 x PCIe Mini card slot; 1 x PCIe x16
- ◆ Watchdog Timer: Software programmable supports 1~255 sec. system reset
- ◆ Programmable I/O: 8-bit digital I/O
- ◆ Infrared Interface: 1 x 5-pin header
- ◆ Fan Connector: 1 x 4-pin CPU fan connector; 1 x 3-pin system fan connector
- ◆ Power Supply: Single voltage 12V DC input (1 x external 4-pin DIN DC jack); 1 x internal 2x2-pin power connector (Supports AT/ATX mode)
- ◆ Power Consumption: 12W@6.08A (2.3GHz Intel® Core™ i7-3610QE with two 1333 MHz 4GB DDR3 memory running 3DMark06 burn in)
- ◆ Operating Temperature: -10°C ~ 60°C
- ◆ Storage Temperature: -20°C ~ 70°C
- ◆ Operating Humidity: 5% ~ 95%, non-condensing
- ◆ Dimensions: 170 mm x 170 mm
- ◆ Weight: GW: 900g/NW: 450g

Dimensions (Unit: mm)



Packing List

1 x KINO-QM770 single board computer	
2 x SATA with power output cable (P/N: 32801-000100-300-RS)	
1 x RS-232 cable with bracket (P/N: 19800-000300-100-RS)	
1 x I/O shielding (P/N: 45014-0037C0-00-RS)	
1 x One Key Recovery CD	1 x Mini jumper pack
1 x Utility CD	1 x QIG (Quick Installation Guide)

Ordering Information

Part No.	Description
KINO-QM770-R10	Mini-ITX SBC with Socket G2 for Intel® 22nm mobile CPU, DVI-I/dual HDMI/LVDS, dual PCIe GbE, USB 3.0, PCIe Mini, SATA 6Gb/s and Audio
19800-003100-300-RS	Dual USB cable
32000-023800-RS	KB/MS Y cable
SACF-KIT01-R10	SATA to CF converter board
CF-989A-RS-R12	CPU cooler for mobile socket-G (PGA988) up to 55W processor, copper, 60 x 60 x 27.6mm, RoHS
TPM-IN01-R11	20-pin Infineon TPM module, software management tool, firmware V3.17
32205-003800-300-RS	RS-422/485 cable with bracket
33200-000031-RS	DVI-I to VGA adapter connector